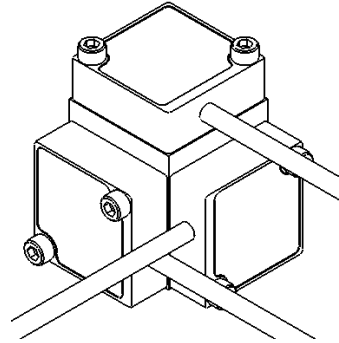
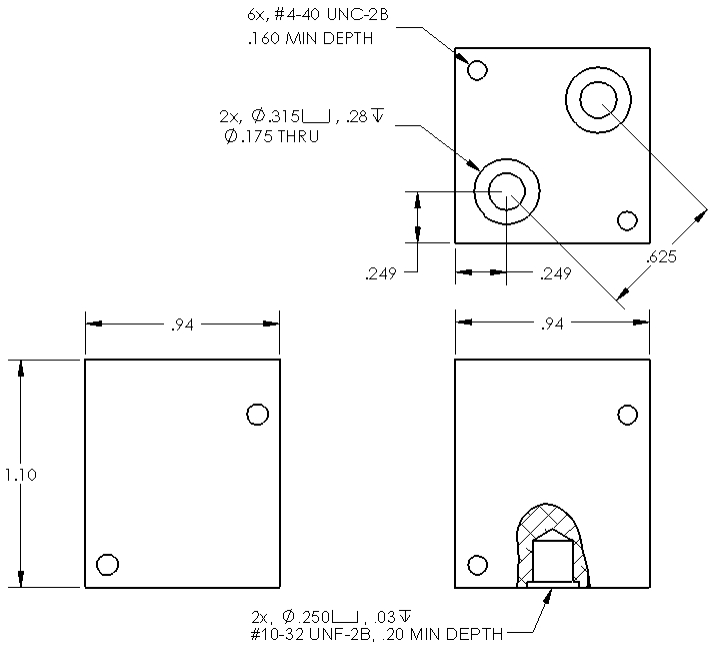


# Triaxial Mounting Blocks

**Model: AC-D02652**

**Used with Accelerometers: 4000A, 4001A, 4002, 4807A**

**Material: Aluminum, Anodized**



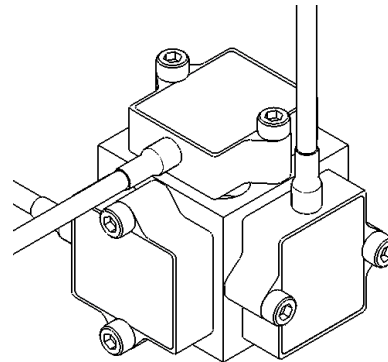
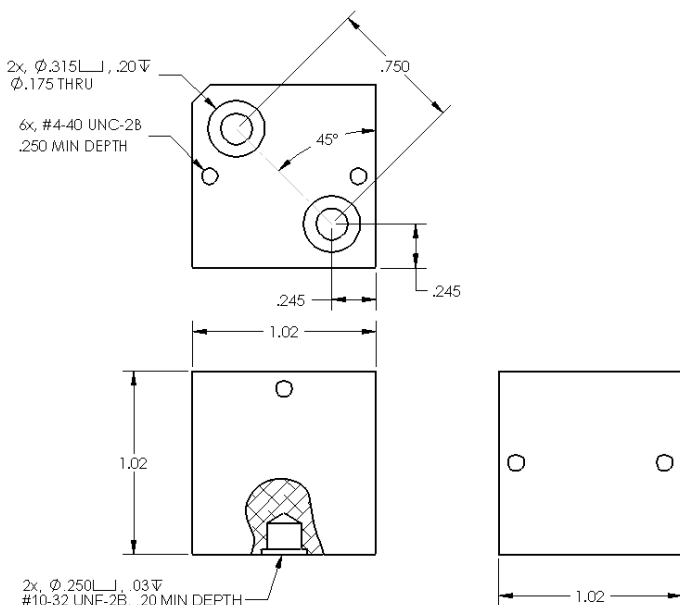
Mounting screws supplied with the triaxial block.

- M4x0.7, 25mm length (2pcs)
- #8-36, 1.0inch length (2pcs)

**Model: AC-D02669**

**Used with Accelerometers: 201, 4600, 4602, 4604, 4605, 4610, 4810A**

**Material: Aluminum, Anodized**



Mounting screws supplied with the triaxial block.

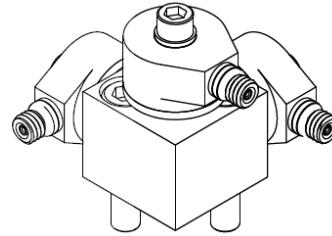
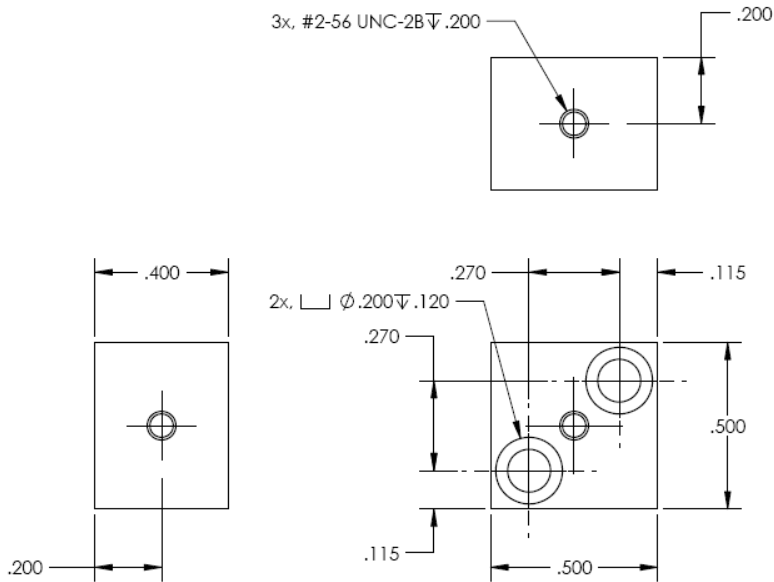
- M4x0.7, 25mm length (2pcs)
- #8-36, 1.0inch length (2pcs)

# Triaxial Mounting Blocks

**Model: AC-A04018**

**Used with Accelerometers: 7101A, 7501A**

**Material: Aluminum, Anodized**



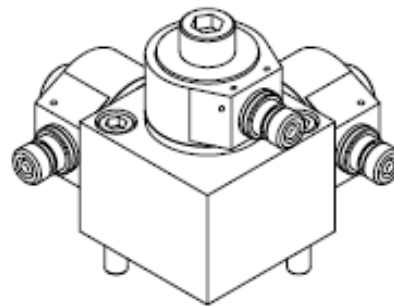
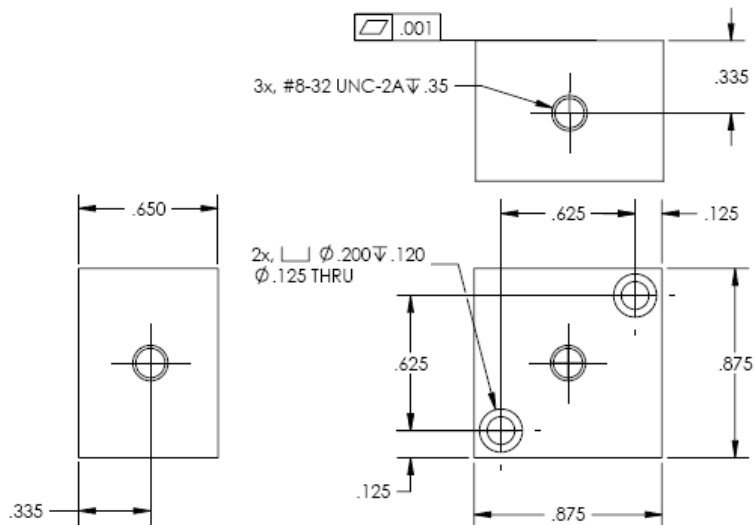
Mounting screws supplied with the triaxial block.

- M3x0.5, 14mm length (2pcs)
- #4-40, 1/2 inch length (2pcs)

**Model: AC-A03389**

**Used with Accelerometers: 7100A, 7500A**

**Material: Aluminum, Anodized**

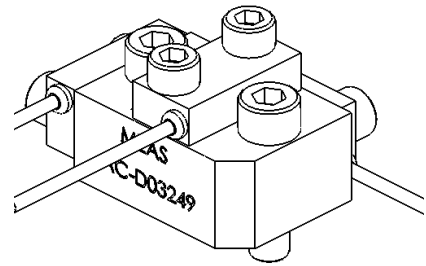
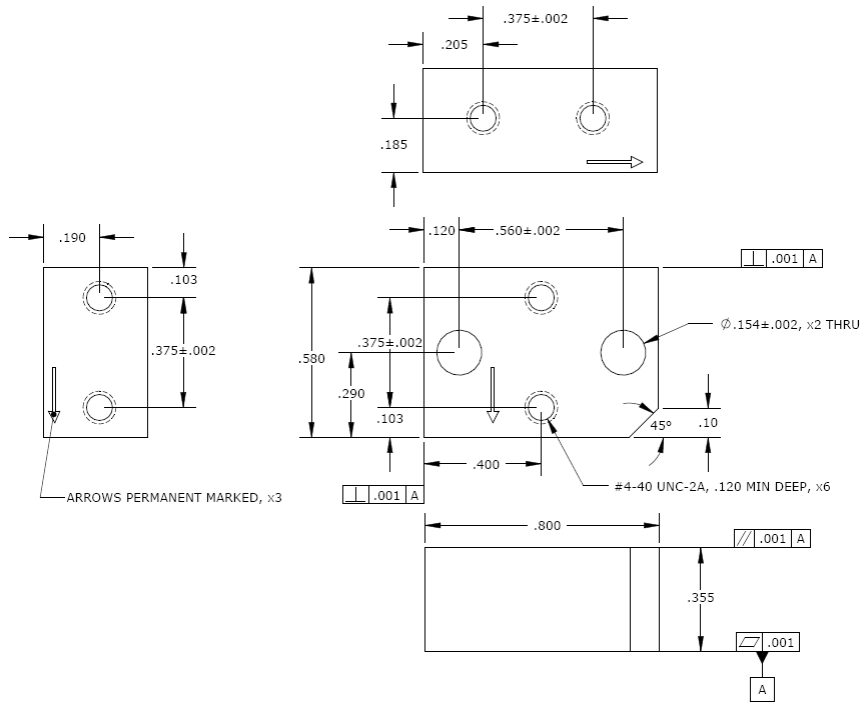


Mounting screws supplied with the triaxial block.

- M3x0.5, 20mm length (2pcs)
- #4-40, 3/4 inch length (2pcs)

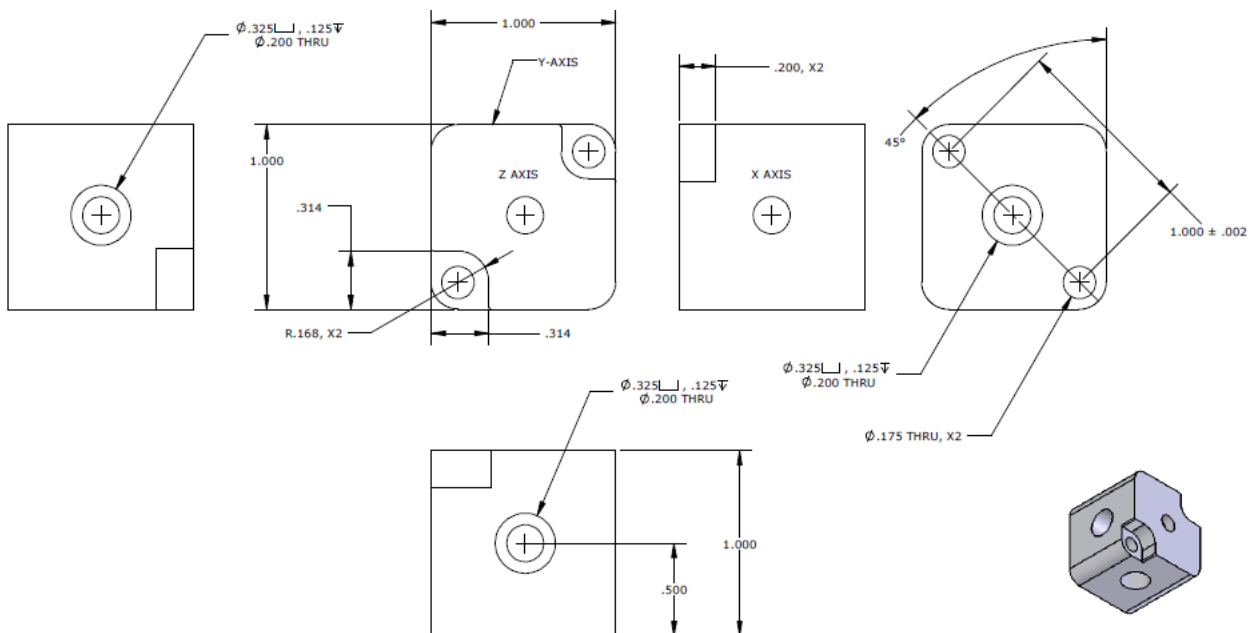
# Triaxial Mounting Blocks

**Model: AC-D03249**  
**Used with Accelerometers: 3700, 3701**  
**Material: Titanium**



Mounting screws supplied with the triaxial block.  
 - #6-32, 1/2 inch length (2pcs)

**Model: AC-D04716**  
**Used with Accelerometers: 3801A, 4801A, 7114A, 7514A**  
**Material: Aluminum, Anodized**



# Triaxial Mounting Blocks

**Model: MTG-A1 & MTG-A1M**

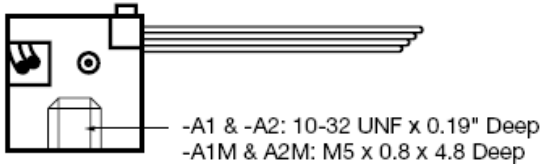
**Used with Accelerometers: EGA, EGAX, EGAXT-500 to -2500**

**Material: Stainless Steel**



MTG-A1 & -A1M: 12.7 (.50") x 12.7 (.50") x 12.7 (.50")  
 MTG-A2 & -A2M: 13.6 (.535") x 13.6 (.535") x 13.6 (.535")

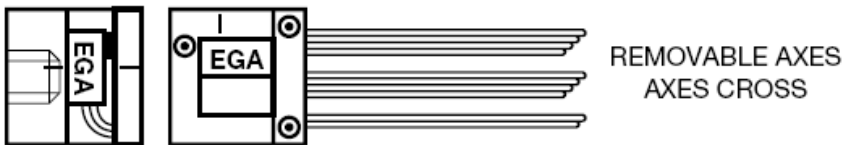
Shown here with  
3 EGA  
Accelerometers  
mounted



**Model: MTG-A2 & MTG-A2M**

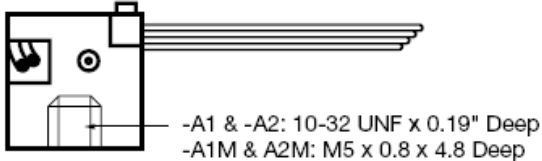
**Used with Accelerometers: EGA, EGAX, EGAXT-5 to -250**

**Material: Stainless Steel**



MTG-A1 & -A1M: 12.7 (.50") x 12.7 (.50") x 12.7 (.50")  
 MTG-A2 & -A2M: 13.6 (.535") x 13.6 (.535") x 13.6 (.535")

Shown here with  
3 EGA  
Accelerometers  
mounted

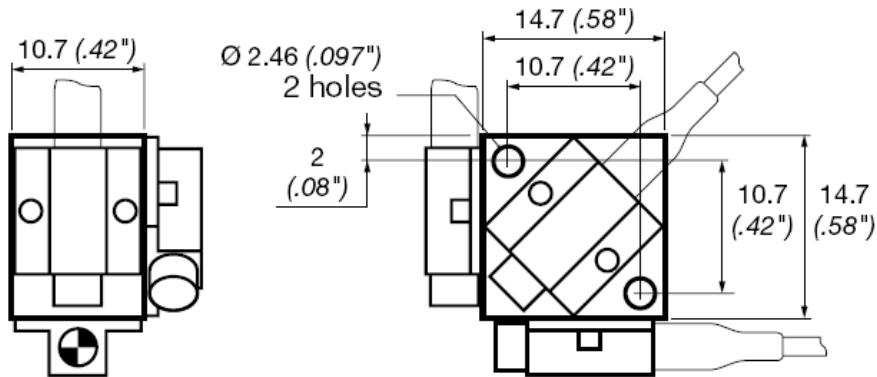


# Triaxial Mounting Blocks

**Model: MTG-E2**

**Used with Accelerometers: 40A, 64, 64C, 64D**

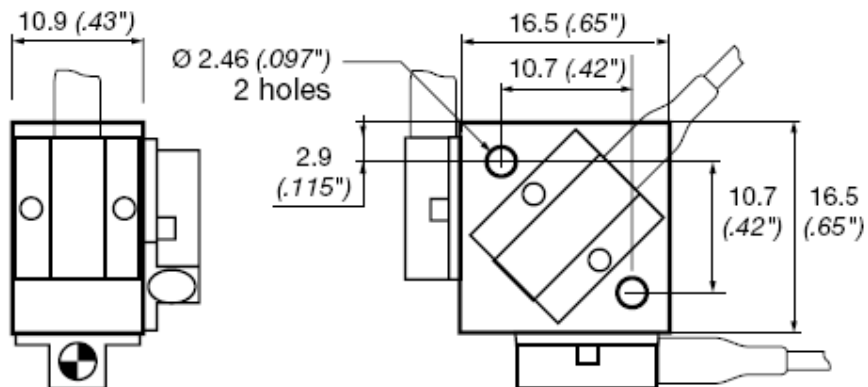
**Material: Aluminum, Anodized**



**Model: MTG-E4**

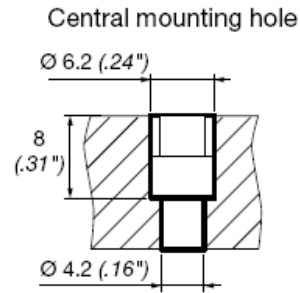
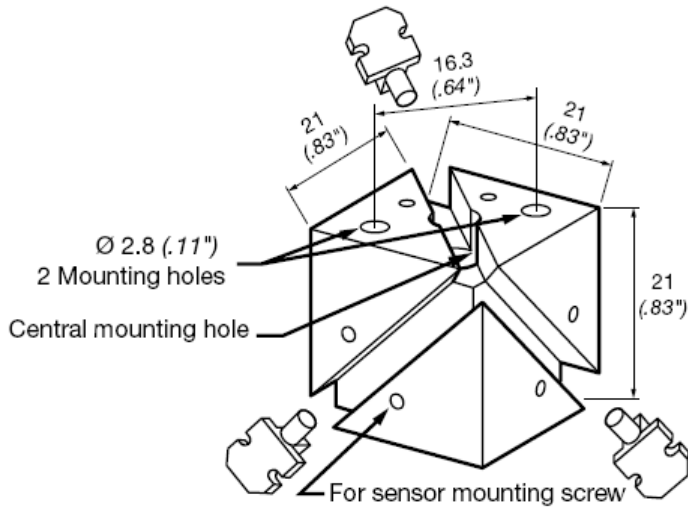
**Used with Accelerometers: 40B, 64B**

**Material: Aluminum, Anodized**

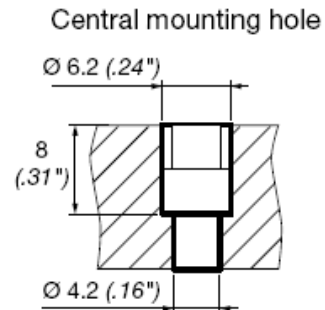
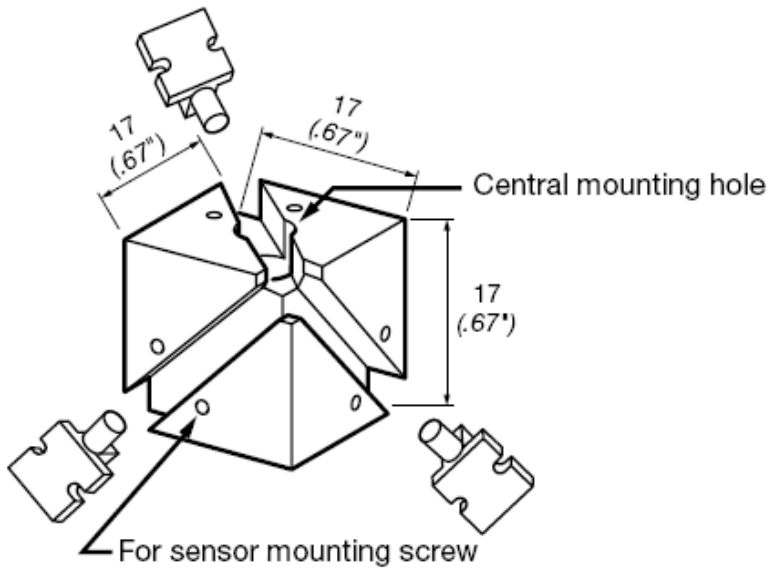


# Triaxial Mounting Blocks

**Model: MTG-F2**  
**Used with Accelerometers: EGAS-FS & EGAS-FT**  
**Material: Aluminum, Anodized**

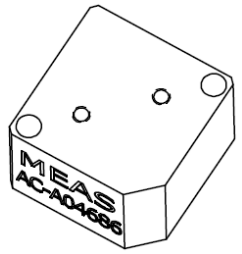
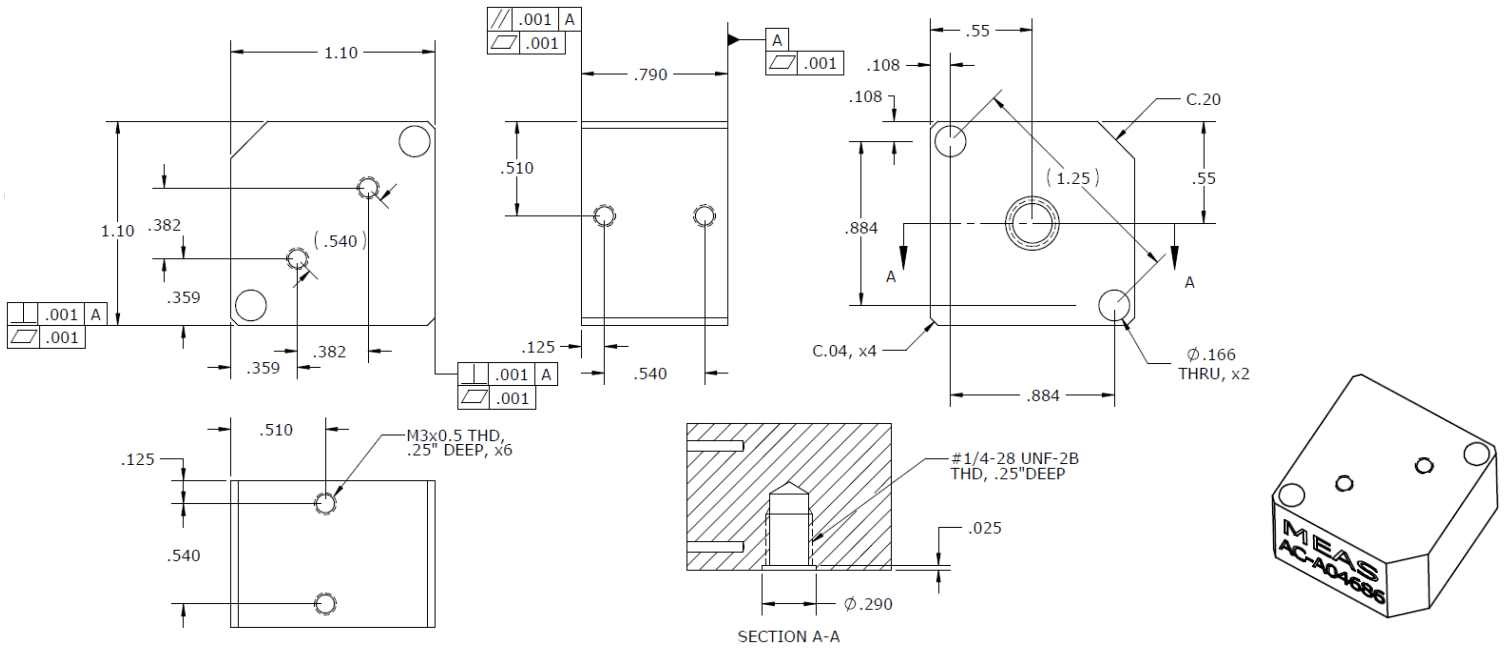


**Model: MTG-F3**  
**Used with Accelerometers: EGAS-F**  
**Material: Aluminum, Anodized**



# Triaxial Mounting Blocks

**Model: AC-A04686**  
**Used with Accelerometers: 1207F, 1210F, EGCS-D0**  
**Material: Aluminum, Anodized**



---

## ORDERING

---

### NORTH AMERICA

**Measurement Specialties, Inc.**  
1000 Lucas Way  
Hampton, VA 23666  
USA  
**Sales and Customer Service**  
Tel: +1-800-745-8008 or  
+1-757-766-1500  
Fax: +1-757-766-4297  
[t&m@meas-spec.com](mailto:t&m@meas-spec.com)

### EUROPE

**Measurement Specialties  
(Europe) Ltd.**  
26 Rue des Dames  
F78340 Les Clayes-sous-Bois  
France  
**Sales and Customer Service**  
Tel: +33 (0) 1 79 33 00  
Fax: +33(0)1 34 81 03 59  
[t&m@meas-spec.com](mailto:t&m@meas-spec.com)

### ASIA

**Measurement Specialties  
(China), Ltd.**  
No. 26 Langshan Road  
Shenzhen High-Tech Park (North)  
Nanshan District  
Shenzhen, China 518057  
**Sales and Customer Service**  
Tel: +86 755 3330 5088  
Fax: +86 755 3330 5099  
[t&m@meas-spec.com](mailto:t&m@meas-spec.com)

The information in this sheet has been carefully reviewed and is believed to be accurate; however, no responsibility is assumed for inaccuracies. Furthermore, this information does not convey to the purchaser of such devices any license under the patent rights to the manufacturer. Measurement Specialties, Inc. reserves the right to make changes without further notice to any product herein. Measurement Specialties, Inc. makes no warranty, representation or guarantee regarding the suitability of its product for any particular purpose, nor does Measurement Specialties, Inc. assume any liability arising out of the application or use of any product or circuit and specifically disclaims any and all liability, including without limitation consequential or incidental damages. Typical parameters can and do vary in different applications. All operating parameters must be validated for each customer application by customer's technical experts. Measurement Specialties, Inc. does not convey any license under its patent rights nor the rights of others.