



T24-SO

mantracourt

Wireless Interface with ASCII Serial Output



Introduction

The T24-SO outputs a user defined ASCII report that can contain live values and sum of up to eight T24 transmitters and forms part of the T24 modular telemetry system.

The data sent by transmitter modules can be utilised by multiple receivers such as displays, handheld readers, analogue outputs, relay modules and computer interfaces. Receivers support common industrial power supplies and are available in robust IP rated enclosures with internal antennas optimised to give outstanding coverage.

The T24-SO supports RS232 and RS485 connectivity.

The T24 Toolkit software offers a fast and simple way to configure the report format and to choose the associated transmitter modules. The reports could be just a single line giving a value to be fed into a serial display, for example, or could be a multi-line report for delivery to a printer.

Product Features

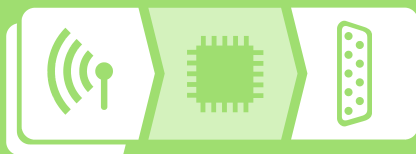
- ASCII serial output
- Serial output to printer, display, PC or PLC
- Simple configuration and calibration
- Wireless range of up to 800 m

T24 System Overview



T24 Wireless Telemetry Sensor System is a modular wireless solution for industrial sensor applications.

High accuracy, high quality measurement is interfaced with simple yet powerful configuration and monitoring software.



Specifications

Power Supply

Power supply voltage	9 to 32 Vdc
Supply current at 12V (typical)	100 mA

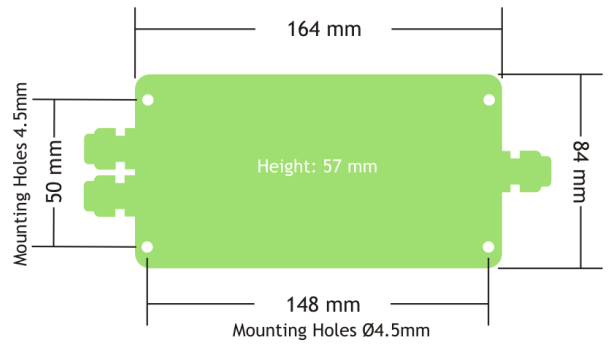
Radio

Radio type	Licence exempt transceiver
Radio frequency	2.4 GHz
Transmit power	10 mW
Range	Up to 800 m

Environmental

Operating temperature range	-20 to 55 °C
Storage temperature range	-40 to 85 °C
Maximum humidity	95% non-condensing
IP rating (excluding USB connector)	IP67/Nema4

Mechanical



Electrical



Order Codes

T24-SO

Wireless interface with ASCII serial output in IP67 enclosure

Mantracourt Electronics Ltd
The Drive, Farringdon
Exeter, Devon, UK
EX5 2JB

Tel: +44 (0)1395 232020
Email: sales@mantracourt.com
mantracourt.com



Distribuidor

Brasil e América do Sul

CONTATO

Endereço

Rua Sete de Setembro, 2656 - Centro
13560-181 - São Carlos - SP - Brasil

Telefone

+ 55 (16) 3371-0112
+ 55 (16) 3372-7800

Internet

www.metrolog.net
metrolog@metrolog.net

