



## Specifications

### Power Relay Outputs

Number of power relays	2
Type of relay	SPCO
Contact rating	5 A @ 240 Vac

### Alarm Relay Output

Number of alarm relays	1
Type of relay	SPCO
Contact rating	1 A @ 24 Vdc

### Digital inputs

Number of digital inputs	3
Type of input	volt free contact

### Power Supply

Power supply voltage	9 to 32 Vdc
Supply current at 12V (typical)	150 mA

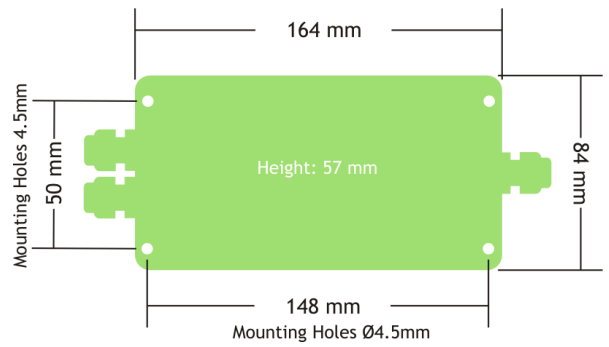
### Radio

Radio type	Licence exempt transceiver
Radio frequency	2.4 GHz
Transmit power	10 mW
Range	Up to 800 m

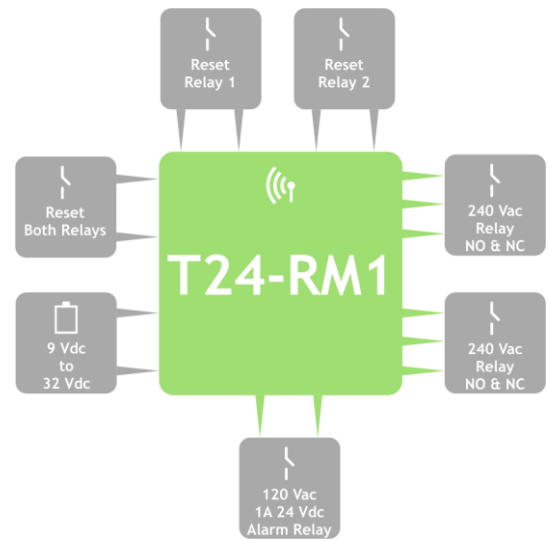
### Environmental

Operating temperature range	-20 to 55 °C
Storage temperature range	-40 to 85 °C
Maximum humidity	95% non-condensing
IP rating	IP67/Nema4

## Mechanical



## Electrical



## Order Codes

### T24-RM1

Wireless relay output receiver module in IP67 enclosure

Mantracourt Electronics Ltd  
The Drive, Farringdon  
Exeter, Devon, UK  
EX5 2JB

Tel: +44 (0)1395 232020  
Email: sales@mantracourt.com  
mantracourt.com



## Distribuidor

**Brasil e América do Sul**

### CONTATO

#### Endereço

Rua Sete de Setembro, 2656 - Centro  
13560-181 - São Carlos - SP - Brasil

#### Telefone

+ 55 (16) 3371-0112  
+ 55 (16) 3372-7800

#### Internet

[www.metrolog.net](http://www.metrolog.net)  
[metrolog@metrolog.net](mailto:metrolog@metrolog.net)

