



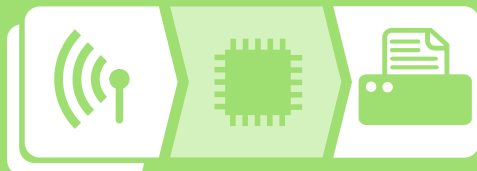
T24-PR1

Wireless Printer Module



Product Features

- Prints screen from the handheld T24-HA
- Simple design (F1 button)
- User definable reports/print outs
- Suitable for vehicle applications



Introduction

The T24-PR1 is a thermal printer module that can generate a user defined ticket that can contain live values and sum of up to eight T24 transmitters and forms part of the T24 modular telemetry system.

The data sent by transmitter modules can be utilised by multiple receivers such as displays, handheld readers, analogue outputs, relay modules and computer interfaces. Receivers support common industrial power supplies with internal antennas optimised to give outstanding coverage.

The printout can be triggered from the arrival of data from a specific module or alternatively by a handheld module. The T24 Toolkit software offers a fast and simple way to configure the ticket format and to choose the associated transmitter modules.

T24 System Overview



T24 Wireless Telemetry Sensor System is a modular wireless solution for industrial sensor applications.

High accuracy, high quality measurement is interfaced with simple yet powerful configuration and monitoring software.

Specifications

Printer

Printing method	Direct Thermal Line printing
Paper width	57 mm
Paper roll diameter	35 mm
Print width	48 mm

Power Supply

Power supply voltage	9 to 32 Vdc
Supply current when idle	100 mA
Supply current when printing (peak)	3 A

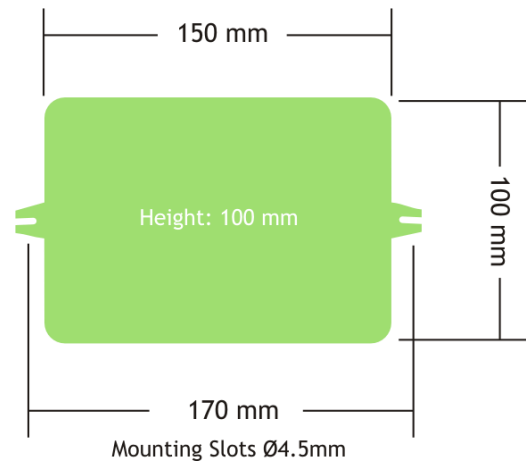
Radio

Radio type	Licence exempt transceiver
Radio frequency	2.4 GHz
Transmit power	10 mW
Range	Up to 800 m

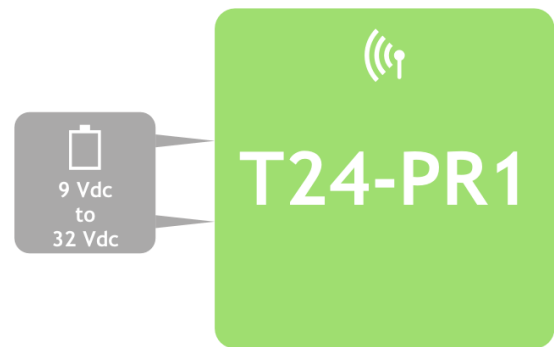
Environmental

Operating temperature range	5 to 50 °C
Storage temperature range	-20 to 60 °C
Maximum humidity	95% non- condensing
IP rating (excluding USB connector)	IP20

Mechanical



Electrical



Order Codes

T24-PR1

Wireless printer module

Mantracourt Electronics Ltd Tel: +44 (0)1395 232020
The Drive, Farringdon
Exeter, Devon, UK
EX5 2JB
Email: sales@mantracourt.com
mantracourt.com



Distribuidor

Brasil e América do Sul

CONTATO

Endereço

Rua Sete de Setembro, 2656 - Centro
13560-181 - São Carlos - SP - Brasil

Telefone

+ 55 (16) 3371-0112
+ 55 (16) 3372-7800

Internet

www.metrolog.net
metrolog@metrolog.net

