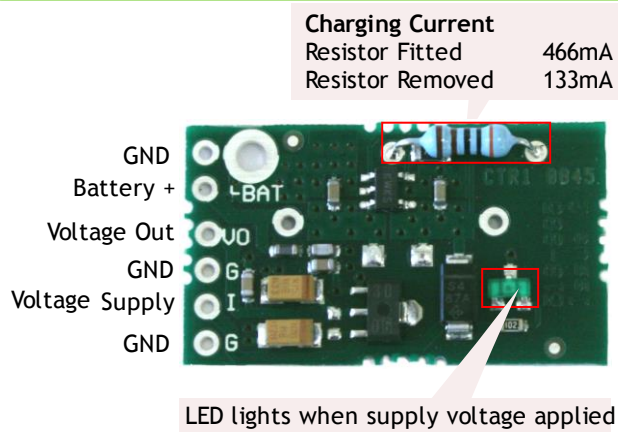


Power Supply Modules

Lithium Ion /Polymer Module T24-BC1

The T24-BC1 is a battery charger and power supply suitable for the T24 range of 3V acquisition modules. The T24 Battery Charger is designed to supply a constant 3.3V from a Li-ion Battery while also charging the battery from an input voltage. The unit comes pre-configured to provide a charging current of 466mA suitable for VARTA LIP653450. This module also supports additional batteries providing a charge current of 133mA via the removal of the leaded resistor (non surface mount).

Physical Connections



Specification

Parameter	Min	Typical	Max	Units
Supply Voltage	4.1	5	6	V
Regulated Voltage Output	-	3.3	-	V
Battery Positive Connection	-	3.7	-	V
Max Cable Length	-	-	150*	mm
Quiescent Current	-	1.7	-	µA

* 07/02 gauge wire attached to maximum load i.e. T24-SA with four 350 Ohm strain gauges

Note LED will only be lit when an input voltage is applied

In the interests of continued product development, Mantracourt Electronics Limited reserves the right to alter product specifications without prior notice.

Distribuidor

Brasil e América do Sul

CONTATO

Endereço

Rua Sete de Setembro, 2656 - Centro
13560-181 - São Carlos - SP - Brasil

Telefone

+ 55 (16) 3371-0112
+ 55 (16) 3372-7800

Internet

www.metrolog.net
metrolog@metrolog.net

