



T24-AR

mantracourt

Wireless Repeater Module



Introduction

The T24-AR is a repeater which will allow the T24 telemetry system modules to span around obstacles, increase range and coverage by retransmitting received messages.

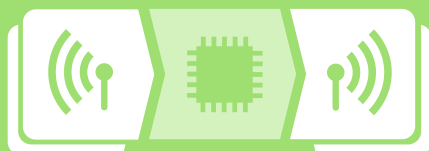
The data sent by transmitter modules can be utilised by multiple receivers such as displays, handheld readers, analogue outputs, relay modules and computer interfaces. Receivers support common industrial power supplies and are available in robust IP rated enclosures with internal antennas optimised to give outstanding coverage.

The T24-AR is housed in an IP67 rated enclosure which accepts two D batteries as well as an external power supply. The repeater enables messages to be repeated **once** so therefore extends the achievable wireless range. Adding further repeaters to the system will increase coverage but will not further increase the range.

Product Features

- Extends and enhances range of T24 devices
- Allows communication around obstacles
- Improves propagation of signal

T24 System Overview



T24 Wireless Telemetry Sensor System is a modular wireless solution for industrial sensor applications.

High accuracy, high quality measurement is interfaced with simple yet powerful configuration and monitoring software.

Specifications

Battery Life

Pair DD Cells. AR permanently activated 240 hours

Power Supply

Internal batteries (D cells) 2.1 to 3.6 Vdc

External power supply 5 to 18 Vdc

Radio

Radio type Licence exempt transceiver

Radio frequency 2.4 GHz

Transmit power 10 mW

Range Up to 800 m

Environmental

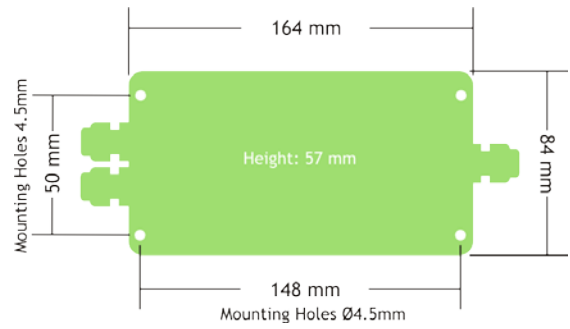
Operating temperature range -20 to 55 °C

Storage temperature range (no batteries) -40 to 85 °C

Maximum humidity 95% non-condensing

IP rating (ACM and ACMi) IP67/Nema4

Mechanical



Electrical



Order Codes

T24-AR

Wireless repeater module

Mantracourt Electronics Ltd
The Drive, Farringdon
Exeter, Devon, UK
EX5 2JB

Tel: +44 (0)1395 232020
Email: sales@mantracourt.com
mantracourt.com



Distribuidor

Brasil e América do Sul

CONTATO

Endereço

Rua Sete de Setembro, 2656 - Centro
13560-181 - São Carlos - SP - Brasil

Telefone

+ 55 (16) 3371-0112
+ 55 (16) 3372-7800

Internet

www.metrolog.net
metrolog@metrolog.net

