



T24-ACMm & T24-BB1

Acquisition Connectivity Module
And Battery Box

User Manual
mantracourt.com

ME mantracourt
Wireless Telemetry Range 2.4Ghz

Introduction / Overview	2
Getting Started	2
Opening the Case	2
Connecting Power	2
LED Indicator	2
Connecting T24-BB1 to T24-ACMm.....	3
Connecting Input Signals to T24-ACMm	3
Using Completion Resistors With T24-ACMM-SA / SAF	4
Full Bridge.....	4
Half Bridge	5
Quarter Bridge.....	5
Specifications	5
General Radio	5
T24-ACMm	5
Approvals	6
CE	6
FCC	6
Industry Canada	7
OEM / Reseller Marking and Documentation Requirements	7
FCC	7
IC	7
CE	7
Declaration of Conformity	9
Worldwide Regional Approvals	10
Warranty	10

Introduction / Overview

The T24-ACMm provides a convenient way to connect to one of the range of T24 acquisition modules. The T24-ACMm also includes an LED for indicating when the device is transmitting.

The T24-BB1 provides 3V DC power to the T24-ACMm via a pair of 'AAA' cells.

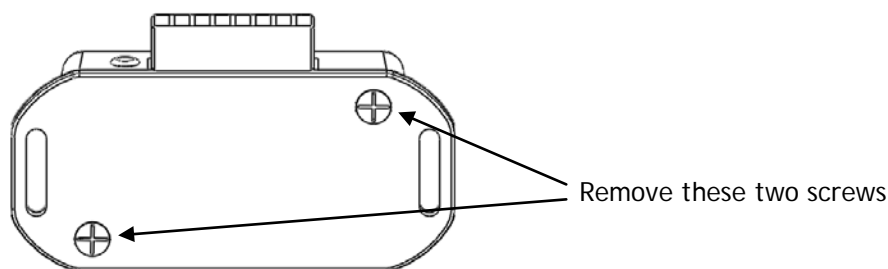
Connecting an input to the acquisition module is also made easier by utilising 2 part screw terminals.

Getting Started

The T24-ACMm requires that the acquisition module is factory fitted therefore this requires specifying at the time of ordering.

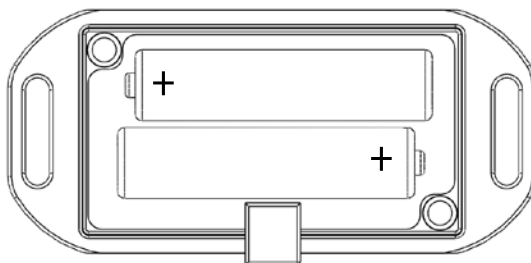
Opening the Case

The case lid is secured with 2 x Philips head screws, remove the screws and the case will come apart.



Connecting Power

Power is supplied by fitting 2 X 'AAA' cell 1.5 Volt batteries as directed inside the T24-BB1



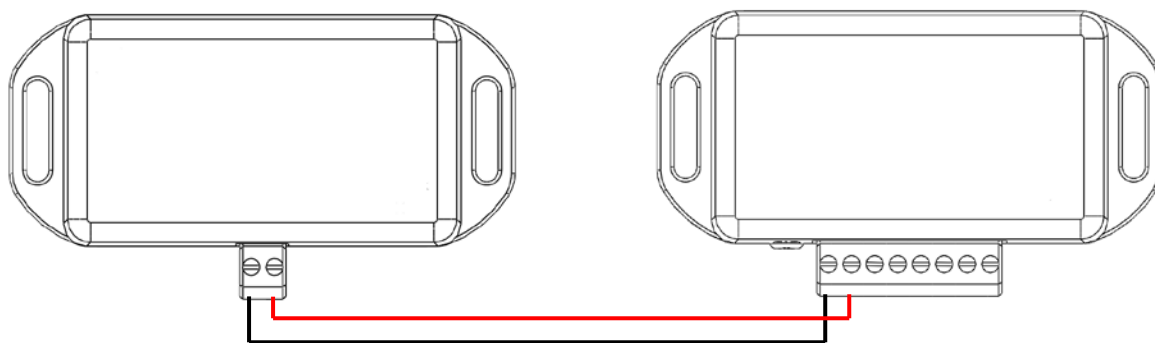
Note there is no reverse polarity protection on the T24-BB1.

LED Indicator

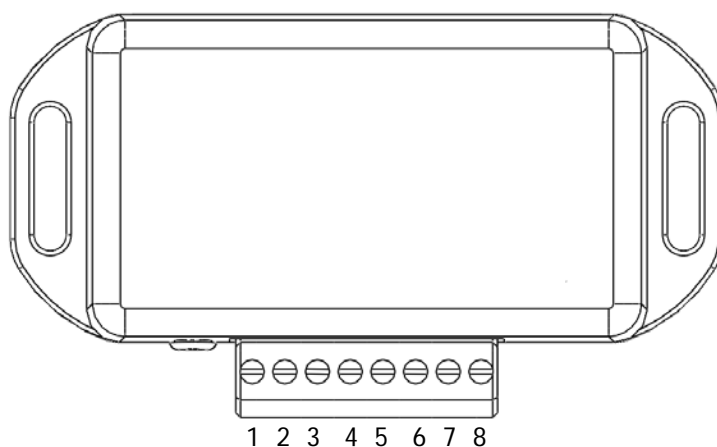
The T24-ACMm is fitted with an LED to provide a visual indication of data transmission from the acquisition module inside. The LED flashes when a data transmission occurs.



Connecting T24-BB1 to T24-ACMm



Connecting Input Signals to T24-ACMm



The connection of the input signals is dependent on what type of acquisition module is fitted. Please refer to the table below. There may be additional input wiring requirements so please refer to the acquisition module manual.

Acquisition Module	Screw Terminal	Function
T24-ACMM-SA, T24-ACMM-SAF	5	-Excitation
	6	-Signal
	7	+Signal
	8	+5V Excitation

Acquisition Module	Screw Terminal	Function
T24-ACMM-VA (0-10V)	5	-Excitation
	6	-V in
	7	+V in
	8	+5V Excitation

Acquisition Module	Screw Terminal	Function
T24-ACMM-IA (0-20mA 4-20mA Calibrated)	5	-Excitation
	6	-I in
	7	+I in
	8	+5V Excitation

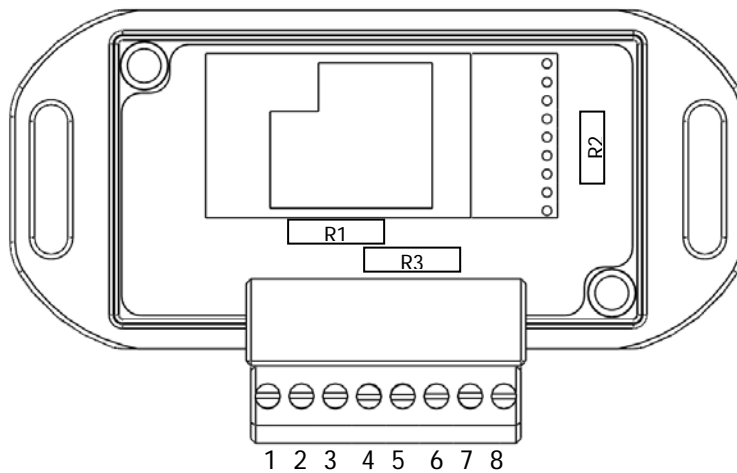
Acquisition Module	Screw Terminal	Function
T24-ACMM-PA Pulse Input (0.5 - 3,000 Hz)	5	-Excitation (GND)
	6	+Not Connected
	7	-Pulse In
	8	+5V Excitation

Acquisition Module	Screw Terminal	Function
T24-ACMM-RA Potentiometer Input (500 - 100,000 Ohms)	5	-Excitation
	6	Not Connected
	7	+Input
	8	+2V5 Excitation

Acquisition Module	Screw Terminal	Function
T24-ACMM-TA PT100 Input (-200 - 500°C)	5	-Drive
	6	-Sense
	7	+Sense
	8	+Drive

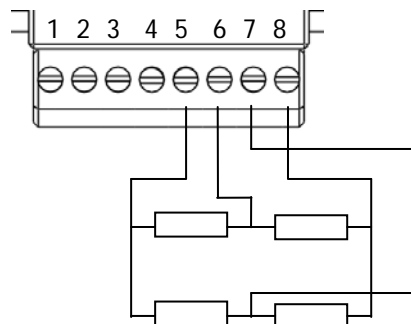
Using Completion Resistors With T24-ACMM-SA / SAF

The T24-ACMm has the option for users to add up to three completion resistors, these can be used to enable the T24-ACMm to accept half and quarter bridge strain input when a T24-SA (Strain Acquisition) module is fitted. The three completion resistors are located as shown below:

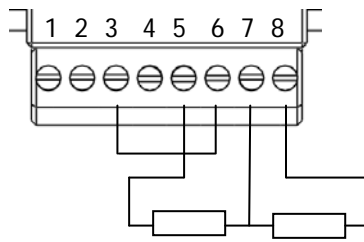


If using a half bridge only R1 and R2 need to be fitted, we recommend low drift precision resistors to ensure reading stability typically 0.1% 5ppm/°C. If using a quarter bridge R1,R2 and R3 must be fitted, R3 must be the same resistance as the single gauge being used in the quarter bridge. The diagram below shows how you should wire for full, half and quarter bridge configurations.

Full Bridge

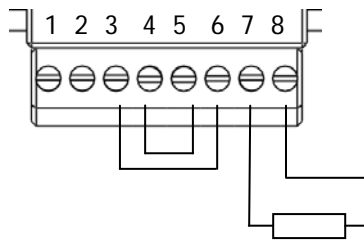


Half Bridge

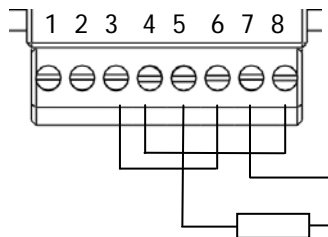


Quarter Bridge

High Reference



Low Reference



Specifications

General Radio

	Min	Typical	Max	Units
License		License Exempt		
Modulation method		MS (QPSK)		
Radio type		Transceiver (2 way)		
Data rate		250		K bits/sec
Radio Frequency	2.4000		2.4835	GHz
Power		1		mw
Range			100 (325)	Metres (feet) *
Channels (DSSS)		16		

* Maximum range achieved in open field site at a height of 3 metres above ground.

T24-ACMm

Parameter	Minimum	Typical	Maximum	Units
Battery Supply Voltage	2.1	3	3.6	V DC
Operating Temperature Range*	-40	-	+85**	°C
Storage Temperature Range	-40	-	+85	°C
Environmental protection		IP50		

**Batteries used may have reduced operating temperature range.

The specifications for the actual fitted acquisition module are listed in the acquisition module manual.

Approvals

CE



Complies with EMC directive. 2004/108/EC
The Radio Equipment and Telecommunications Terminal Equipment (R&TTE) Directive,
1999/5/EC,

European Community, Switzerland, Norway, Iceland, and Liechtenstein

- English: This equipment is in compliance with the essential requirements and other relevant provisions of Directive 1999/5/EC.
- Deutsch: Dieses Gerät entspricht den grundlegenden Anforderungen und den weiteren entsprechenden Vorgaben der Richtlinie 1999/5/EU.
- Dansk: Dette udstyr er i overensstemmelse med de væsentlige krav og andre relevante bestemmelser i Direktiv 1999/5/EF.
- Español: Este equipo cumple con los requisitos esenciales así como con otras disposiciones de la Directiva 1999/5/EC.
- Français: Cet appareil est conforme aux exigences essentielles et aux autres dispositions pertinentes de la Directive 1999/5/EC.
- Íslenska: Þessi búnaður samrýmist lögboðnum kröfum og öðrum ákvæðum tilskipunar 1999/5/ESB.
- Italiano: Questo apparato è conforme ai requisiti essenziali ed agli altri principi sanciti dalla Direttiva 1999/5/EC.
- Nederlands: Deze apparatuur voldoet aan de belangrijkste eisen en andere voorzieningen van richtlijn 1999/5/EC.
- Norsk: Dette utstyret er i samsvar med de grunnleggende krav og andre relevante bestemmelser i EU-direktiv 1999/5/EC.
- Português: Este equipamento satisfaz os requisitos essenciais e outras provisões da Directiva 1999/5/EC.
- Suomalainen: Tämä laite täyttää direktiivin 1999/5/EY oleelliset vaatimukset ja on siinä asetettujen muidenkin ehtojen mukainen.
- Svenska: Denna utrustning är i överensstämmelse med de väsentliga kraven och andra relevanta bestämmelser i Direktiv 1999/5/EC.

This equipment is in compliance with the essential requirements and other relevant provisions of Directive 1999/5/EC.

FCC



Family: RAD24

Models: i and e for internal and external antenna variants. For antenna T24-ANTA and T24-ANTB

FCC ID:VHARAD24

This device complies with Part 15c of the FCC Rules. Operation is subject to the following two conditions: (1) this device may not cause harmful interference, and (2) this device must accept any interference received, including interference that may cause undesired operation.

CAUTION: If the device is changed or modified without permission from Mantracourt Electronics Ltd, the user may void his or her authority to operate the equipment.

Industry Canada



Models: i and e for internal and external antenna variants. For antenna T24-ANTA and T24-ANTB
IC:7224A-RAD24

This apparatus complies with RSS-210 - Low-power Licence-exempt Radio communication Devices (All Frequency Bands): Category I Equipment RSS.

OEM / Reseller Marking and Documentation Requirements

FCC

The Original Equipment Manufacturer (OEM) must ensure that FCC labelling requirements are met. This includes a clearly visible label on the outside of the final product enclosure that displays the contents as shown:

Contains FCC ID:VHARAD24

This device complies with Part 15 of the FCC Rules. Operation is subject to the following two conditions:

- (1) this device may not cause harmful interference and
- (2) this device must accept any interference received, including interference that may cause undesired operation.

The acquisition modules have been tested with T24-ANTA and T24-ANTB. When integrated in OEM products, fixed antennas require installation preventing end-users from replacing them with non-approved antennas. Antennas other than T24-ANTA and T24-ANTB must be tested to comply with FCC Section 15.203 (unique antenna connectors) and Section 15.247 (emissions).

Acquisition modules have been certified by the FCC for use with other products without any further certification (as per FCC section 2.1091). Changes or modifications not expressly approved by Mantracourt could void the user's authority to operate the equipment.

In order to fulfil the certification requirements, the OEM must comply with FCC regulations:

1. The system integrator must ensure that the text on the external label provided with this device is placed on the outside of the final product.
2. The acquisition modules with external antennas may be used only with Approved Antennas that have been tested by mantracourt.

IC

Labelling requirements for Industry Canada are similar to those of the FCC. A clearly visible label on the outside of the final product enclosure must display the following text:

Contains Model RAD24 Radio (2.4 GHz), IC:7224A-RAD24

Integrator is responsible for its product to comply with RSS-210 - Low-power Licence-exempt Radio communication Devices (All Frequency Bands): Category I Equipment RSS.

CE

The T24 series has been certified for several European countries.

If the acquisition module is incorporated into a product, the manufacturer must ensure compliance of the final product to the European harmonized EMC and low-voltage/safety standards. A Declaration of Conformity must be issued for each of these standards and kept on file as described in Annex II of the R&TTE Directive.

Furthermore, the manufacturer must maintain a copy of the T24 device user manual documentation and ensure the final product does not exceed the specified power ratings, antenna specifications, and/or installation requirements as specified in the user manual. If any of these specifications are exceeded in the final product, a submission must be made to a notified body for compliance testing to all required standards.

OEM Labelling Requirements

The 'CE' marking must be affixed to a visible location on the OEM product.



The CE mark shall consist of the initials “CE” taking the following form:

- If the CE marking is reduced or enlarged, the proportions given in the above graduated drawing must be respected.
- The CE marking must have a height of at least 5mm except where this is not possible on account of the nature of the apparatus.
- The CE marking must be affixed visibly, legibly, and indelibly.

Declaration of Conformity

We, Mantracourt Electronics Limited
The Drive
Farringdon
Exeter
Devon EX5 2JB

declare under our sole responsibility that our products in the **T24 Radio Telemetry Product Range** to which this declaration relates are in conformity with the appropriate standard EN 300 328 following the provisions of the Radio and Telecommunications Terminal Equipment Directive 1999/5/EC, FCC CFR Title 47 part 15c BS EN 61000-4-2 and BS EN 61000-4-3 following the provisions of the EMC Directive 2004/108/EC and Low Voltage Directive 2006/95/EC.

December 2007



Brett James
Development Manager
Mantracourt Electronics Limited.

FCC ID:VHARAD24



Worldwide Regional Approvals

Region	Product Conforms To
Europe	CE
USA	FCC
Canada	IC
Australia	To Be Determined
China	To Be Determined
Japan	To Be Determined

Important Note

Mantracourt does not list the entire set of standards that must be met for each country. Mantracourt customers assume full responsibility for learning and meeting the required guidelines for each country in their distribution market. For more information relating to European compliance of an OEM product incorporating the T24 range of modules, contact Mantracourt, or refer to the following web site: www.ero.dk

Warranty

All Telemetry products from Mantracourt Electronics Ltd., ('Mantracourt') are warranted against defective material and workmanship for a period of (1) one year from the date of dispatch.

If the 'Mantracourt' product you purchase appears to have a defect in material or workmanship or fails during normal use within the period, please contact your Distributor, who will assist you in resolving the problem. If it is necessary to return the product to 'Mantracourt' please include a note stating name, company, address, phone number and a detailed description of the problem. Also, please indicate if it is a warranty repair.

The sender is responsible for shipping charges, freight insurance and proper packaging to prevent breakage in transit.

'Mantracourt' warranty does not apply to defects resulting from action of the buyer such as mishandling, improper interfacing, operation outside of design limits, improper repair or unauthorised modification.

No other warranties are expressed or implied. 'Mantracourt' specifically disclaims any implied warranties of merchantability or fitness for a specific purpose. The remedies outlined above are the buyer's only remedies.

'Mantracourt' will not be liable for direct, indirect, special, incidental or consequential damages whether based on the contract, tort or other legal theory.

Any corrective maintenance required after the warranty period should be performed by 'Mantracourt' approved personnel only.



In the interests of continued product development, Mantracourt Electronics Limited reserves the right to alter product specifications without prior notice.

Distribuidor

Brasil e América do Sul

CONTATO

Endereço

Rua Sete de Setembro, 2656 - Centro
13560-181 - São Carlos - SP - Brasil

Telefone

+ 55 (16) 3371-0112
+ 55 (16) 3372-7800

Internet

www.metrolog.net
metrolog@metrolog.net

