

SR1E

Industrial Low Cost String Pot

Incremental Encoder Output Signal

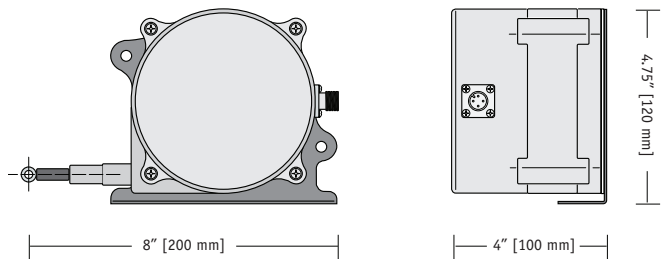
Linear Position Measurement up to 125 inches (3 meters)

Designed for Factory Use / Outdoor Environments



COMPLETE SPECIFICATIONS

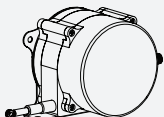
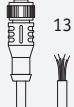
Full Stroke Range	125 inches (3175 mm)
Output Signal	incremental encoder
Accuracy	± .1% FS.
Repeatability	± .05% FS.
Resolution	101 ±2 pulses per inch
Input Voltage	5-30 VDC
Input Current	100 mA max., no load
Sensor	incremental encoder
Output Driver Type	push-pull (note: Vin = Vout)
Output Driver Current	20 mA max., source/sink
Maximum Velocity	80 inches (2 meters) per second
Maximum Acceleration	10 G (retraction)
Enclosure	polycarbonate
Measuring Cable	.034-inch dia. nylon-coated stainless
Electrical Connection	M12 Connector (mating plug included)
Environmental Suitability	NEMA 6, IP67
Operating Temperature	-4° to 185° F (-20° to 85° C)
Weight	2.5 lbs. (1.3 Kg)



The SR1E is rugged, low-cost, high performance string pot built to withstand wet environments and outdoor applications. Designed for construction equipment and factory use, the SR1E is the perfect low-cost solution for OEM and stocking distributors.

At the heart of this sensor is a robust incremental encoder that delivers a linear resolution of 101 pulses per inch. The SR1E ships with an industry standard push-pull encoder driver that can be powered by 5-30 VDC. (Other resolutions and complimentary channels are available, please consult factory.) Each sensor ships with an 4-pin M12 connector and an additional 13 ft. (4 m) cordset is available. Just like the rest of our SR1 series, the SR1E is in stock for quick delivery.

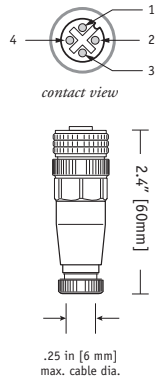
Ordering Information

part number	description
 SR1E-125	SR1E String Pot 125-inch Full Stroke Range 101 pulses per inch includes 4-pin M12 connector
 13 ft (4 m) 9036810-0040	Optional Cordset w/ 4-pin M12 connector

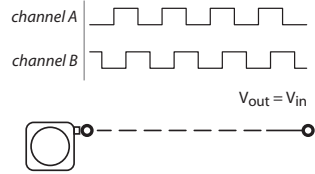
Consult factory for alternate resolution and differential output signals.

Electrical Connection

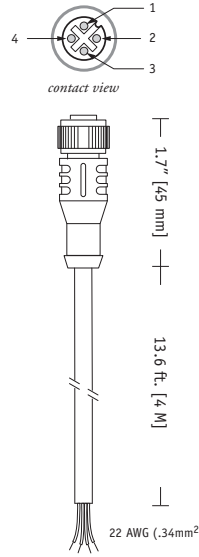
Field Installable Connector



pin	signal
1	5...30 VDC
2	common
3	channel A
4	channel B



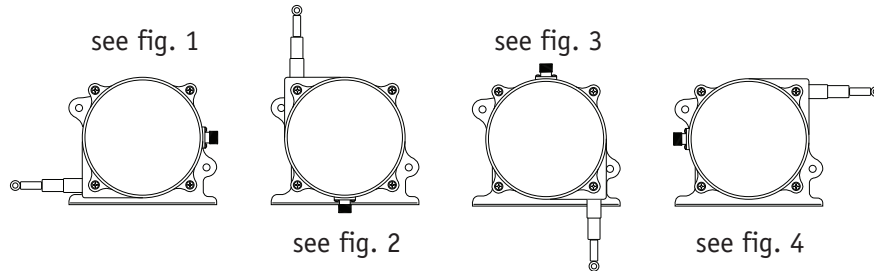
Cord Set Connections



pin	conductor	signal
1	brown	5...30 VDC
2	white	common
3	blue	channel A
4	black	channel B

cable specifications	
length:	13 ft. (4m)
wire size:	22 AWG (.34mm ²)
cable material:	PVC
cable color:	gray

Measuring Cable Exit Direction Options



Changing the Measuring Cable Exit and Electrical Connector Direction

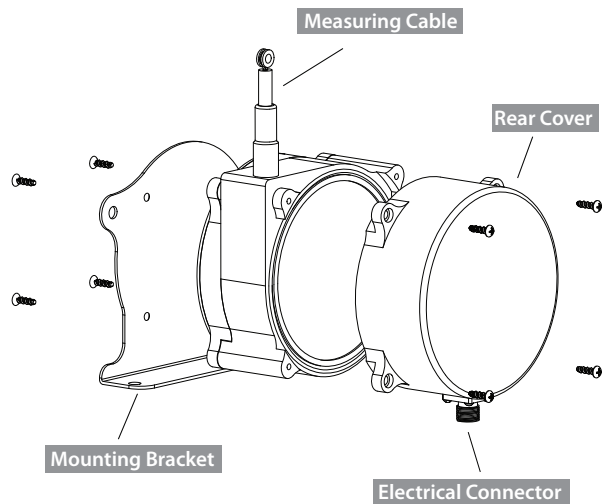
Changing Measuring Cable Exit

To change the direction of the measuring cable, remove the 4 mounting bracket screws and rotate bracket to one of four available positions. See figures 1 - 4 on the following pages for mounting dimensions.

Changing Electrical Connector Direction

To change the position of the electrical connector, remove the 4 rear cover screws and carefully separate rear cover from the sensor body.

Rotate the rear cover to desired position being careful to not tangle the wiring harness that runs to the connector.



Outline Drawings

Fig. 1 - "Front" Cable Exit Direction (as shipped)

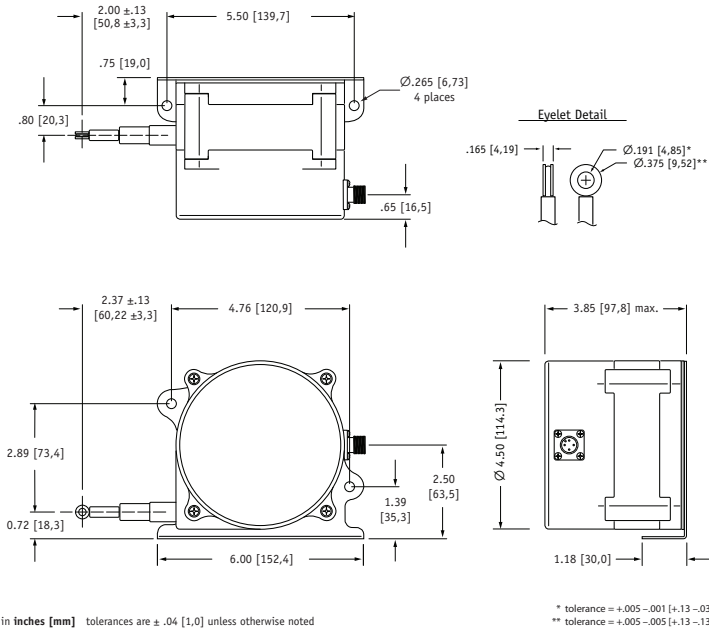


Fig. 2 - "Up" Cable Exit Direction

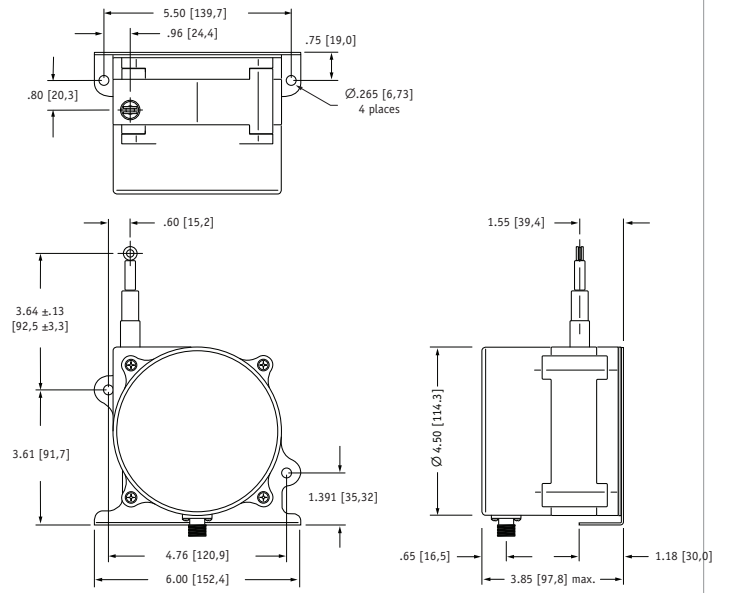


Fig. 3 - "Down" Cable Exit Direction

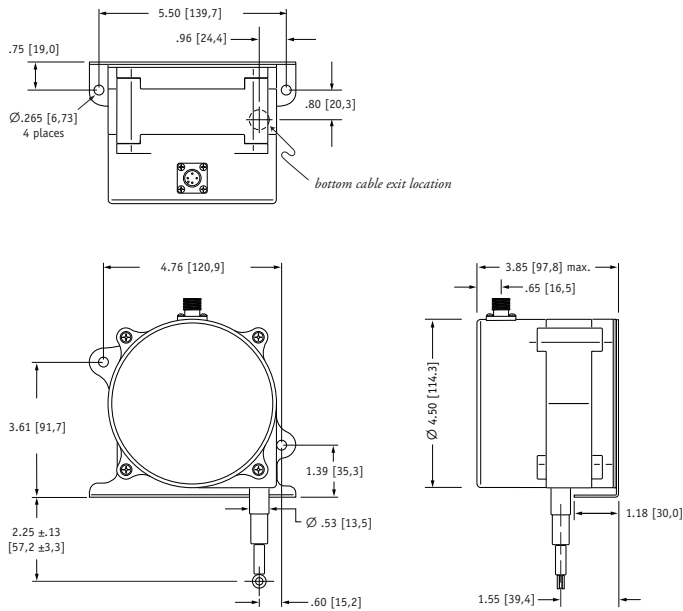


Fig. 4 - "Rear" Cable Exit Direction

