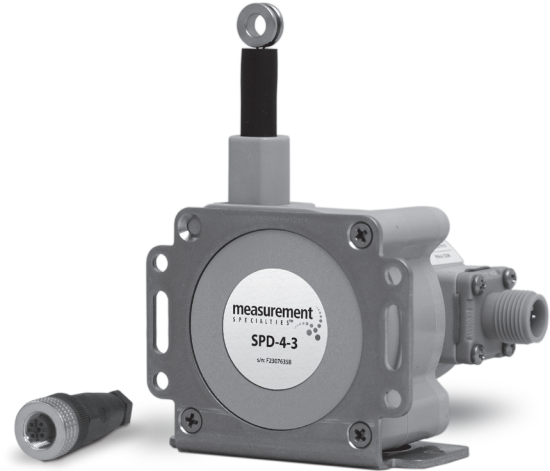


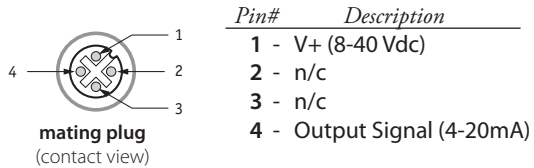
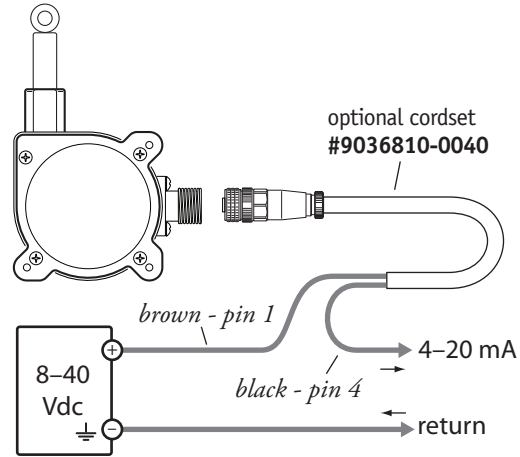
SPD Installation Guide

Includes: SPD-4-3, SPD-12-3, SPD-25-3
& SPD-50-3



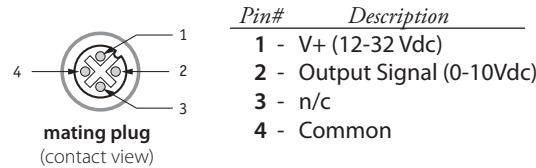
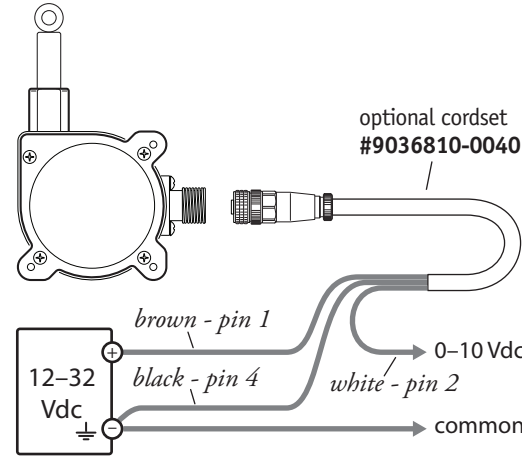
Electrical Connection

4–20 mA Output



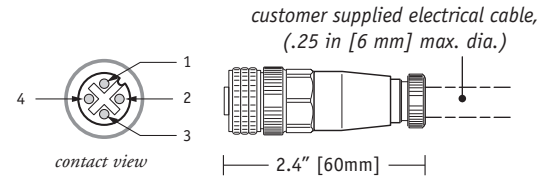
Electrical Connection

0–10 Vdc Output

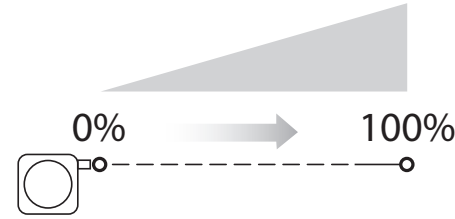


Electrical Connector

included M12 mating plug



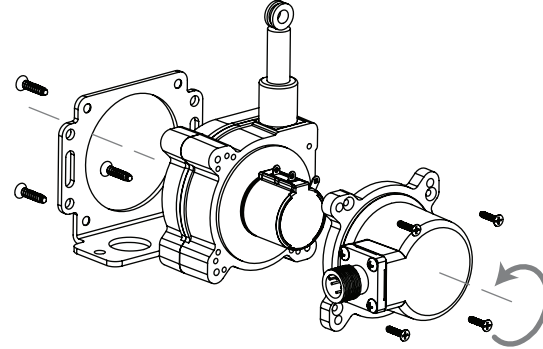
Output Signal



Output	0% fs.	100% fs.
4...20 mA	4 – 4.25 mA	19.2 – 20 mA
0...10 Vdc	0 – .2 Vdc	9.5 – 10 Vdc

Cable Exit/ Connector Direction

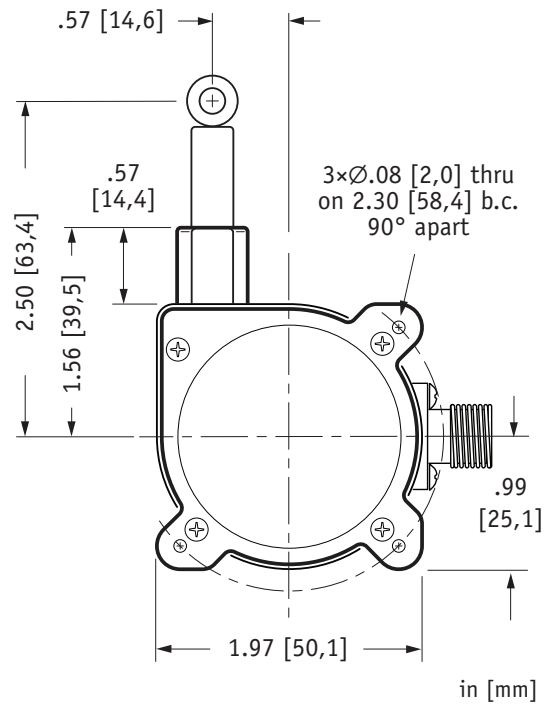
alternate installation



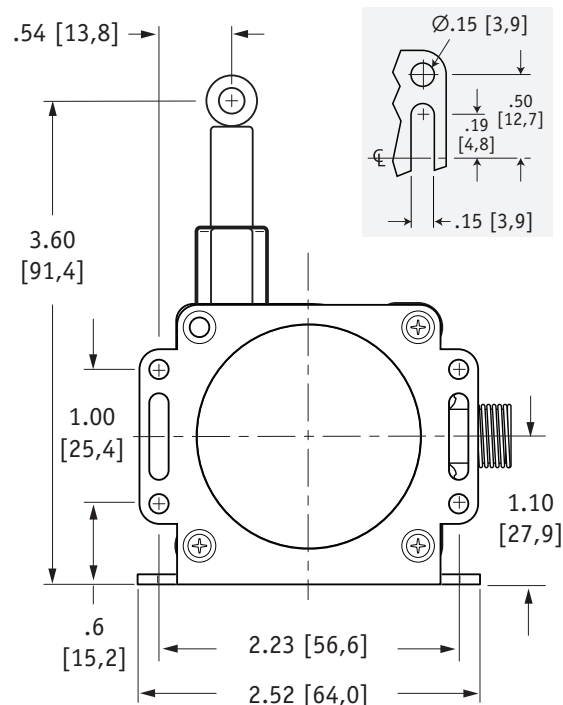
To change cable exit direction, simply remove the 3 mounting bracket screws and rotate sensor body to 1 of 4 options.

To change connector direction, remove the 4 cover screws and carefully rotate to desired direction.

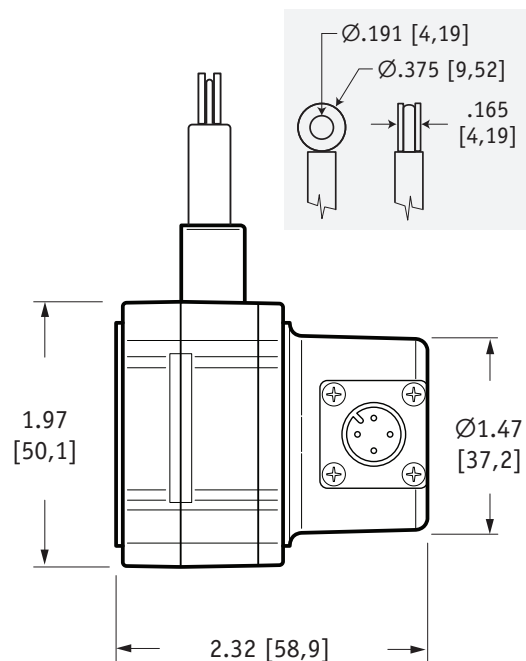
Front View (w/o bracket)



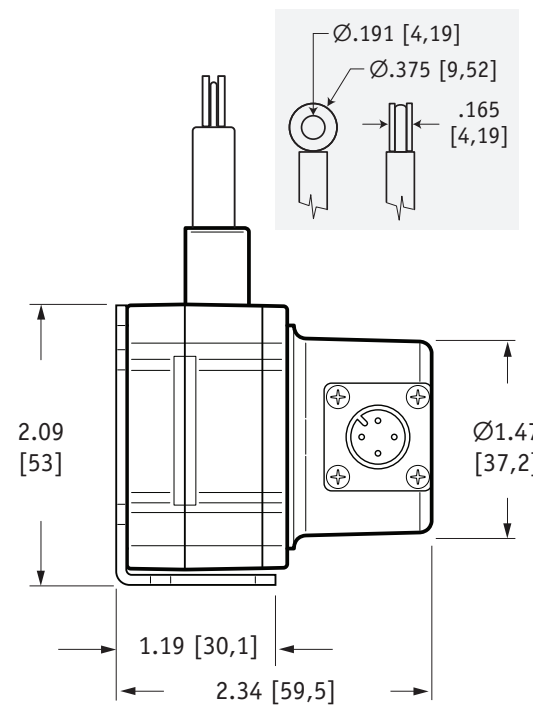
Front View (with bracket)



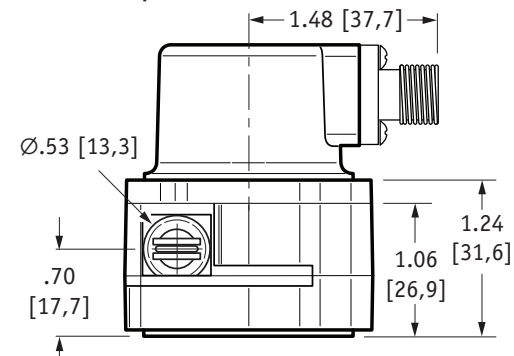
Side View (w/o bracket)



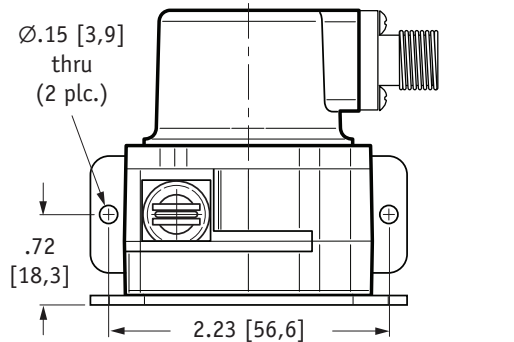
Side View (with bracket)



Top View (w/o bracket)



Top View (with bracket)



DEALER / REVENDEDOR

Brazil and South America / Brasil e América do Sul



Address / Endereço:

Rua Sete de Setembro, 2656
13560-181 - São Carlos - SP
Brazil / Brasil

Phone / Telefone:

+55 (16) 3371-0112
+55 (16) 3372-7800

Internet:

www.metrolog.net
metrolog@metrolog.net

www.metrolog.net