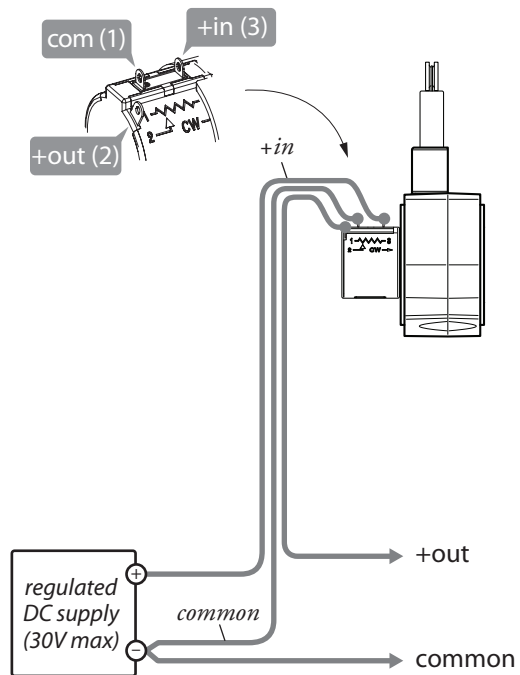


SP1 Installation Guide

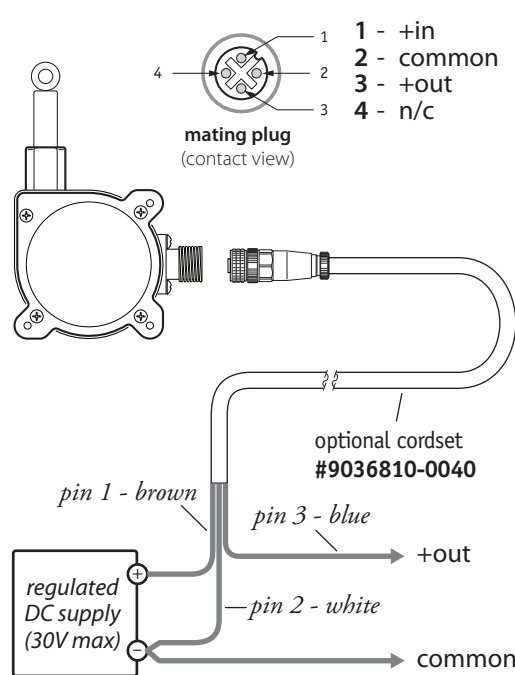
- includes:
- | | |
|--------|----------|
| SP1-4 | SP1-4-3 |
| SP1-12 | SP1-12-3 |
| SP1-25 | SP1-25-3 |
| SP1-50 | SP1-50-3 |



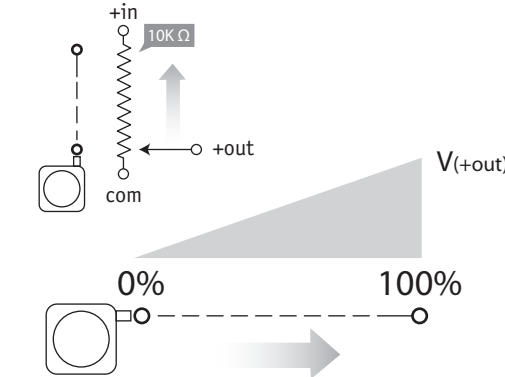
Electrical Connection, SP1-xx



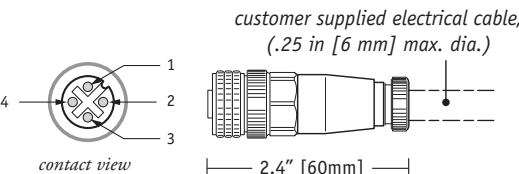
Electrical Connection, SP1-xx-3



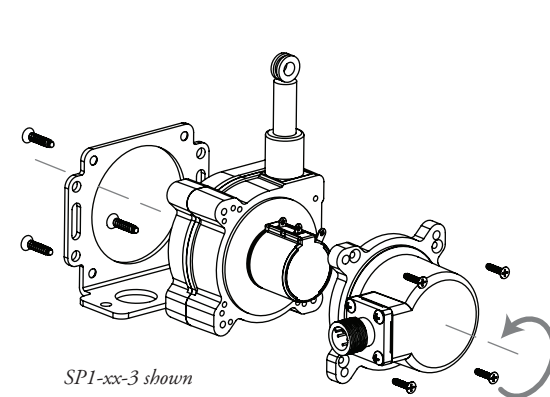
Output Signal / Circuit



Mating Plug (SP1-xx-3 only)



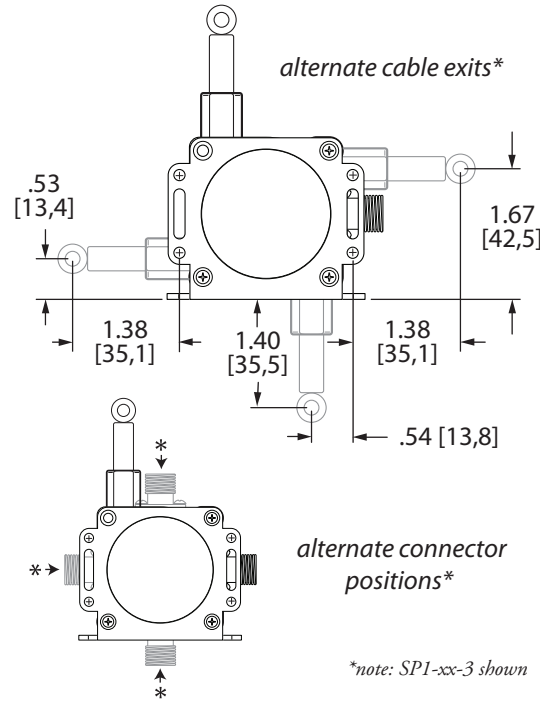
Cable Exit/Connector Direction



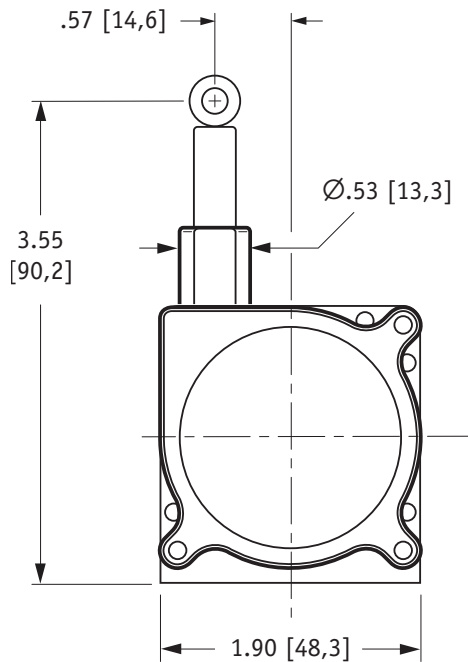
To change cable exit direction, simply remove the 3 mounting bracket screws and rotate sensor body to 1 of 4 options.

To change connector direction (SP1-xx-3 only), remove the 4 cover screws and carefully rotate to desired direction.

alternate installation

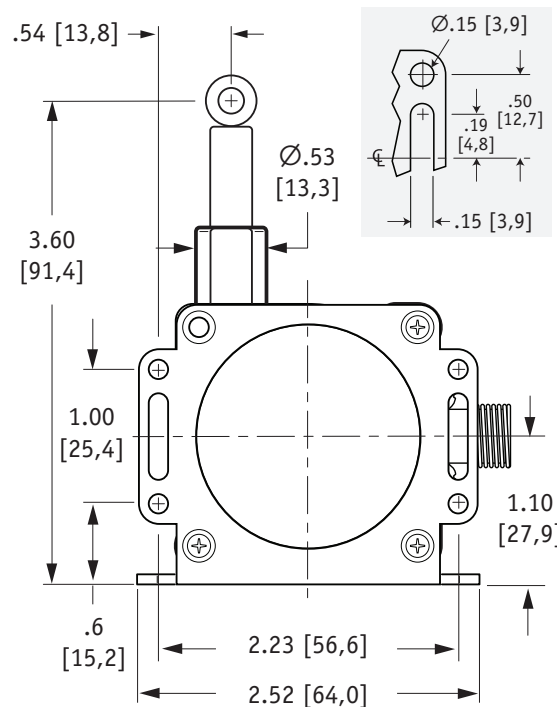


Front View, SP1-xx



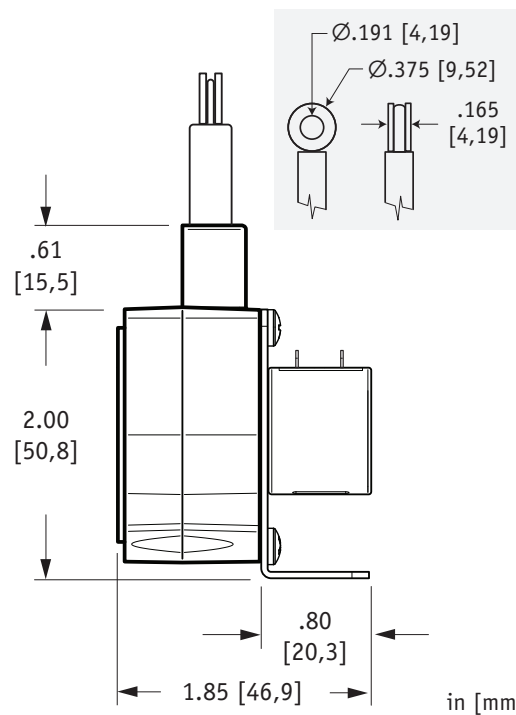
in [mm]

Front View, SP1-xx-3



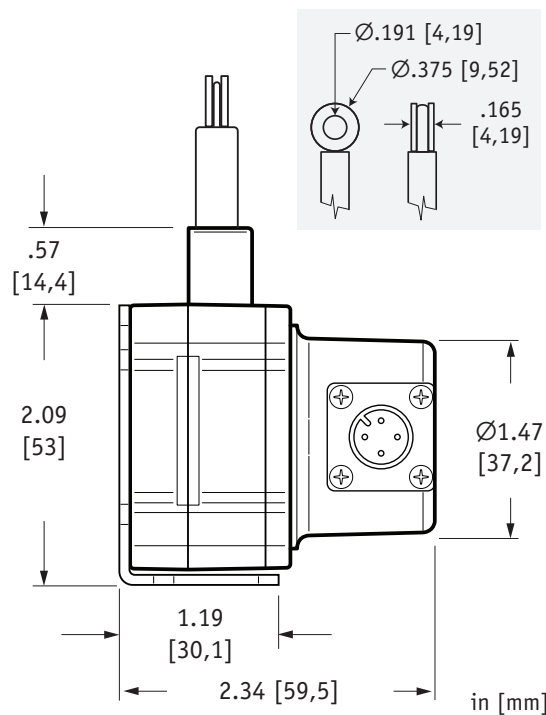
in [mm]

Side View, SP1-xx



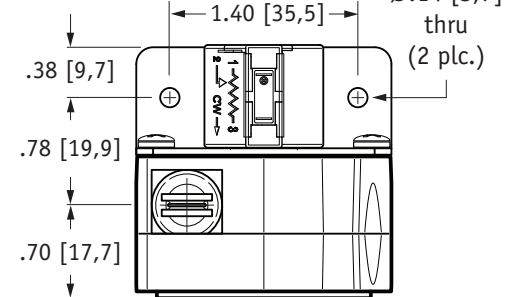
in [mm]

Side View, SP1-xx-3

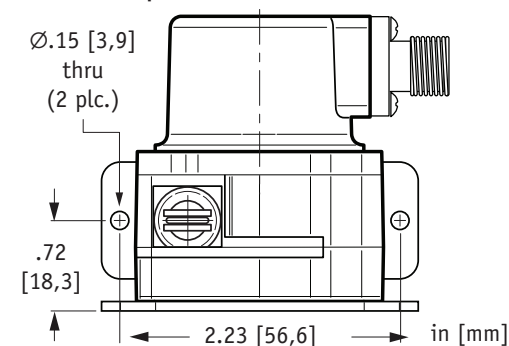


in [mm]

Top View, SP1-xx



Top View, SP1-xx-3



Specifications

Stroke Range Options:	4.75, 12.5, 25 and 50 inches
Accuracy	
4.75-inch range:	1% fs.
all others:	.25% fs.
Repeatability:	±.05% fs.

Enclosure:	polycarbonate
Measuring Cable:	.019-in. dia. nylon-coated stainless
Measuring Cable Tension:	7 oz.
Max Cable Acceleration:	15 g

Input Resistance:	10K ohms, ±10%
Sensor:	plastic hybrid potentiometer
Recommended maximum input voltage	30V (AC/DC)
Power Rating:	2 W at 70°F (21°C)
Operating Temp:	0°-160°F (-18° to 71°C)

Complete Specs: celesco.com/_datasheets/sp1.pdf

DEALER / REVENDEDOR

Brazil and South America / Brasil e América do Sul



Address / Endereço:

Rua Sete de Setembro, 2656
13560-181 - São Carlos - SP
Brazil / Brasil

Phone / Telefone:

+55 (16) 3371-0112
+55 (16) 3372-7800

Internet:

www.metrolog.net
metrolog@metrolog.net

www.metrolog.net