

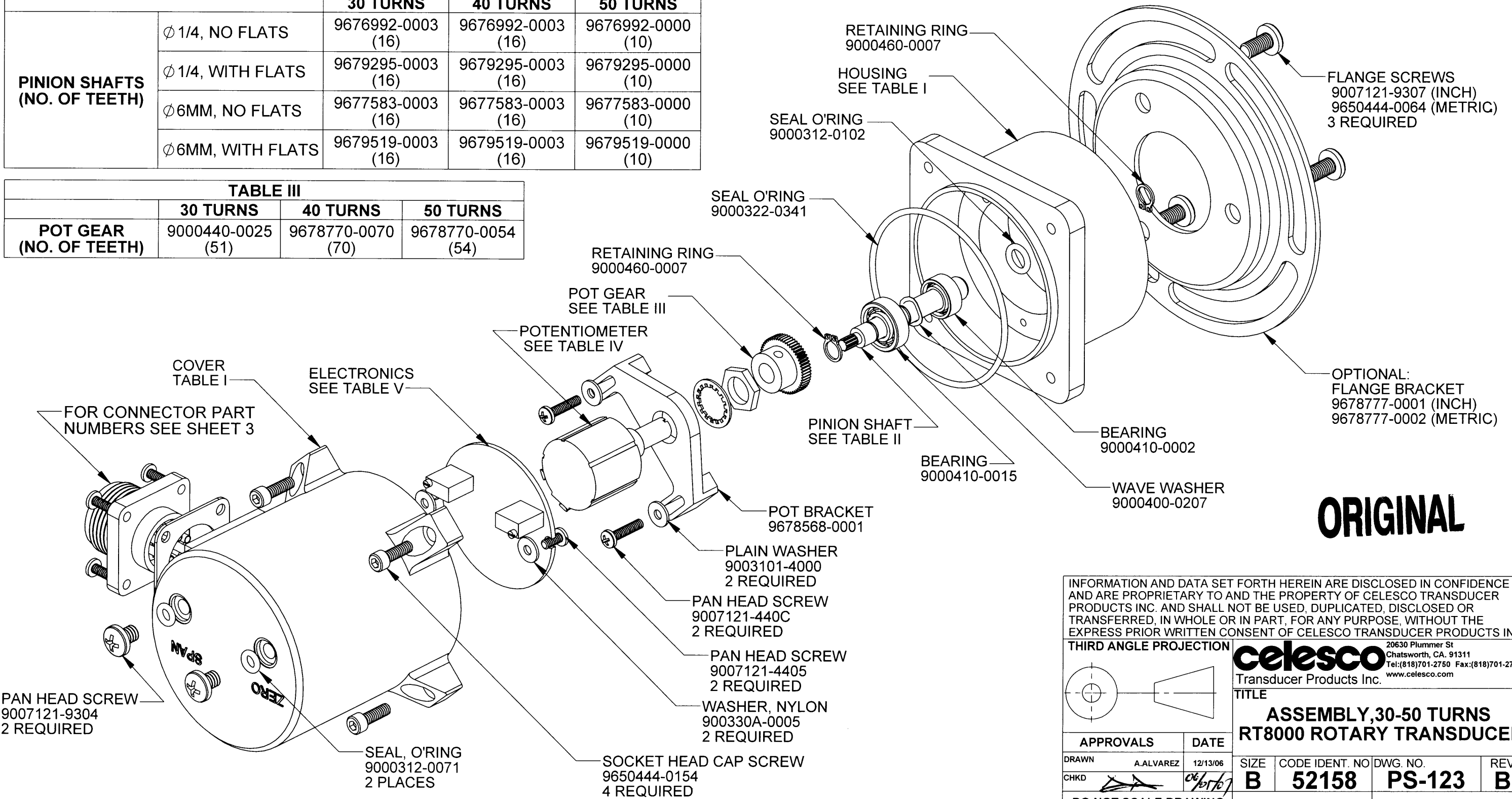
TABLE I		
COVER	ALUMINUM	9677276-0000
	303 STAINLESS STEEL	9677295-0000
HOUSING	ALUMINUM	9678840-0000
	ALUMINUM, METRIC	9678572-0000
	303 STAINLESS STEEL	9678840-0001
	303 STAINLESS STEEL, METRIC	9678572-0001

TABLE IV			
POT	NUMBER OF SHAFT TURNS		
	30	40	50
500 OHM	9085000-0003		
1K OHM	9085000-0006		
5K OHM	9085000-0010		
10K OHM	9085000-0002		

REVISIONS			
REV.	DESCRIPTION	DATE	APPROVED
B	RELEASE: SEE DCN 5684	05/23/07	

TABLE II				
PINION SHAFTS (NO. OF TEETH)		30 TURNS	40 TURNS	50 TURNS
	Ø 1/4, NO FLATS	9676992-0003 (16)	9676992-0003 (16)	9676992-0000 (10)
	Ø 1/4, WITH FLATS	9679295-0003 (16)	9679295-0003 (16)	9679295-0000 (10)
	Ø 6MM, NO FLATS	9677583-0003 (16)	9677583-0003 (16)	9677583-0000 (10)
	Ø 6MM, WITH FLATS	9679519-0003 (16)	9679519-0003 (16)	9679519-0000 (10)

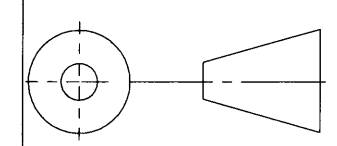
TABLE III			
POT GEAR (NO. OF TEETH)	30 TURNS	40 TURNS	50 TURNS
	9000440-0025 (51)	9678770-0070 (70)	9678770-0054 (54)



ORIGINAL

INFORMATION AND DATA SET FORTH HEREIN ARE DISCLOSED IN CONFIDENCE AND ARE PROPRIETARY TO AND THE PROPERTY OF CELESCO TRANSDUCER PRODUCTS INC. AND SHALL NOT BE USED, DUPLICATED, DISCLOSED OR TRANSFERRED, IN WHOLE OR IN PART, FOR ANY PURPOSE, WITHOUT THE EXPRESS PRIOR WRITTEN CONSENT OF CELESCO TRANSDUCER PRODUCTS INC.

THIRD ANGLE PROJECTION



20630 Plummer St
Chatsworth, CA. 91311
Tel: (818) 701-2750 Fax: (818) 701-2799
www.celesco.com

celesco
Transducer Products Inc.
TITLE
**ASSEMBLY, 30-50 TURNS
RT8000 ROTARY TRANSDUCER**

APPROVALS		DATE	SIZE	CODE IDENT. NO	DWG. NO.	REV
DRAWN	A. ALVAREZ	12/13/06	B	52158	PS-123	B
CHKD	<i>[Signature]</i>	06/21/07	SCALE: 1:2		SHEET 1 OF 5	
DO NOT SCALE DRAWING						

A
B
C
D
E
F
G

TABLE V

		RT8101	RT8420	RT8510	RT8CN	RT8DN	
ELECTRONICS	2 WIRE, 4-20 mA PCB ASSEMBLY		9604068-0001				
	3 WIRE, 0-20 mA PCB ASSEMBLY		9603662-0001				
	0-5 VDC PCB ASSEMBLY		9603660-0001				
	0-10 VDC PCB ASSEMBLY						
	0-30 mV ADJUSTABLE BRIDGE CIRCUIT		9603980-0013				
	CAN BUS PCB ASSEMBLY						9604012-0001
	DEVICE NET PCB ASSEMBLY						9604077-0001

RT8101			
POTENTIOMETER			
	CCW (1)	CW (3)	S (2)
6-PIN CONNECTOR	PIN A	PIN B	PIN C
INSTRUMENTATION CABLE	RED	BLACK	GREEN
WATERPROOF CABLE	WHITE	BLACK	GREEN

RT8420 (2 WIRE 4-20mA)			
4-PIN HARNESS 604066			
	WHITE	BLACK	GREEN
6-PIN CONNECTOR	PIN A	PIN B	PIN D
INSTRUMENTATION CABLE	RED	BLACK	GREEN
WATERPROOF CABLE	WHITE	BLACK	GREEN
3 PIN HARNESS 604019			
	WHITE	GREEN	BLACK
POTENTIOMETER	CCW (1)	S (2)	CW (3)

RT8DN AND RT8CN			
3 PIN HARNESS 604019			
	WHITE	GREEN	BLACK
POTENTIOMETER	CCW (1)	S (2)	CW (3)

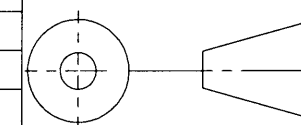
RT8420 3-WIRE (3-WIRE 4-20mA)			
8-PIN HARNESS 604022 ON PC BOARD			
	RED	BLACK	GREEN
6-PIN CONNECTOR	PIN A	PIN B	PIN C
INSTRUMENTATION CABLE	RED	BLACK	GREEN
WATERPROOF CABLE	WHITE	BLACK	GREEN
3-PIN HARNESS 604019 ON PC BOARD			
	GREEN	BLACK	WHITE
POTENTIOMETER	CW (3)	CCW (1)	S (2)

RT8510 (0-5 AND 0-10 VDC)			
WIRES ON PC BOARD			
	RED	GREEN	BLACK
6-PIN CONNECTOR	PIN A	PIN B	PIN C
INSTRUMENTATION CABLE	RED	GREEN	BLACK
WATERPROOF CABLE	WHITE	GREEN	BLACK
WIRES SOLDERED TO PC BOARD			
	WHITE (E3)	GREEN (E5)	BLACK (E4)
POTENTIOMETER	CCW (1)	S (2)	CW (3)

ORIGINAL

INFORMATION AND DATA SET FORTH HEREIN ARE DISCLOSED IN CONFIDENCE AND ARE PROPRIETARY TO AND THE PROPERTY OF CELESCO TRANSDUCER PRODUCTS INC. AND SHALL NOT BE USED, DUPLICATED, DISCLOSED OR TRANSFERRED, IN WHOLE OR IN PART, FOR ANY PURPOSE, WITHOUT THE EXPRESS PRIOR WRITTEN CONSENT OF CELESCO TRANSDUCER PRODUCTS INC.

THIRD ANGLE PROJECTION



celesco 20630 Plummer St
Chatsworth, CA. 91311
Tel:(818)701-2750 Fax:(818)701-2799
www.celesco.com
Transducer Products Inc.

TITLE
**ASSEMBLY, 30-50 TURNS
RT8000 ROTARY TRANSDUCER**

APPROVALS DATE

DRAWN A.ALVAREZ 12/13/06

CHKD *[Signature]*

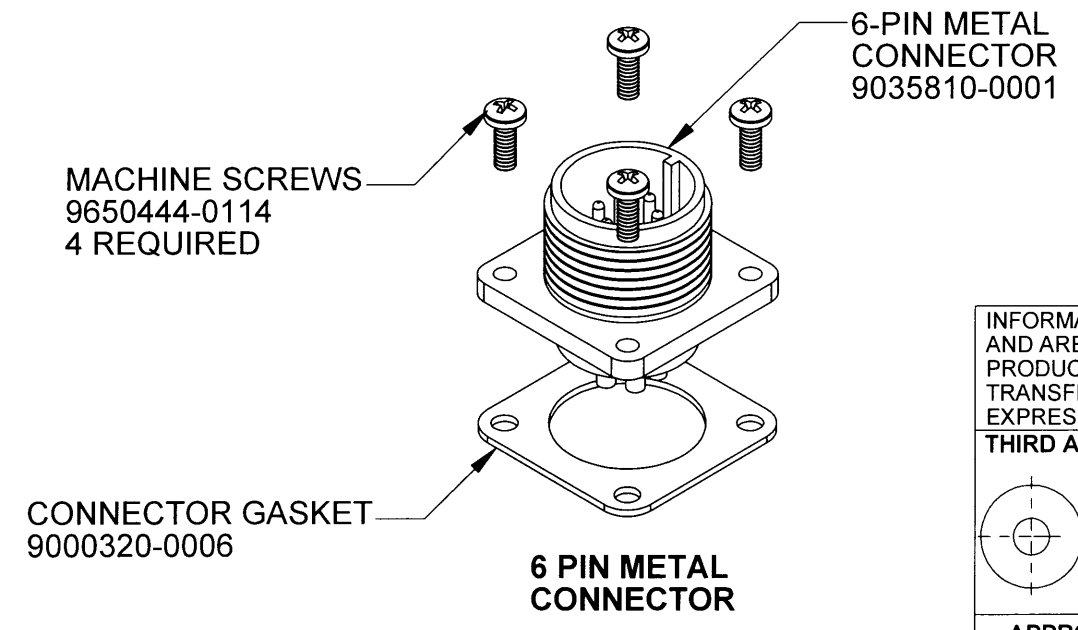
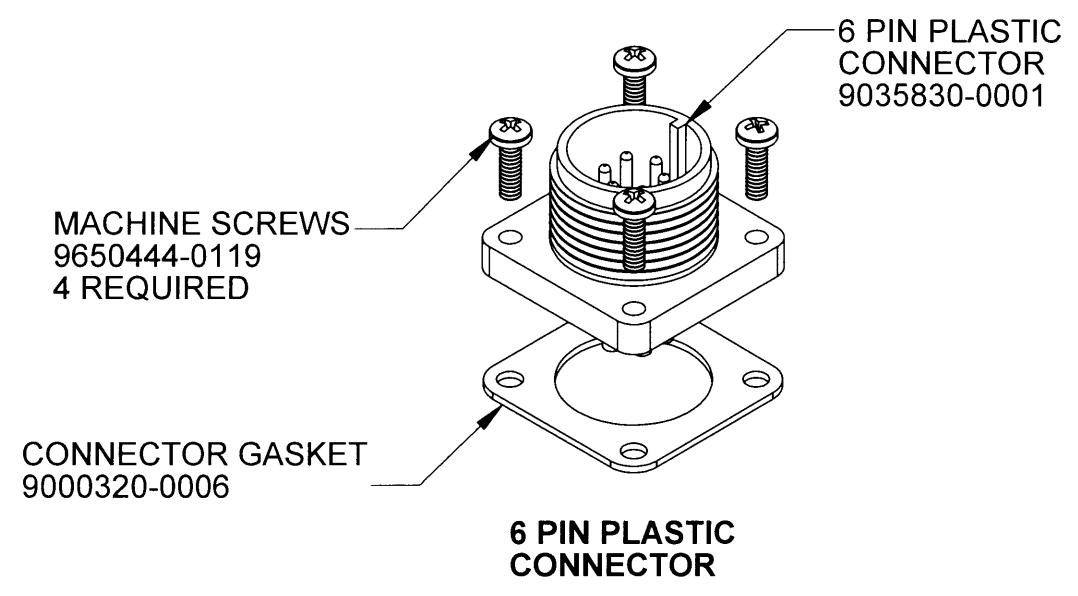
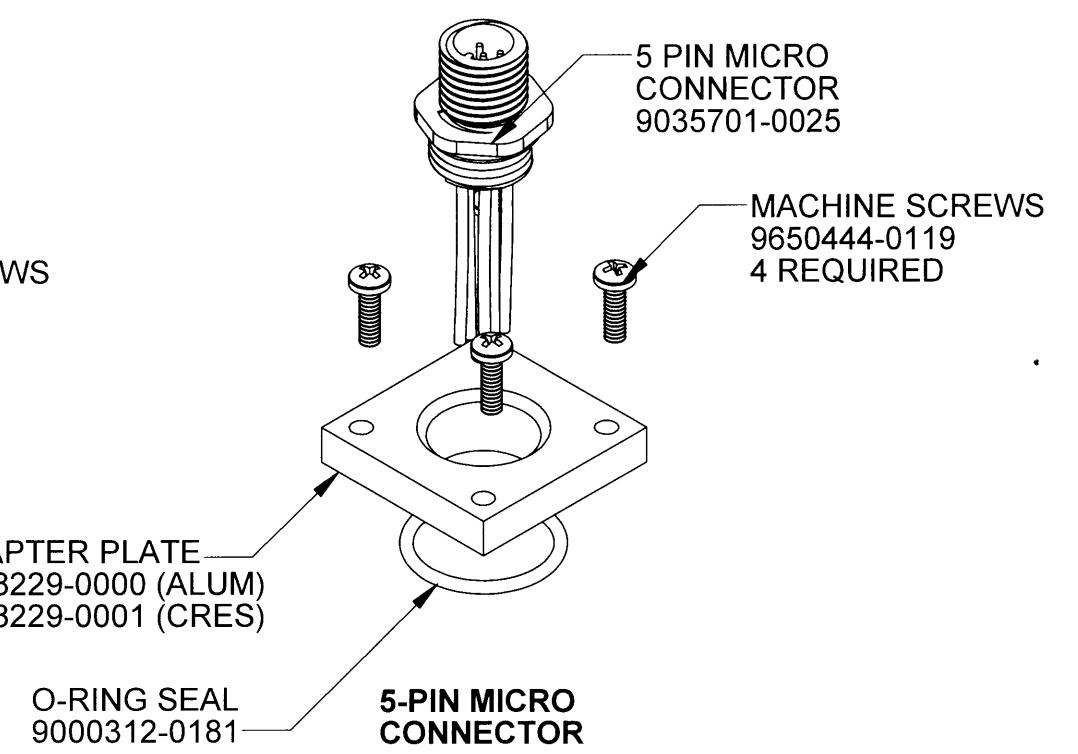
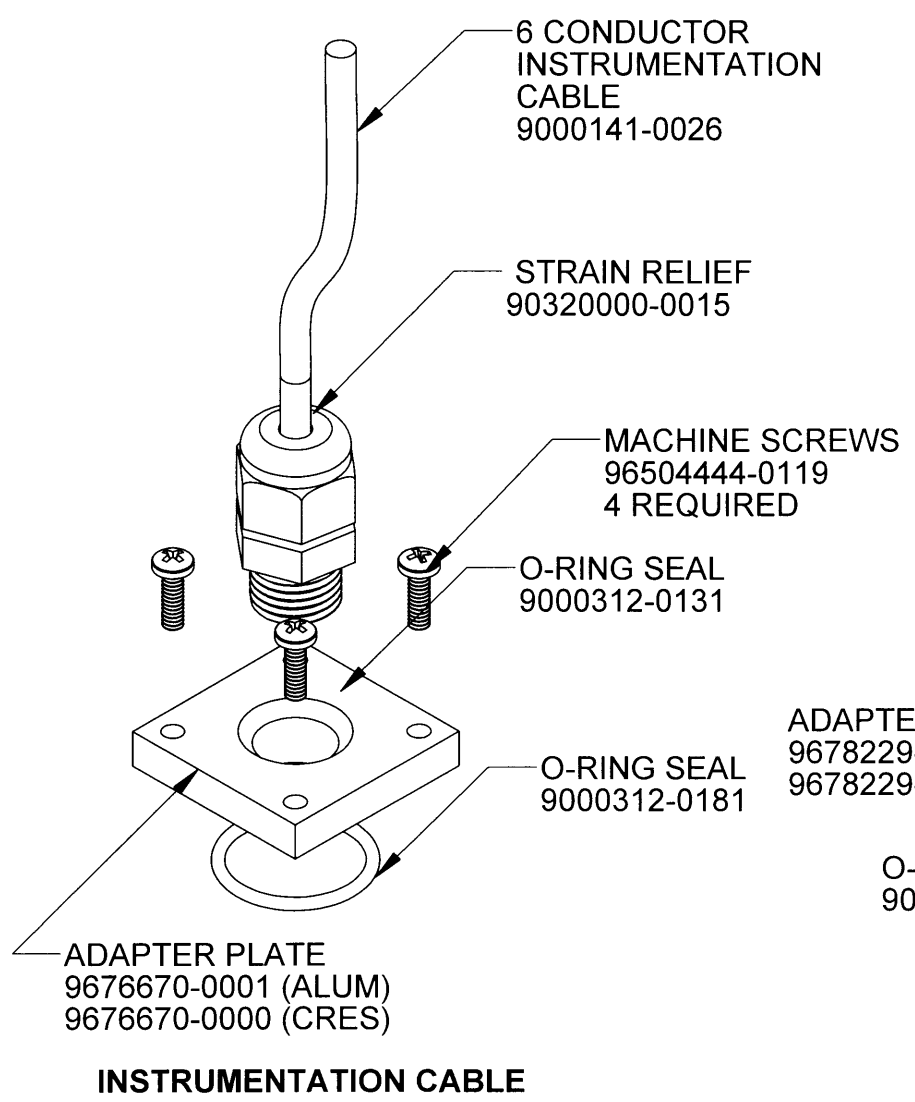
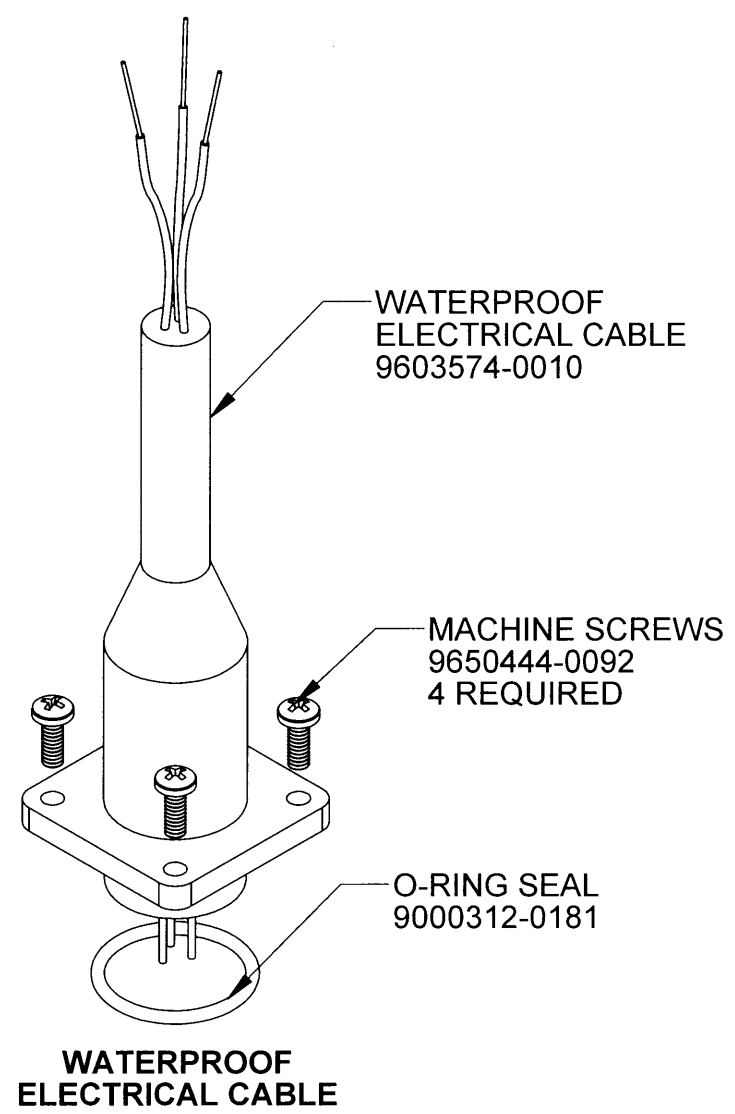
DO NOT SCALE DRAWING

SIZE CODE IDENT. NO DWG. NO. REV

B 52158 PS-123 B

SCALE: 1:2 SHEET 2 OF 5

A
B
C
D
E
F
G



ORIGINAL

INFORMATION AND DATA SET FORTH HEREIN ARE DISCLOSED IN CONFIDENCE AND ARE PROPRIETARY TO AND THE PROPERTY OF CELESCO TRANSDUCER PRODUCTS INC. AND SHALL NOT BE USED, DUPLICATED, DISCLOSED OR TRANSFERRED, IN WHOLE OR IN PART, FOR ANY PURPOSE, WITHOUT THE EXPRESS PRIOR WRITTEN CONSENT OF CELESCO TRANSDUCER PRODUCTS INC.

THIRD ANGLE PROJECTION

celesco 20630 Plummer St
Chatsworth, CA. 91311
Tel:(818)701-2750 Fax:(818)701-2799
www.celesco.com

Transducer Products Inc.

TITLE
**ASSEMBLY, 30-50 TURNS
RT8000 ROTARY TRANSDUCER**

APPROVALS	DATE	SIZE	CODE IDENT. NO	DWG. NO.	REV
DRAWN A.ALVAREZ	12/13/06	B	52158	PS-123	B
CHKD		DO NOT SCALE DRAWING		SCALE: 1:2	SHEET 3 OF 5

A

B

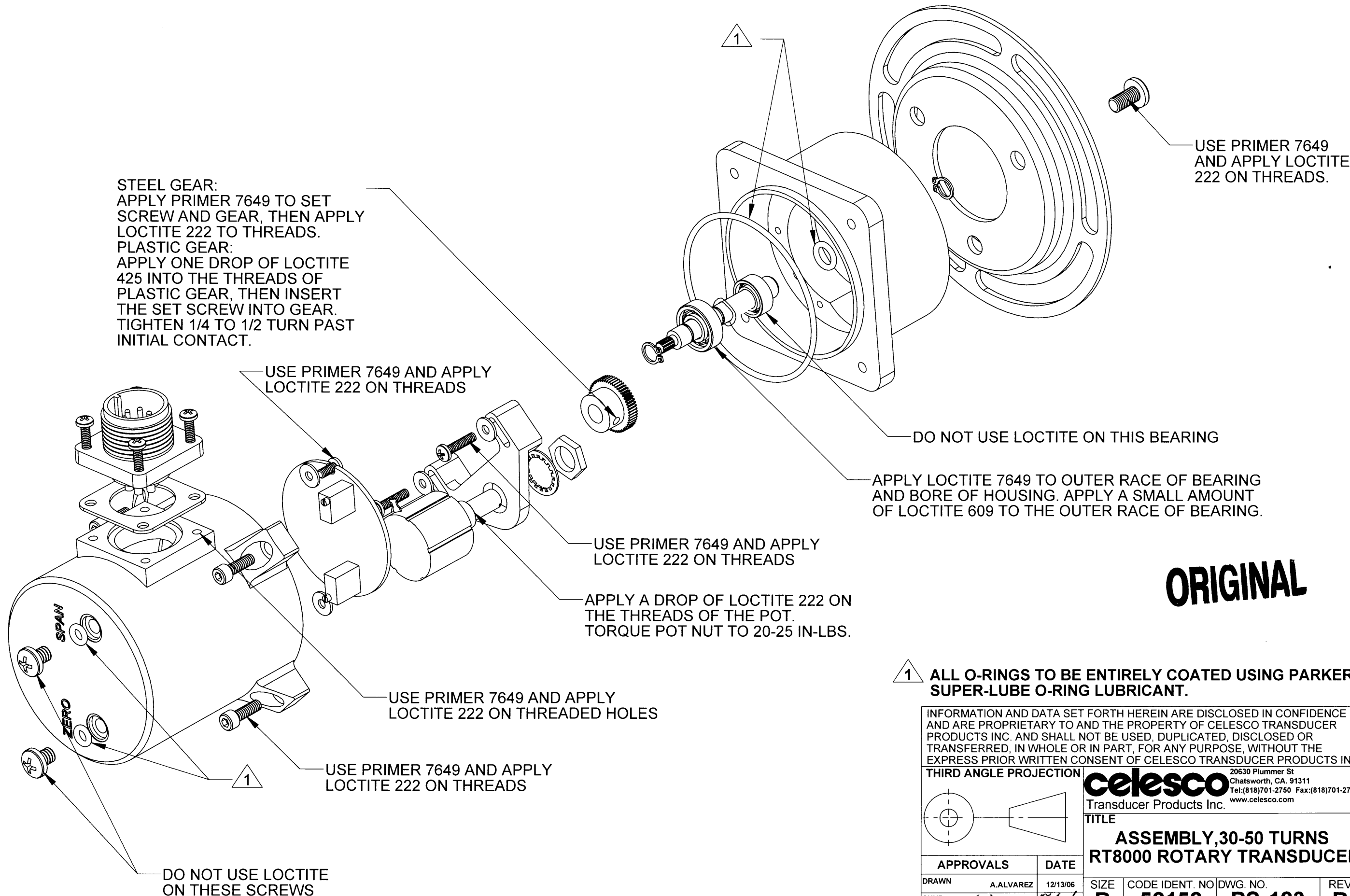
C

D

E

F

G

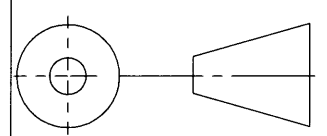


ORIGINAL

1 ALL O-RINGS TO BE ENTIRELY COATED USING PARKER SUPER-LUBE O-RING LUBRICANT.

INFORMATION AND DATA SET FORTH HEREIN ARE DISCLOSED IN CONFIDENCE AND ARE PROPRIETARY TO AND THE PROPERTY OF CELESCO TRANSDUCER PRODUCTS INC. AND SHALL NOT BE USED, DUPLICATED, DISCLOSED OR TRANSFERRED, IN WHOLE OR IN PART, FOR ANY PURPOSE, WITHOUT THE EXPRESS PRIOR WRITTEN CONSENT OF CELESCO TRANSDUCER PRODUCTS INC.

THIRD ANGLE PROJECTION



celesco 20630 Plummer St
Chatsworth, CA. 91311
Tel: (818) 701-2750 Fax: (818) 701-2799
www.celesco.com

TITLE
**ASSEMBLY, 30-50 TURNS
RT8000 ROTARY TRANSDUCER**

APPROVALS		DATE	SIZE	CODE IDENT. NO	DWG. NO.	REV
DRAWN	A. ALVAREZ	12/13/06	B	52158	PS-123	B
CHKD	<i>[Signature]</i>	<i>[Signature]</i>	DO NOT SCALE DRAWING		SCALE: 1:2	SHEET 4 OF 5

