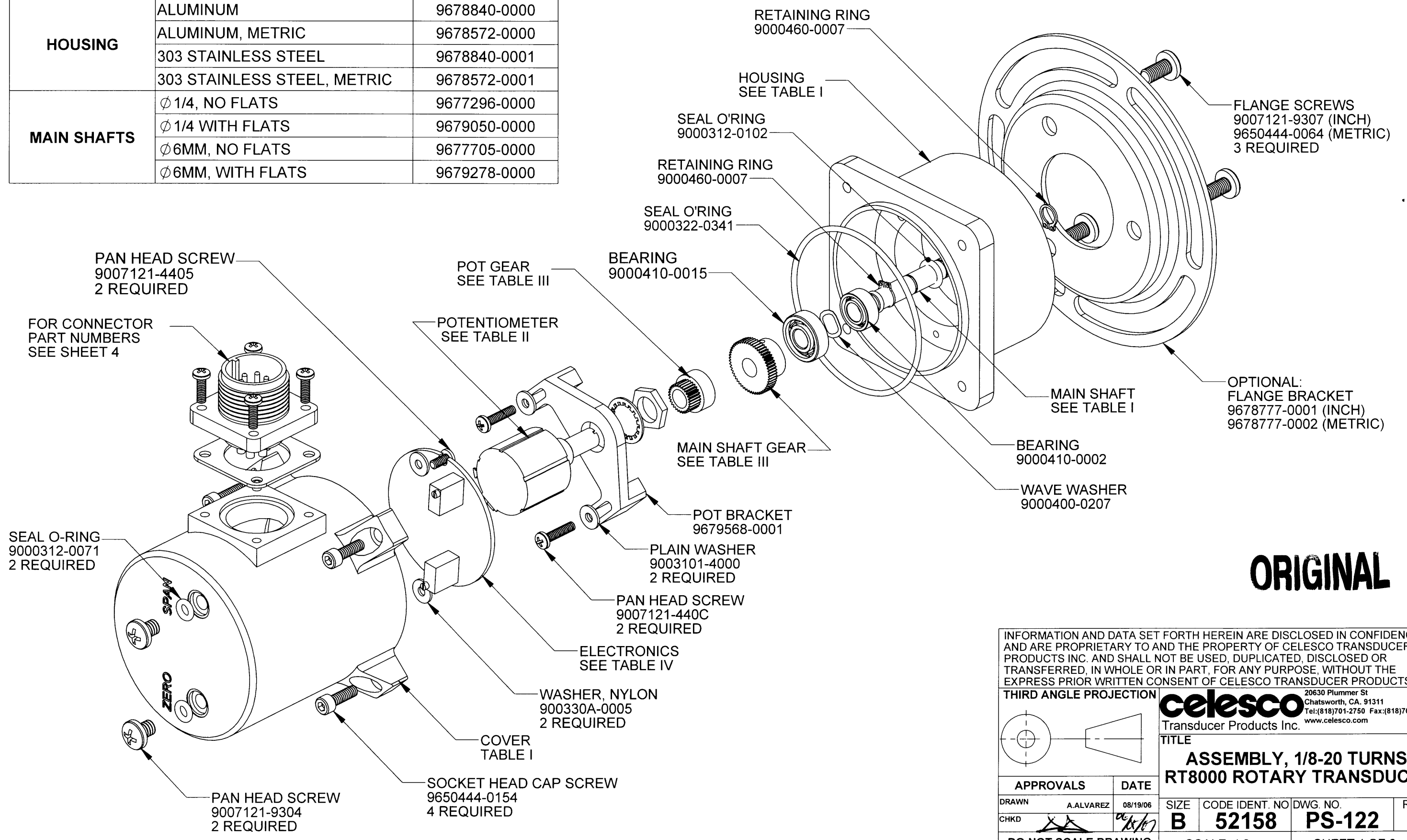


REV.	DESCRIPTION	DATE	APPROVED
B	SEE DCN 5243	12/14/06	

COVER	ALUMINUM	9677276-0000
	303 STAINLESS STEEL	9677295-0000
HOUSING	ALUMINUM	9678840-0000
	ALUMINUM, METRIC	9678572-0000
	303 STAINLESS STEEL	9678840-0001
	303 STAINLESS STEEL, METRIC	9678572-0001
MAIN SHAFTS	Ø 1/4, NO FLATS	9677296-0000
	Ø 1/4 WITH FLATS	9679050-0000
	Ø 6MM, NO FLATS	9677705-0000
	Ø 6MM, WITH FLATS	9679278-0000



ORIGINAL

INFORMATION AND DATA SET FORTH HEREIN ARE DISCLOSED IN CONFIDENCE AND ARE PROPRIETARY TO AND THE PROPERTY OF CELESCO TRANSDUCER PRODUCTS INC. AND SHALL NOT BE USED, DUPLICATED, DISCLOSED OR TRANSFERRED, IN WHOLE OR IN PART, FOR ANY PURPOSE, WITHOUT THE EXPRESS PRIOR WRITTEN CONSENT OF CELESCO TRANSDUCER PRODUCTS INC.

THIRD ANGLE PROJECTION

celesco 20630 Plummer St
Chatsworth, CA. 91311
Tel:(818)701-2750 Fax:(818)701-2799
www.celesco.com

Transducer Products Inc.

TITLE

**ASSEMBLY, 1/8-20 TURNS
RT8000 ROTARY TRANSDUCER**

APPROVALS	DATE	SIZE	CODE IDENT. NO	DWG. NO.	REV
DRAWN A.ALVAREZ	08/19/06	B	52158	PS-122	B
CHKD <i>[Signature]</i>	<i>[Signature]</i>				

DO NOT SCALE DRAWING SCALE: 1:2 SHEET 1 OF 6

A

TABLE II									
POT	NUMBER OF SHAFT TURNS								
	R125	0R25	0R50	0001	0002	0003	0005	0010	0020
500 OHM	9679569-0004	9679569-0004	9679569-0003	9679569-0003	9679569-0003	9085000-0004	9085000-0004	9085000-0003	9085000-0003
1K OHM	N/A	N/A	9679569-0002	9679569-0002	9679569-0002	9085000-0011	9085000-0011	9085000-0006	9085000-0006
5K OHM	N/A	N/A	9679569-0000	9679569-0000	9679569-0000	9085000-0013	9085000-0013	9085000-0010	9085000-0010
10K OHM	N/A	N/A	9679569-0001	9679569-0001	9679569-0001	9085000-0001	9085000-0001	9085000-0002	9085000-0002

B

TABLE III									
GEARS									
MAIN SHAFT GEAR (NO. OF TEETH)	9000440-0019 (54)	9000440-0018 (46)	9000440-0008 (55)	9000440-0018 (46)	9000440-0003 (28)	9000440-0019 (54)	9000440-0018 (46)	9000440-0018 (46)	9000440-0035 (31)
POT GEAR (NO. OF TEETH)	9000440-0004 (29)	9000440-0007 (49)	9000440-0034 (30)	9000440-0017 (50)	9000440-0009 (61)	9000440-0037 (35)	9000440-0017 (50)	9000440-0017 (50)	9000440-0021 (65)

C

TABLE IV								
		RT8101	RT8420	RT8510	RT8CN	RT8DN		
ELECTRONICS	2 WIRE, 4-20 mA PCB ASSEMBLY		9604068-0001					
	3 WIRE, 0-20 mA PCB ASSEMBLY		9603662-0001					
	0-5 VDC PCB ASSEMBLY						9603660-0001	
	0-10 VDC PCB ASSEMBLY						9603660-0000	
	0-30 mV ADJUSTABLE BRIDGE CIRCUIT						9603980-0013	
	CAN BUS PCB ASSEMBLY							9604012-0001
	DEVICE NET PCB ASSEMBLY							9604077-0001

D

E

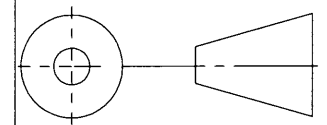
ORIGINAL

F

G

INFORMATION AND DATA SET FORTH HEREIN ARE DISCLOSED IN CONFIDENCE AND ARE PROPRIETARY TO AND THE PROPERTY OF CELESCO TRANSDUCER PRODUCTS INC. AND SHALL NOT BE USED, DUPLICATED, DISCLOSED OR TRANSFERRED, IN WHOLE OR IN PART, FOR ANY PURPOSE, WITHOUT THE EXPRESS PRIOR WRITTEN CONSENT OF CELESCO TRANSDUCER PRODUCTS INC.

THIRD ANGLE PROJECTION



celesco 20630 Plummer St
Chatsworth, CA. 91311
Tel:(818)701-2750 Fax:(818)701-2799
www.celesco.com

Transducer Products Inc.

TITLE
**ASSEMBLY, 1/8-20 TURNS
RT8000 ROTARY TRANSDUCER**

APPROVALS	DATE	SIZE	CODE IDENT. NO	DWG. NO.	REV
DRAWN A.ALVAREZ	08/19/06	B	52158	PS-122	B
CHKD <i>[Signature]</i>	10/1/07	DO NOT SCALE DRAWING		SCALE: 1:2	SHEET 2 OF 6

A

RT8101			
	POTENTIOMETER		
	CCW (1)	CW (3)	S (2)
6-PIN CONNECTOR	PIN A	PIN B	PIN C
INSTRUMENTATION CABLE	RED	BLACK	GREEN
WATERPROOF CABLE	WHITE	BLACK	GREEN

B

RT8DN AND RT8CN			
	3 PIN HARNESS 604019		
	WHITE	GREEN	BLACK
POTENTIOMETER	CCW (1)	S (2)	CW (3)

C

RT8420 (2 WIRE 4-20mA)			
	4-PIN HARNESS 604066		
	WHITE	BLACK	GREEN
6-PIN CONNECTOR	PIN A	PIN B	PIN D
INSTRUMENTATION CABLE	RED	BLACK	GREEN
WATERPROOF CABLE	WHITE	BLACK	GREEN
	3 PIN HARNESS 604019		
	WHITE	GREEN	BLACK
POTENTIOMETER	CCW (1)	S (2)	CW (3)

D

RT8420 3-WIRE (3-WIRE 4-20mA)			
	8-PIN HARNESS 604022 ON PC BOARD		
	RED	BLACK	GREEN
6-PIN CONNECTOR	PIN A	PIN B	PIN C
INSTRUMENTATION CABLE	RED	BLACK	GREEN
WATERPROOF CABLE	WHITE	BLACK	GREEN
	3-PIN HARNESS 604019 ON PC BOARD		
	GREEN	BLACK	WHITE
POTENTIOMETER	CW (3)	CCW (1)	S (2)

E

RT8510 (0-5 AND 0-10 VDC)			
	WIRES ON PC BOARD		
	RED	GREEN	BLACK
6-PIN CONNECTOR	PIN A	PIN B	PIN C
INSTRUMENTATION CABLE	RED	GREEN	BLACK
WATERPROOF CABLE	WHITE	GREEN	BLACK
	WIRES SOLDERED TO PC BOARD		
	WHITE (E3)	GREEN (E5)	BLACK (E4)
POTENTIOMETER	CCW (1)	S (2)	CW (3)

F

G

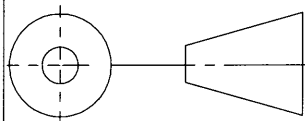
ORIGINAL

INFORMATION AND DATA SET FORTH HEREIN ARE DISCLOSED IN CONFIDENCE AND ARE PROPRIETARY TO AND THE PROPERTY OF CELESCO TRANSDUCER PRODUCTS INC. AND SHALL NOT BE USED, DUPLICATED, DISCLOSED OR TRANSFERRED, IN WHOLE OR IN PART, FOR ANY PURPOSE, WITHOUT THE EXPRESS PRIOR WRITTEN CONSENT OF CELESCO TRANSDUCER PRODUCTS INC.

20630 Plummer St
Chatsworth, CA. 91311
Tel:(818)701-2750 Fax:(818)701-2799
www.celesco.com

celesco
Transducer Products Inc.

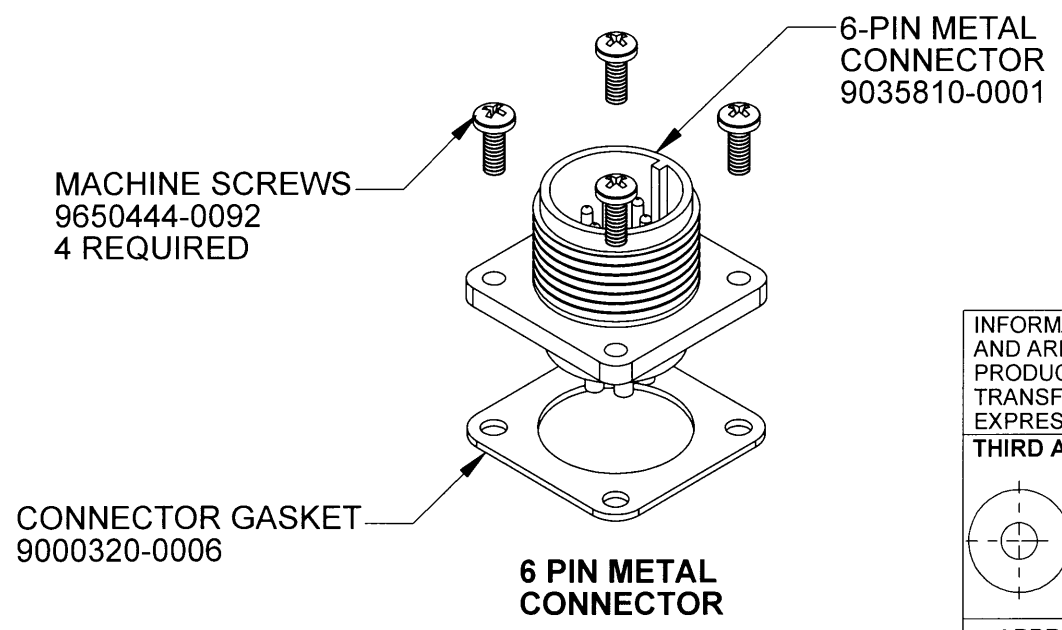
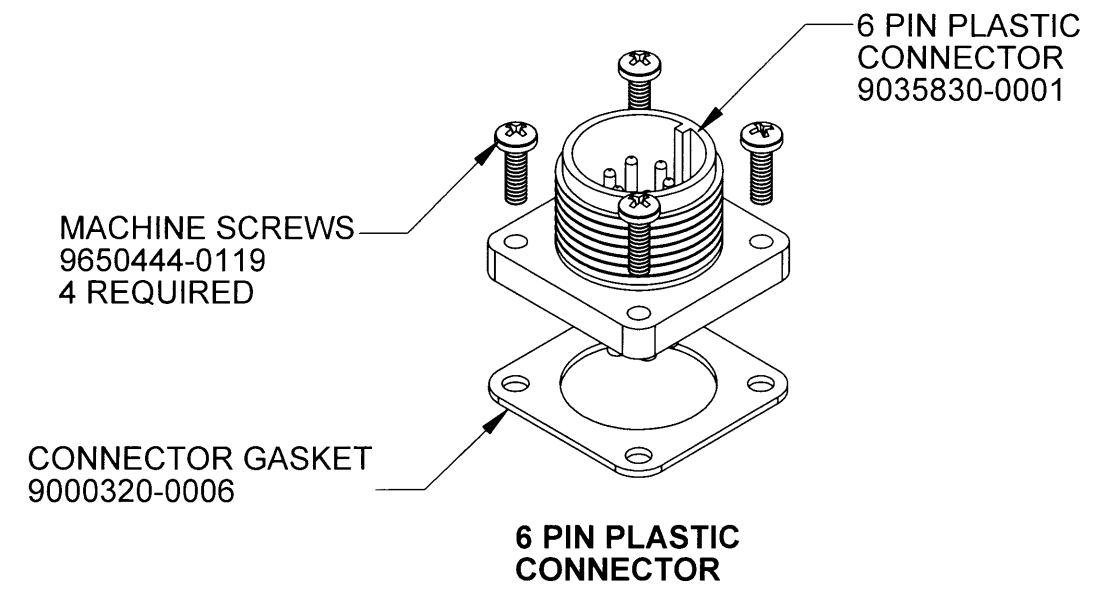
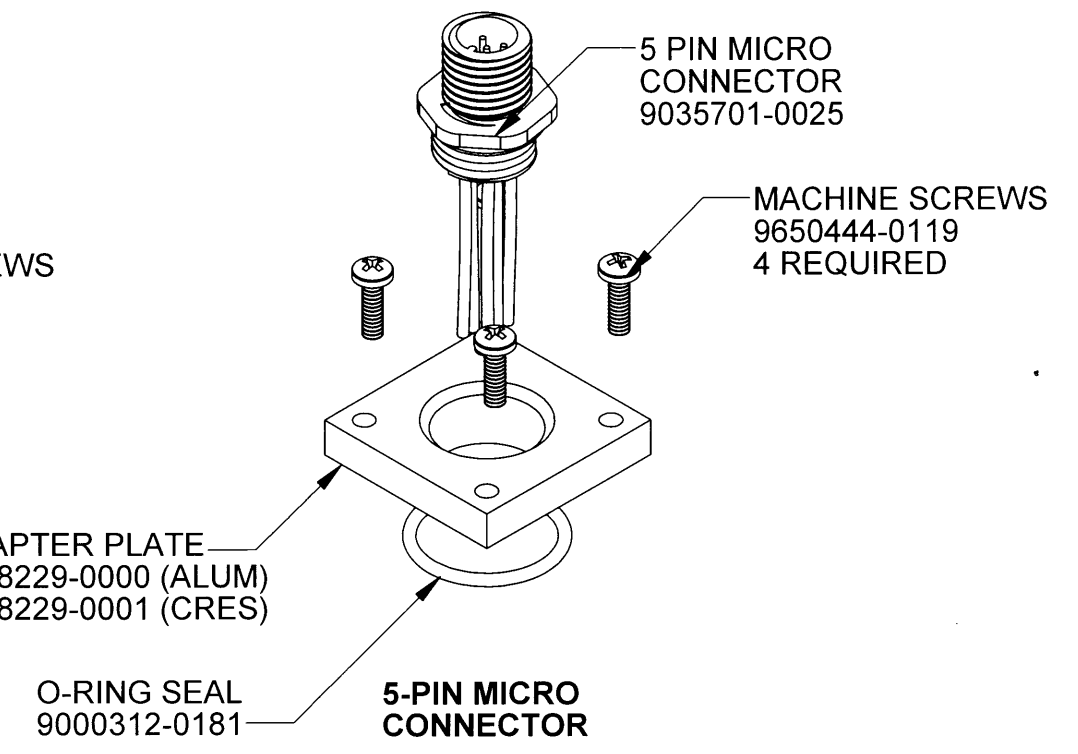
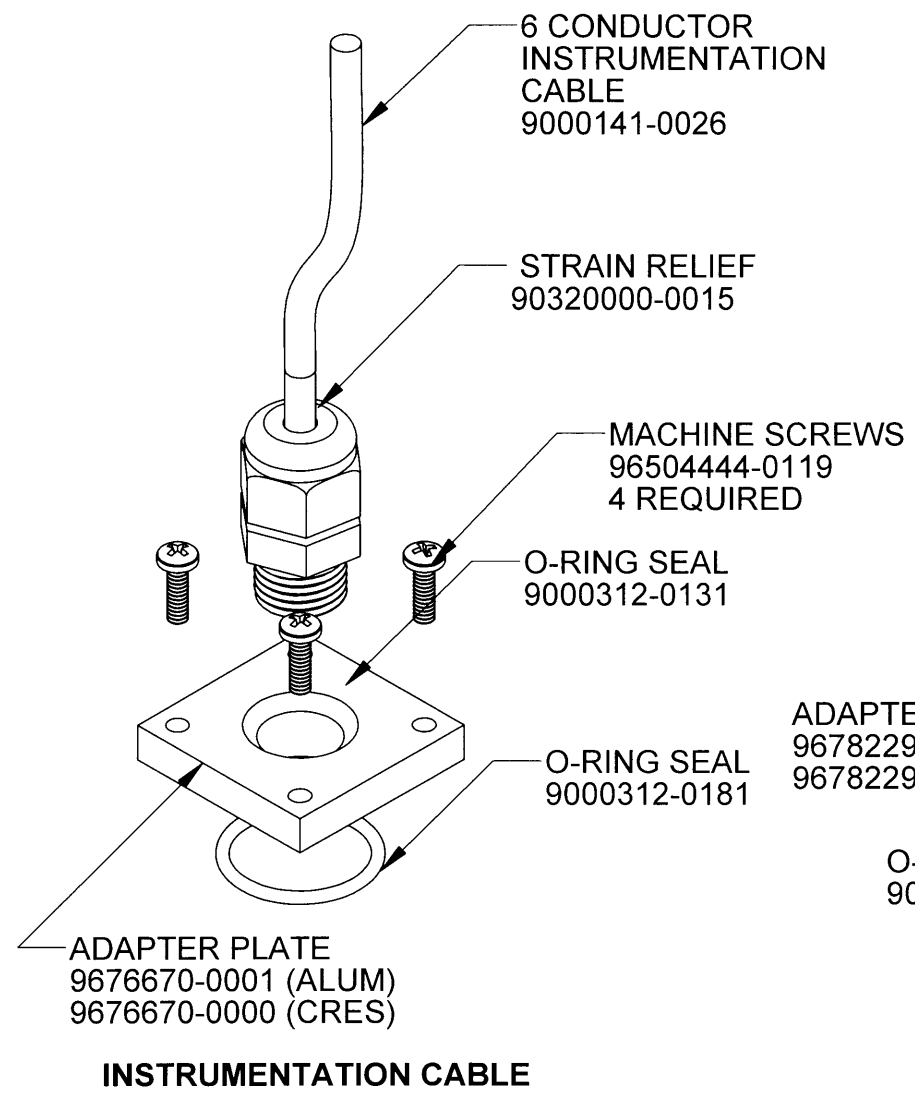
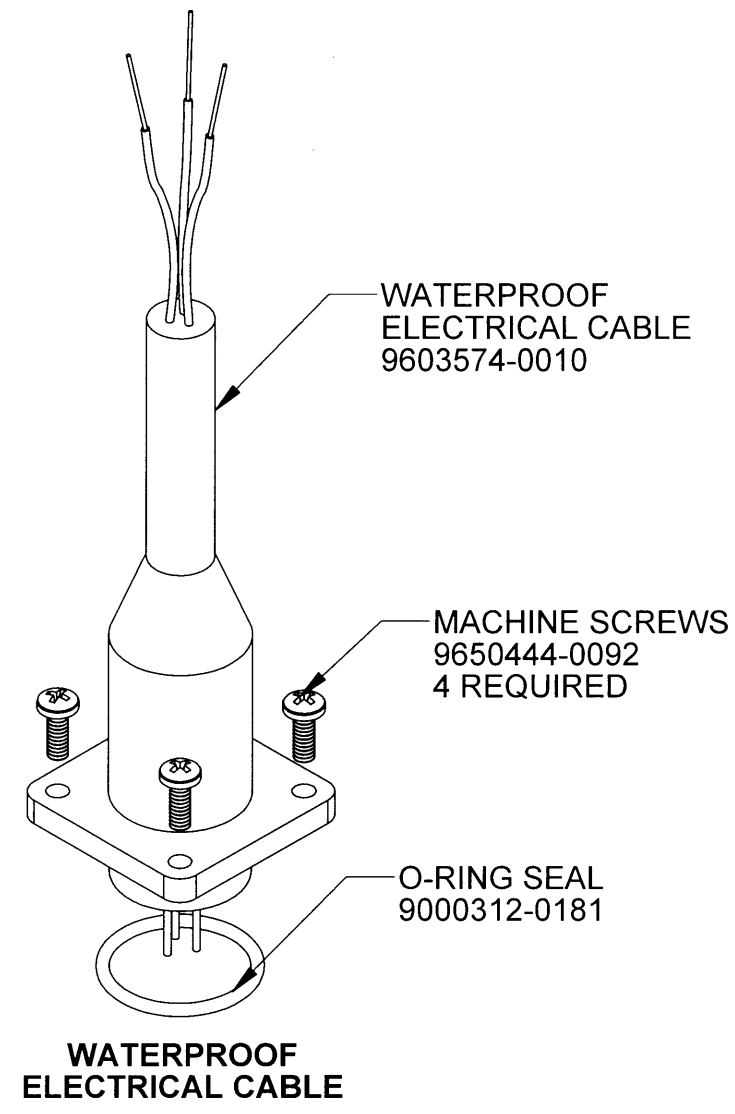
THIRD ANGLE PROJECTION



TITLE
**ASSEMBLY, 1/8-20 TURNS
RT8000 ROTARY TRANSDUCER**

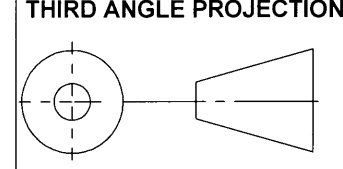
APPROVALS	DATE	SIZE	CODE IDENT. NO	DWG. NO.	REV
DRAWN A.ALVAREZ	08/19/06	B	52158	PS-122	B
CHKD <i>[Signature]</i>	<i>[Signature]</i>	DO NOT SCALE DRAWING		SCALE: 1:2	SHEET 3 OF 6

A
B
C
D
E
F
G



ORIGINAL

INFORMATION AND DATA SET FORTH HEREIN ARE DISCLOSED IN CONFIDENCE AND ARE PROPRIETARY TO AND THE PROPERTY OF CELESCO TRANSDUCER PRODUCTS INC. AND SHALL NOT BE USED, DUPLICATED, DISCLOSED OR TRANSFERRED, IN WHOLE OR IN PART, FOR ANY PURPOSE, WITHOUT THE EXPRESS PRIOR WRITTEN CONSENT OF CELESCO TRANSDUCER PRODUCTS INC.



celesco 20630 Plummer St
Chatsworth, CA. 91311
Tel:(818)701-2750 Fax:(818)701-2799
www.celesco.com

TITLE
**ASSEMBLY, 1/8-20 TURNS
RT8000 ROTARY TRANSDUCER**

APPROVALS		DATE	SIZE	CODE IDENT. NO	DWG. NO.	REV
DRAWN	A.ALVAREZ	08/19/06	B	52158	PS-122	B
CHKD	<i>[Signature]</i>	<i>[Date]</i>	SCALE: 1:2		SHEET 4 OF 6	
DO NOT SCALE DRAWING						

A
B
C
D
E
F
G

STEEL GEAR:
APPLY PRIMER 7649 TO SET
SCREW AND GEAR, THEN APPLY
LOCTITE 222 TO THREADS.
PLASTIC GEAR:
APPLY ONE DROP OF LOCTITE
425 INTO THE THREADS OF
PLASTIC GEAR, THEN INSERT
THE SET SCREW INTO GEAR.
TIGHTEN 1/4 TO 1/2 TURN PAST
INITIAL CONTACT.

USE PRIMER 7649
AND APPLY LOCTITE
222 ON THREADS.

USE PRIMER 7649 AND APPLY
LOCTITE 222 ON THREADS

DO NOT USE LOCTITE ON THIS BEARING

APPLY LOCTITE 7649 TO OUTER RACE OF BEARING
AND BORE OF HOUSING. APPLY A SMALL AMOUNT
OF LOCTITE 609 TO THE OUTER RACE OF BEARING.

APPLY A DROP OF LOCTITE 222 ON
THE THREADS OF THE POT.
TORQUE POT NUT TO 20-25 IN-LBS.

USE PRIMER 7649 AND APPLY
LOCTITE 222 ON THREADS

USE PRIMER 7649 AND APPLY
LOCTITE 222 ON THREADED HOLES

USE PRIMER 7649 AND APPLY
LOCTITE 222 ON THREADS

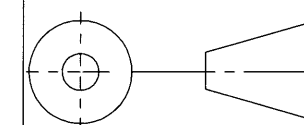
DO NOT USE LOCTITE
ON THESE SCREWS

ORIGINAL

1 ALL O-RINGS TO BE ENTIRELY COATED USING PARKER
SUPER-LUBE O-RING LUBRICANT.

INFORMATION AND DATA SET FORTH HEREIN ARE DISCLOSED IN CONFIDENCE
AND ARE PROPRIETARY TO AND THE PROPERTY OF CELESCO TRANSDUCER
PRODUCTS INC. AND SHALL NOT BE USED, DUPLICATED, DISCLOSED OR
TRANSFERRED, IN WHOLE OR IN PART, FOR ANY PURPOSE, WITHOUT THE
EXPRESS PRIOR WRITTEN CONSENT OF CELESCO TRANSDUCER PRODUCTS INC.

THIRD ANGLE PROJECTION



celesco 20630 Plummer St
Chatsworth, CA. 91311
Tel:(818)701-2750 Fax:(818)701-2799
www.celesco.com

TITLE
**ASSEMBLY, 1/8-20 TURNS
RT8000 ROTARY TRANSDUCER**

APPROVALS		DATE		SIZE	CODE IDENT. NO	DWG. NO.	REV
DRAWN A.ALVAREZ		08/19/06		B	52158	PS-122	B
CHKD <i>[Signature]</i>		<i>[Signature]</i>		SCALE: 1:2		SHEET 5 OF 6	
DO NOT SCALE DRAWING							

