

**TABLE I**

		80-200 TURNS
<b>MAIN SHAFTS (NO. OF TEETH)</b>	Ø 1/4, NO FLATS	9676992-0000 (10)
	Ø 1/4, WITH FLATS	9679295-0000 (10)
	Ø 6MM, NO FLATS	9677583-0000 (10)
	Ø 6MM, WITH FLATS	9679519-0000 (10)

**TABLE IV**

NUMBER OF SHAFT TURNS		
80 - 200 TURNS		
<b>POTENTIOMETER</b>	500 OHM	9085000-0003
	1K OHM	9085000-0006
	5K OHM	9085000-0010
	10K OHM	9085000-0002

**REVISIONS**

REV.	DESCRIPTION	DATE	APPROVED
A	RELEASE: SEE DCN 5430	12/12/2006	MSK

**TABLE II**

	80 TURNS	100 TURNS	120 TURNS	140 TURNS	180 TURNS	200 TURNS
<b>POTENTIOMETER GEAR AND PINION GEAR (NO. OF TEETH)</b>	9000440-0004 (29)	9000440-0033 (32)	9000440-0050 (36)	9000440-0041 (39)	9000440-0039 (44)	9000440-0018 (46)

**TABLE III**

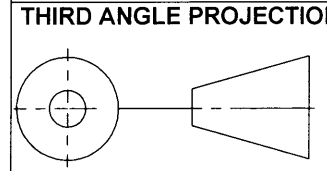
<b>COVER</b>	ALUMINUM	9677276-0000
	303 STAINLESS STEEL	9677295-0000
<b>HOUSING</b>	ALUMINUM	9678840-0000
	ALUMINUM, METRIC	9678572-0000
	303 STAINLESS STEEL	9678840-0001
	303 STAINLESS STEEL, METRIC	9678572-0001

FLANGE SCREWS  
9007121-9307 (INCH)  
9650444-0064 (METRIC)  
3 REQUIRED

OPTIONAL:  
FLANGE BRACKET  
9678777-0001 (INCH)  
9678777-0002 (METRIC)

**ORIGINAL**

INFORMATION AND DATA SET FORTH HEREIN ARE DISCLOSED IN CONFIDENCE AND ARE PROPRIETARY TO AND THE PROPERTY OF CELESCO TRANSDUCER PRODUCTS INC. AND SHALL NOT BE USED, DUPLICATED, DISCLOSED OR TRANSFERRED, IN WHOLE OR IN PART, FOR ANY PURPOSE, WITHOUT THE EXPRESS PRIOR WRITTEN CONSENT OF CELESCO TRANSDUCER PRODUCTS INC.



**celesco** 20630 Plummer St  
Chatsworth, CA. 91311  
Tel:(818)701-2750 Fax:(818)701-2799  
www.celesco.com

TITLE  
**ASSEMBLY, 80-200 TURNS  
RT8000 ROTARY TRANSDUCER**

APPROVALS		DATE	SIZE	CODE IDENT. NO	DWG. NO.	REV
DRAWN	A.ALVAREZ	12/14/06	B	52158	PS-124	A
CHKD	<i>[Signature]</i>	12/14/06				
DO NOT SCALE DRAWING			SCALE: 1:2		SHEET 1 OF 5	

A  
B  
C  
D  
E  
F  
G

**TABLE V**

		RT8101	RT8420	RT8510	RT8CN	RT8DN
<b>ELECTRONICS</b>	2 WIRE, 4-20 mA PCB ASSEMBLY		9604068-0001			
	3 WIRE, 0-20 mA PCB ASSEMBLY		9603662-0001			
	0-5 VDC PCB ASSEMBLY		9603660-0001			
	0-10 VDC PCB ASSEMBLY		9603660-0000			
	0-30 mV ADJUSTABLE BRIDGE CIRCUIT	9603980-0013				
	CAN BUS PCB ASSEMBLY			9604012-0001		
	DEVICE NET PCB ASSEMBLY				9604077-0001	

RT8101			
	POTENTIOMETER		
	CCW (1)	CW (3)	S (2)
6-PIN CONNECTOR	PIN A	PIN B	PIN C
INSTRUMENTATION CABLE	RED	BLACK	GREEN
WATERPROOF CABLE	WHITE	BLACK	GREEN

RT8420 (2 WIRE 4-20mA)			
	4-PIN HARNESS 604066		
	WHITE	BLACK	GREEN
6-PIN CONNECTOR	PIN A	PIN B	PIN D
INSTRUMENTATION CABLE	RED	BLACK	GREEN
WATERPROOF CABLE	WHITE	BLACK	GREEN
	3 PIN HARNESS 604019		
	WHITE	GREEN	BLACK
POTENTIOMETER	CCW (1)	S (2)	CW (3)

RT8DN AND RT8CN			
	3 PIN HARNESS 604019		
	WHITE	GREEN	BLACK
POTENTIOMETER	CCW (1)	S (2)	CW (3)

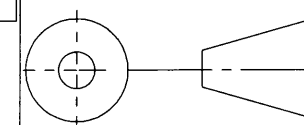
RT8420 3-WIRE (3-WIRE 4-20mA)			
	8-PIN HARNESS 604022 ON PC BOARD		
	RED	BLACK	GREEN
6-PIN CONNECTOR	PIN A	PIN B	PIN C
INSTRUMENTATION CABLE	RED	BLACK	GREEN
WATERPROOF CABLE	WHITE	BLACK	GREEN
	3-PIN HARNESS 604019 ON PC BOARD		
	GREEN	BLACK	WHITE
POTENTIOMETER	CCW (1)	CW (3)	S (2)

RT8510 (0-5 AND 0-10 VDC)			
	WIRES ON PC BOARD		
	RED	GREEN	BLACK
6-PIN CONNECTOR	PIN A	PIN B	PIN C
INSTRUMENTATION CABLE	RED	GREEN	BLACK
WATERPROOF CABLE	WHITE	GREEN	BLACK
	WIRES SOLDERED TO PC BOARD		
	WHITE (E3)	GREEN (E5)	BLACK (E4)
POTENTIOMETER	CCW (1)	S (2)	CW (3)

**ORIGINAL**

INFORMATION AND DATA SET FORTH HEREIN ARE DISCLOSED IN CONFIDENCE AND ARE PROPRIETARY TO AND THE PROPERTY OF CELESCO TRANSDUCER PRODUCTS INC. AND SHALL NOT BE USED, DUPLICATED, DISCLOSED OR TRANSFERRED, IN WHOLE OR IN PART, FOR ANY PURPOSE, WITHOUT THE EXPRESS PRIOR WRITTEN CONSENT OF CELESCO TRANSDUCER PRODUCTS INC.

THIRD ANGLE PROJECTION



**celesco** 20630 Plummer St  
Chatsworth, CA. 91311  
Tel:(818)701-2750 Fax:(818)701-2799  
www.celesco.com  
Transducer Products Inc.

TITLE  
**ASSEMBLY, 80-200 TURNS  
RT8000 ROTARY TRANSDUCER**

APPROVALS DATE

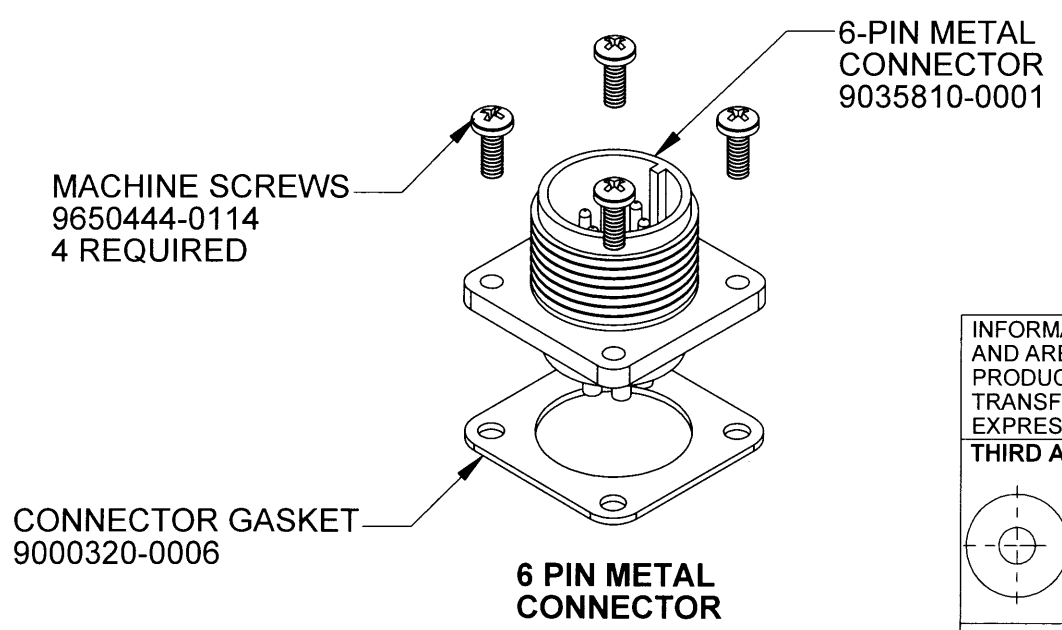
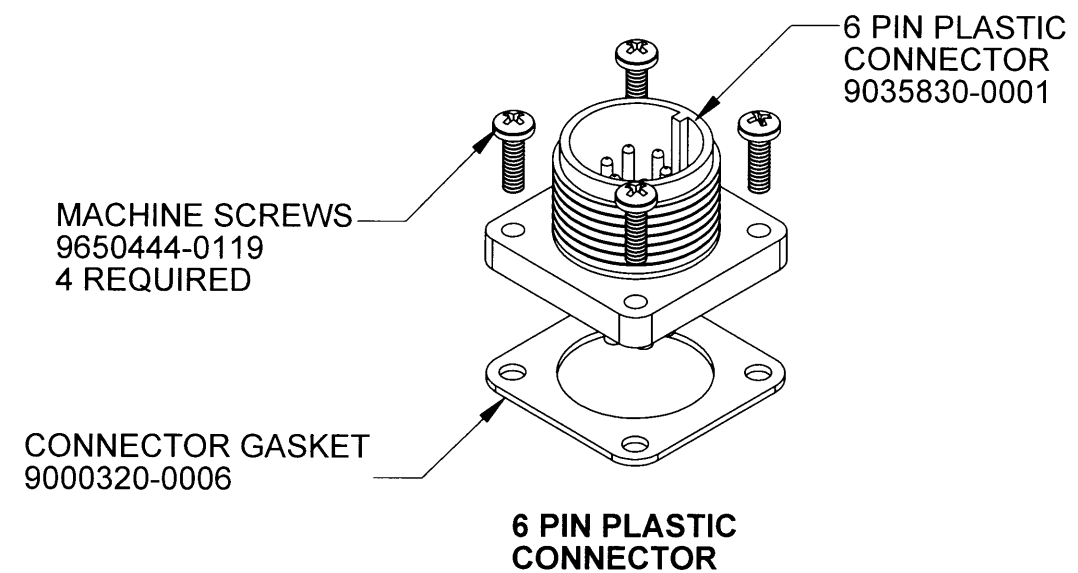
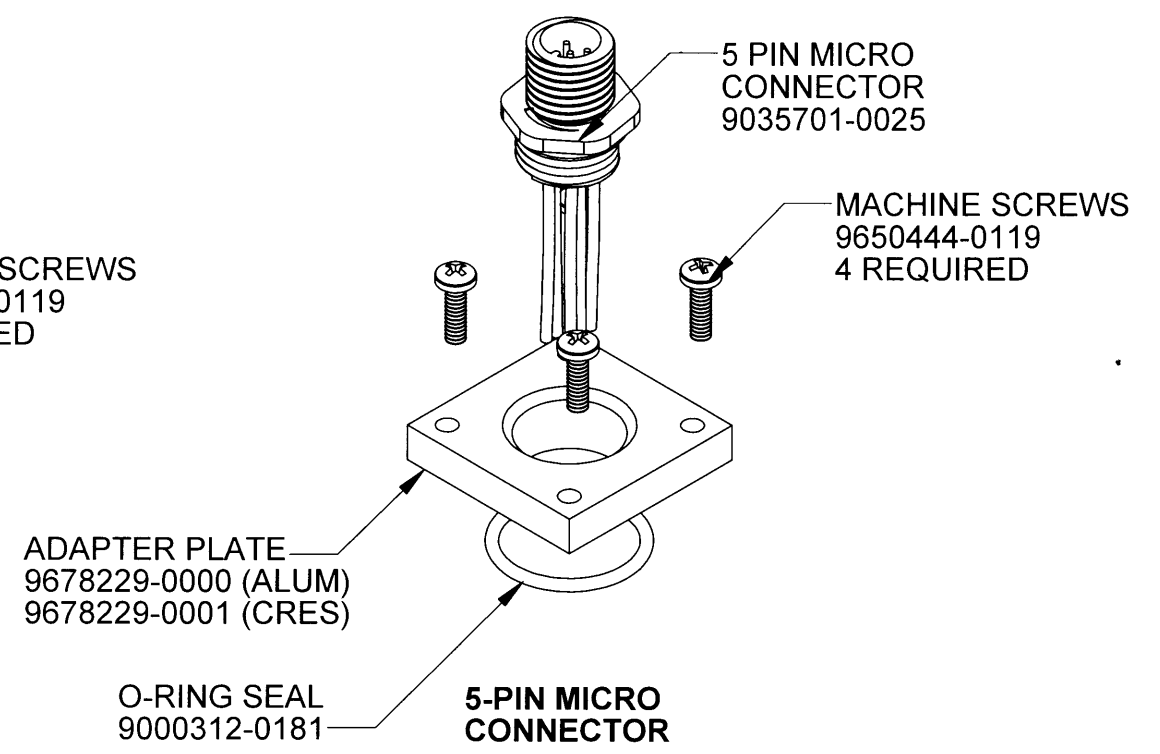
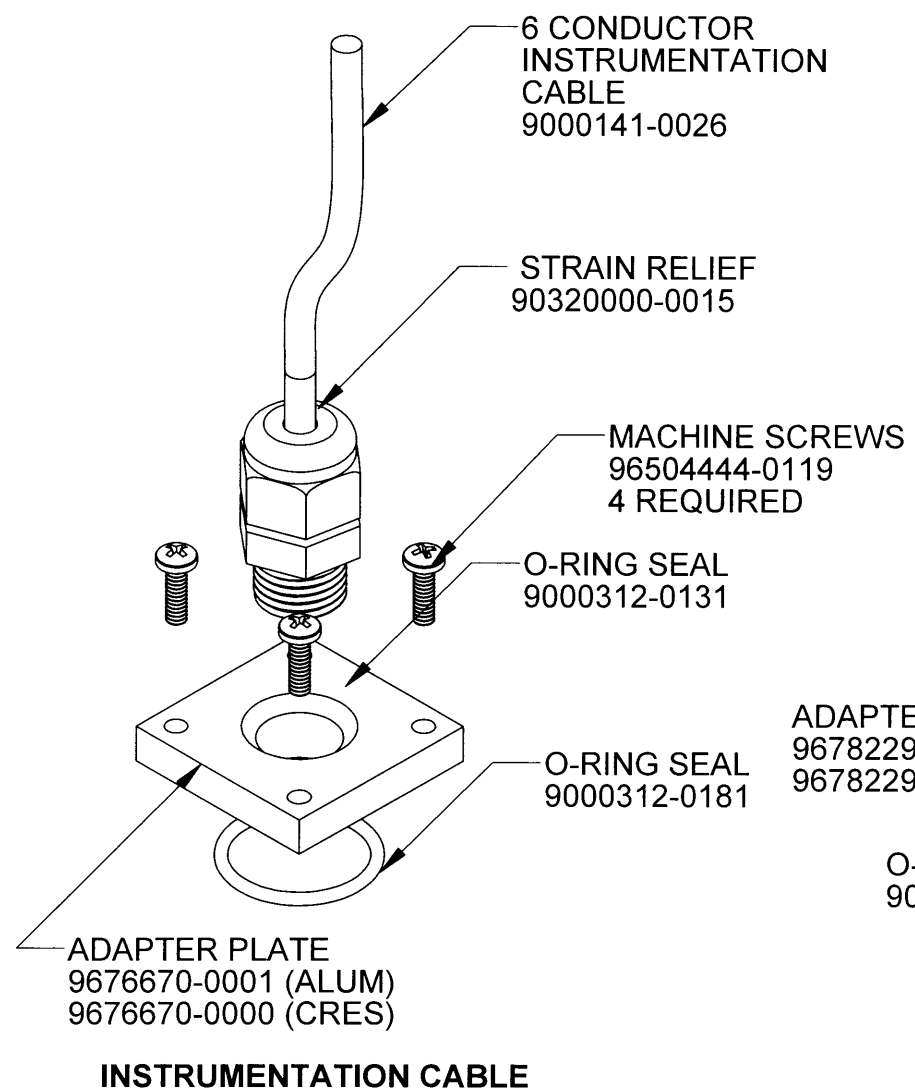
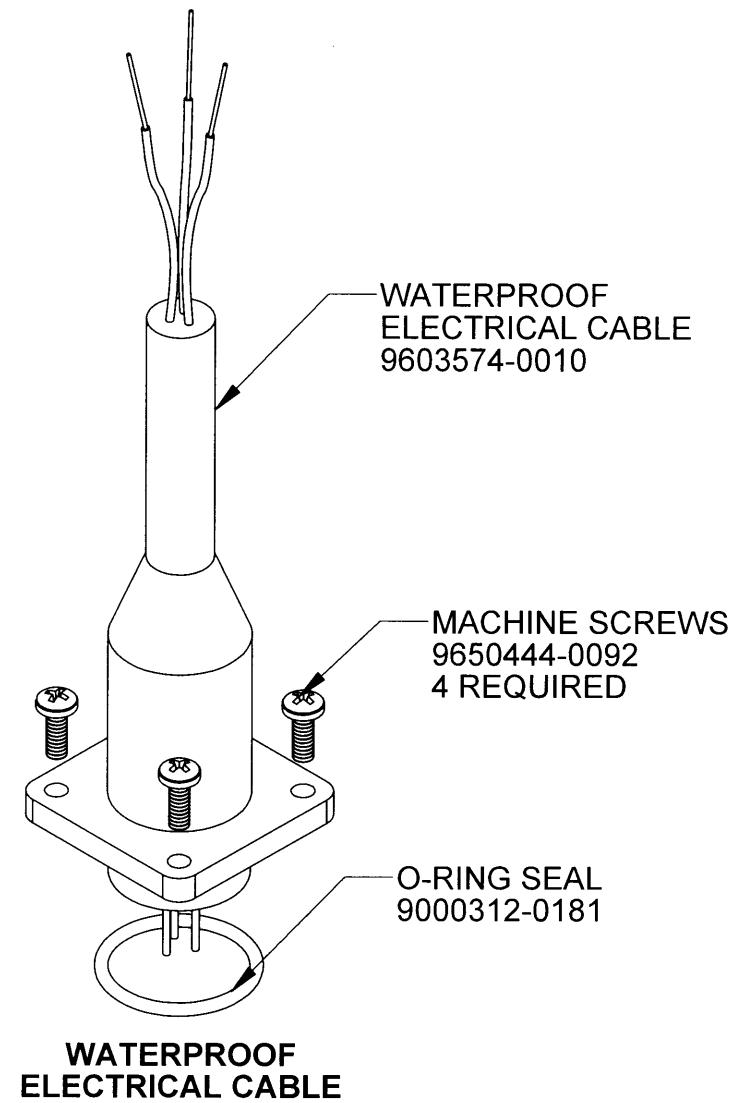
DRAWN A.ALVAREZ 12/14/06  
CHKD *[Signature]* 09/07/07

SIZE	CODE IDENT. NO	DWG. NO.	REV
<b>B</b>	<b>52158</b>	<b>PS-124</b>	<b>A</b>

DO NOT SCALE DRAWING

SCALE: 1:2 SHEET 2 OF 5

A  
B  
C  
D  
E  
F  
G



**ORIGINAL**

INFORMATION AND DATA SET FORTH HEREIN ARE DISCLOSED IN CONFIDENCE AND ARE PROPRIETARY TO AND THE PROPERTY OF CELESCO TRANSDUCER PRODUCTS INC. AND SHALL NOT BE USED, DUPLICATED, DISCLOSED OR TRANSFERRED, IN WHOLE OR IN PART, FOR ANY PURPOSE, WITHOUT THE EXPRESS PRIOR WRITTEN CONSENT OF CELESCO TRANSDUCER PRODUCTS INC.

THIRD ANGLE PROJECTION

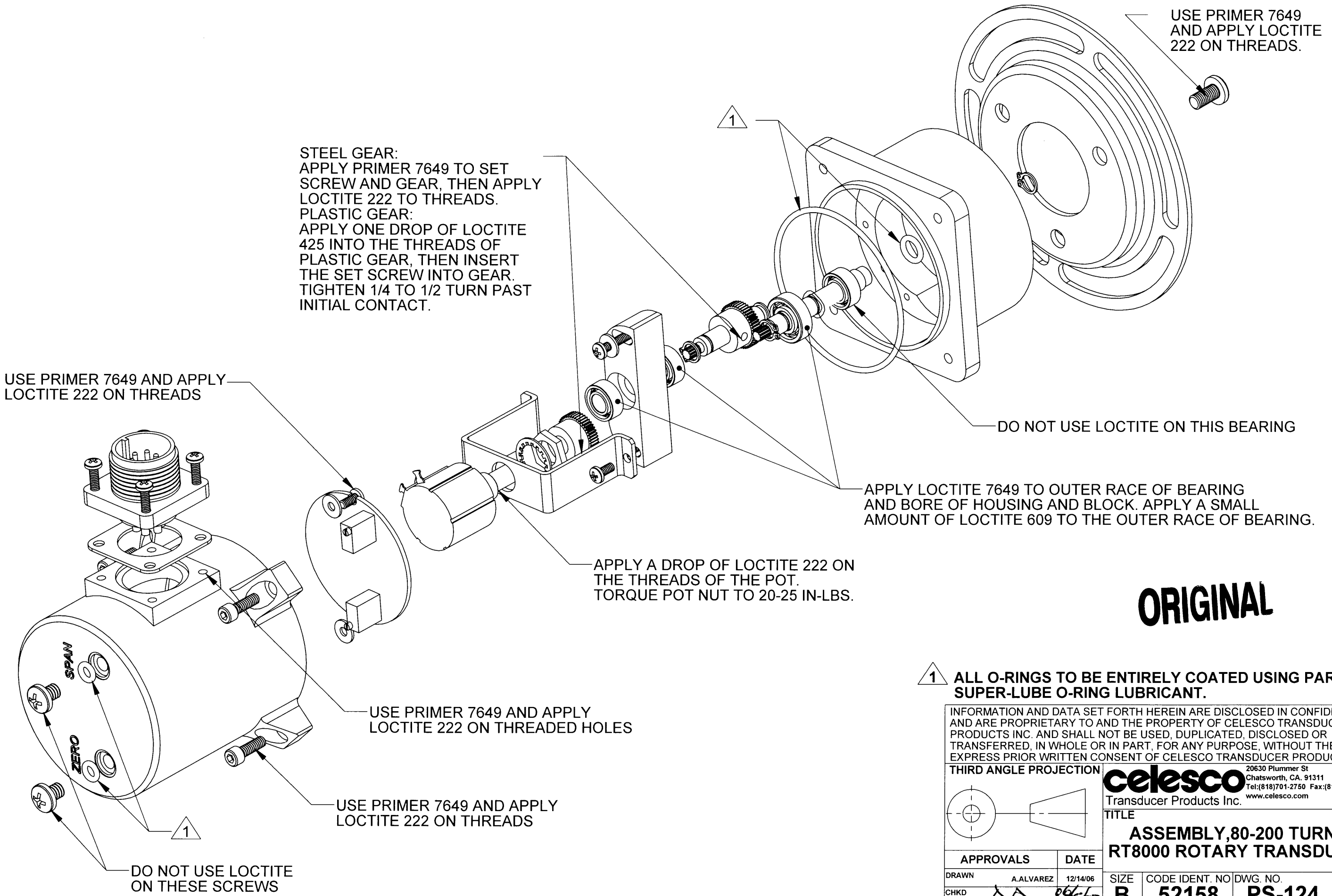
**celesco** 20630 Plummer St  
Chatsworth, CA. 91311  
Tel:(818)701-2750 Fax:(818)701-2799  
www.celesco.com

Transducer Products Inc.

TITLE  
**ASSEMBLY, 80-200 TURNS  
RT8000 ROTARY TRANSDUCER**

APPROVALS	DATE	SIZE	CODE IDENT. NO	DWG. NO.	REV
DRAWN A. ALVAREZ	12/14/06	<b>B</b>	<b>52158</b>	<b>PS-124</b>	<b>A</b>
CHKD		SCALE: 1:2		SHEET 3 OF 5	
DO NOT SCALE DRAWING					

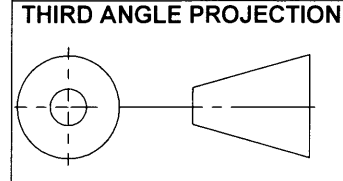
A  
B  
C  
D  
E  
F  
G



**ORIGINAL**

1 ALL O-RINGS TO BE ENTIRELY COATED USING PARKER SUPER-LUBE O-RING LUBRICANT.

INFORMATION AND DATA SET FORTH HEREIN ARE DISCLOSED IN CONFIDENCE AND ARE PROPRIETARY TO AND THE PROPERTY OF CELESCO TRANSDUCER PRODUCTS INC. AND SHALL NOT BE USED, DUPLICATED, DISCLOSED OR TRANSFERRED, IN WHOLE OR IN PART, FOR ANY PURPOSE, WITHOUT THE EXPRESS PRIOR WRITTEN CONSENT OF CELESCO TRANSDUCER PRODUCTS INC.



20630 Plummer St  
Chatsworth, CA. 91311  
Tel:(818)701-2750 Fax:(818)701-2799  
www.celesco.com

**celesco**  
Transducer Products Inc.  
TITLE  
**ASSEMBLY, 80-200 TURNS  
RT8000 ROTARY TRANSDUCER**

APPROVALS		DATE	SIZE	CODE IDENT. NO	DWG. NO.	REV
DRAWN	A. ALVAREZ	12/14/06	B	52158	PS-124	A
CHKD	<i>[Signature]</i>	06/17/07	SCALE: 1:2		SHEET 4 OF 5	



# DRAWING CHANGE NOTICE

DRAWING NO. **PS-124** REV. **A**  
**SHEET 5 OF 5**

DISPOSITION OF PARTS	USE AS IS	MUST CONFORM	PART NAME <b>ASSEMBLY, 80-200 TURNS</b>			DCN NO. <b>5430</b>		
IN FABRICATION		X	<b>ENGINEERING APPROVAL</b>			COPIES TO	YES	NO
IN STOCK		X		SIGNATURE	DATE	ENGINEERING	X	
BOXED PARTS		X	PREPARED BY	A. ALVAREZ	12/14/06	INSPECTION	X	
IN ASSEMBLIES		X	CHECKED BY	<i>[Signature]</i>	06/05/07	PLANNING	X	
IN BOND		X	APPROVED	<i>MSK</i>	6/5/07	PRODUCTION	X	
CUSTOMER REWORK		X	GEN MGR	X	X	PURCHASING	X	
			DCR NO. (IF APPLICABLE)	<b>0000</b>		QMR	X	
						SALES	X	

CHANGE NO	REVISED OR CHANGED FROM	ZONE	ADDED OR CHANGED TO
1	RT8420 3-WIRE POT CONNECTION ON SHEET 2 WAS: GREEN: CCW (1) BLACK: S (2) WHITE: CW (3)		IS NOW: GREEN: CCW (1) BLACK: CW (3) WHITE: S (2)
2	TABLE V DEVICE NET BOARD WAS: 9603945-0001	B8	IS NOW: 9604077-0001
3	TABLE V (SHEET 2) RT8101 BRIDGE WAS 9603683-0001	B4	IS NOW: 9603980-0013

NOTES  
 1. POT WIRING REVISED FOR USE ON 603662, REV.D BOARD ASSEMBLY  
 2. UPDATE PC BOARD ASSEMBLY

REMARKS: