



- Compact Measurement
- Contactless Measurement
- Very Long Life
- High Accuracy
- Very Low Noise Output Signal

RCS3100 Angle sensors are products that measure with magnetic operating principle. There are many different angle options from 0 ... 30 degrees to 0 ... 360 degrees. The sturdy metal body against the external factors increases the durability.

The small body design is very easy to install. With its reinforced body and protection class, it is resistant to external factors.

### RCS 3100 Analog Angle Sensors Usage Areas:

- Robot Applications
- Agricultural machinery
- Printing Machines
- Special Machine Applications
- On-Board Equipment Applications
- Automation Applications

### Technical Specifications

Supply Voltage	24 VDC $\pm 6V$ 5 VDC $\pm 0,5V$
Output Signal	0,5- 4,5 VDC Voltaj Output (Supply Voltage 5V $\pm 0,5V$ ) Load $\geq 1K\Omega$
Measurement Range	0...30, 0...360 ( At intervals of 10 ° )
Independent Linearity	$\pm 0,5$ %
Shaft Structure	Stainless Steel
Protection Class	IP65 optional IP68
Installation	2 pieces of M4
Body	Aluminum
Life	50 million
Reverse Voltage Protection	Yes, just supply
Operating Speed	120 rpm
Accuracy	% 0.5
Cable Length	500 mm
Operating Temperature	-25 to + 85 ° optional -40 to + 100 °

### Order Details

#### Model No

RCS 3100

120

PP

V3

0,5 M

#### Supply Voltage

PP : 24VDC  $\pm 0,5V$   
TTL : 5VDC  $\pm 0,5V$

#### Cable Length

0,5M : 0,5 Meter  
1M : 1 Meter

#### Angle Value

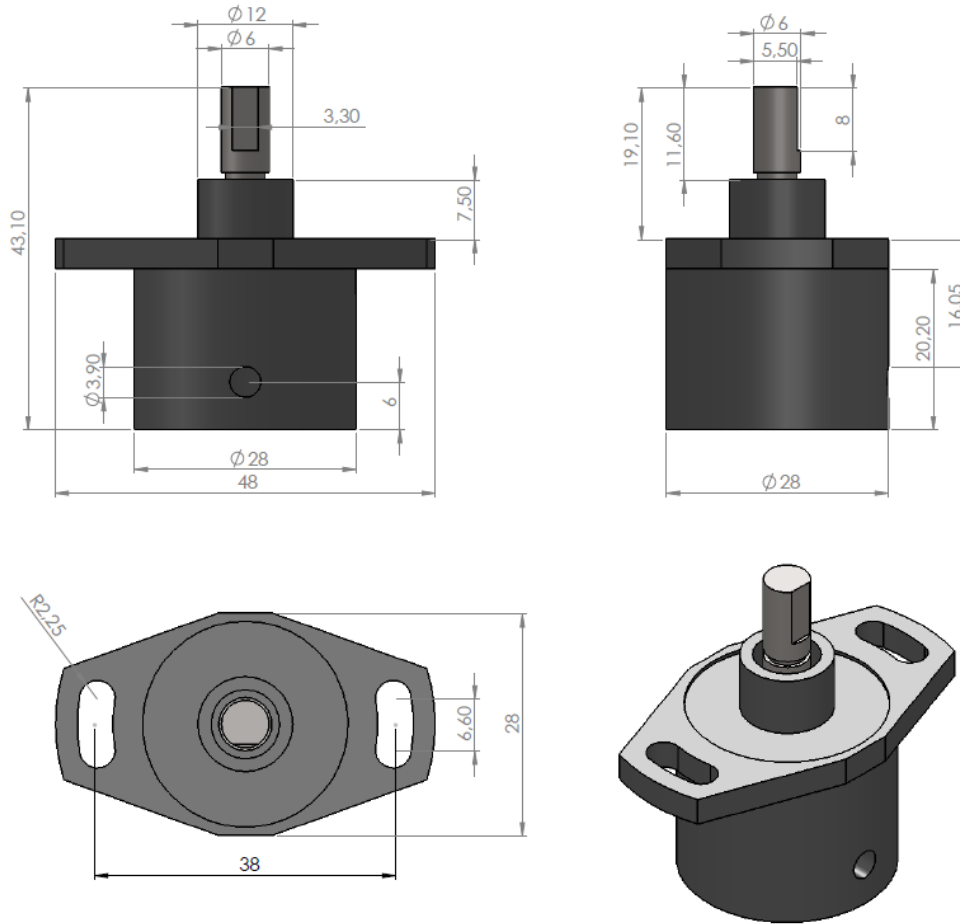
30 : 0...30 Degree  
120 : 0...120 Degree  
360 : 0...360 Degree

#### Output Signal

V : 0-10VDC ( standard model )  
V1 : 0-5VDC  
V2 : 1-6VDC  
V3 : 0,5-4,5VDC



## Mechanical Measurements



## Connection

### Connections

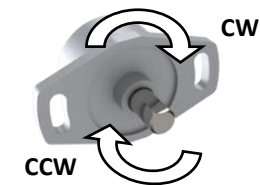
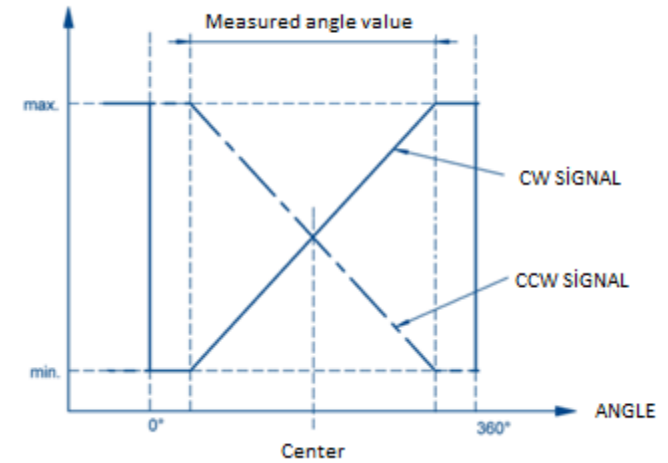
( - ) Supply	Black
( + ) Supply	Red
Output Signal - CW	Yellow
Output Signal - CCW	Green

Note: The GND line of the Supply and Signal output is common.

Due to double output, since the CW tip increases in clockwise direction, the CCW tip decreases symmetrically, so it can be connected with a 4-wire cable.

Reverse polarity protection is available.

### SIGNAL



## Atek Sensor Technology A.S.



Tuzla Kimya Sanayicileri Org. San. Bolg. Melek Aras Bulvari, No:67 34956 Tuzla - Istanbul / TURKEY

Tel: +90 216 399 44 04

Fax: +90 216 399 44 02

[www.ateksensor.com](http://www.ateksensor.com)

[info@ateksensor.com](mailto:info@ateksensor.com)



**Address / Endereço:**

Rua Sete de Setembro, 2656  
13560-181 - São Carlos - SP  
Brazil / Brasil

**Phone / Telefone:**

+55 (16) 3371-0112  
+55 (16) 3372-7800

**Internet:**

www.metrolog.net  
metrolog@metrolog.net