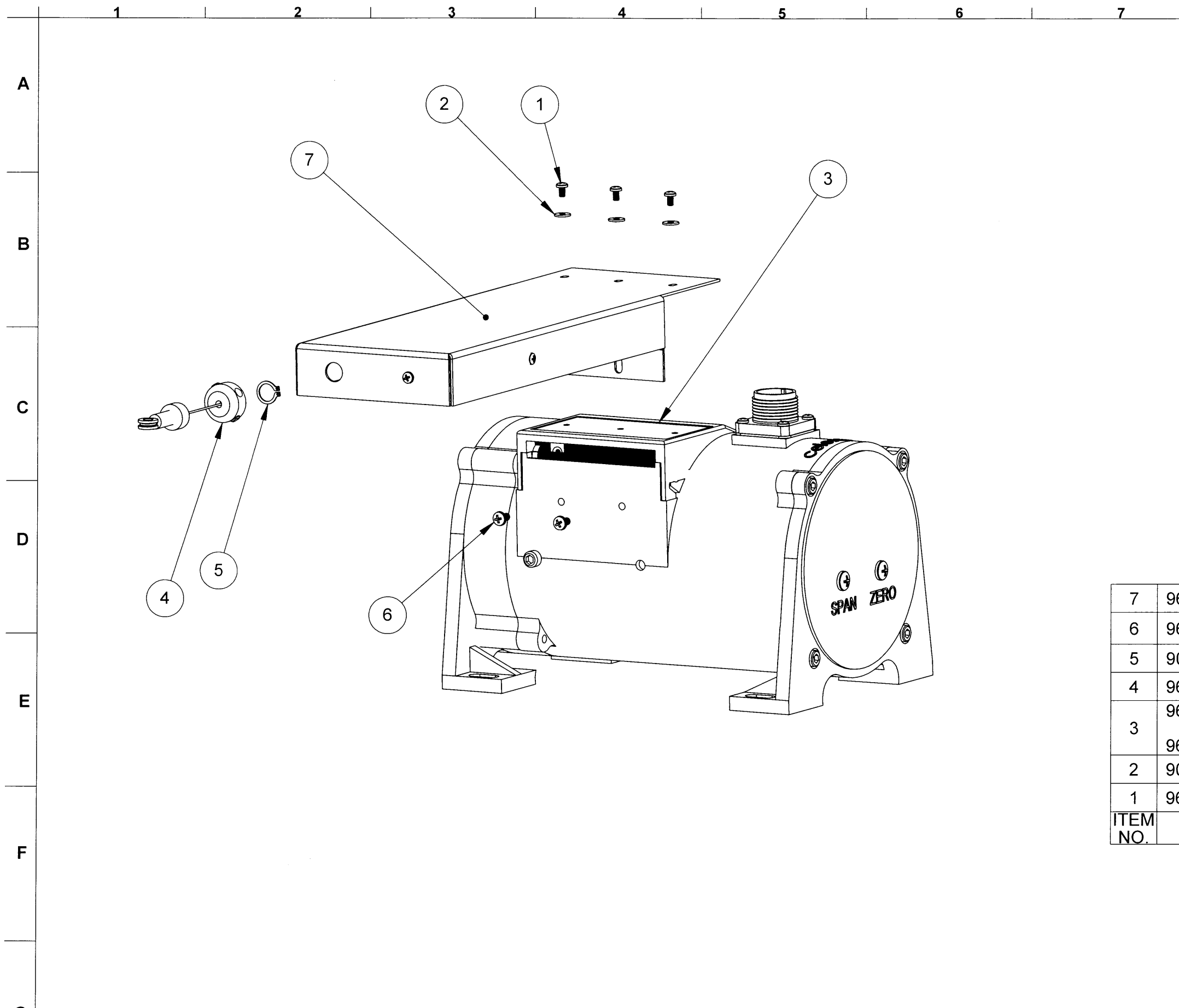


REVISIONS

REV.	DESCRIPTION	DATE	APPROVED
A	SEE DCN: 5453	12/28/06	MSK

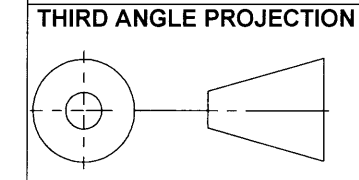


ORIGINAL

ITEM NO.	PART NUMBER	DESCRIPTION	QTY.
7	9676890-0000	BRACKET, CABLE GUIDE, CRES	1
6	9650444-0168	MSCR CRES .138-32 X .25 LONG, PAN HD	2
5	9000460-0009	RETAINING RING, EXTERNAL, 0.343 DIA	1
4	9604029-0000	SUBASSY, CABLE WIPER, NYLON	1
3	9678475-0000 OR 9678475-0001	COVER, CABLE, ALUM, RBS9000 ----- COVER, CABLE, CRES, RBS9000	1
2	9003101-4000	WASHER, CRES, #4, PLAIN	3
1	9650444-0125	MSCR CRES 0.112-40X0.19 XRSPHNH	3

1. ASSEMBLE USING PS-119 FOR DETAILS NOT SHOWN ON THIS DRAWING.
NOTES: UNLESS OTHERWISE SPECIFIED

INFORMATION AND DATA SET FORTH HEREIN ARE DISCLOSED IN CONFIDENCE AND ARE PROPRIETARY TO AND THE PROPERTY OF CELESCO TRANSDUCER PRODUCTS INC. AND SHALL NOT BE USED, DUPLICATED, DISCLOSED OR TRANSFERRED, IN WHOLE OR IN PART, FOR ANY PURPOSE, WITHOUT THE EXPRESS PRIOR WRITTEN CONSENT OF CELESCO TRANSDUCER PRODUCTS INC



celesco 20630 Plummer St
 Chatsworth, CA. 91311
 Tel:(818)701-2750 Fax:(818)701-2799
 www.celesco.com

TITLE
RBS9000 ASSEMBLY DRAWING
75 THRU 550 INCH RANGES

APPROVALS		DATE	SIZE	CODE IDENT. NO	DWG. NO.	REV
DRAWN	M. KRATOFIL	12/28/06	B	52158	PS-125	A
CHKD	<i>[Signature]</i>	<i>[Signature]</i>	DO NOT SCALE DRAWING		SCALE: 1:4	SHEET 1 OF 3

A

B

C

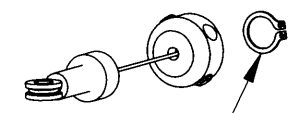
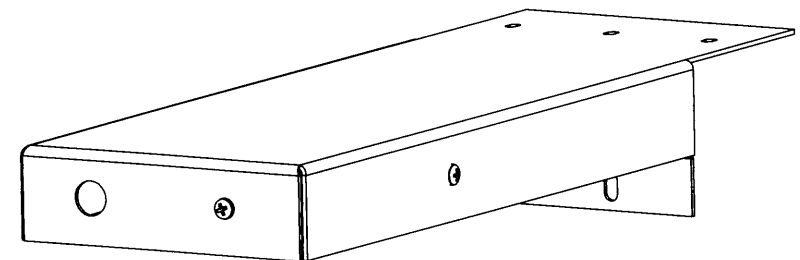
D

E

F

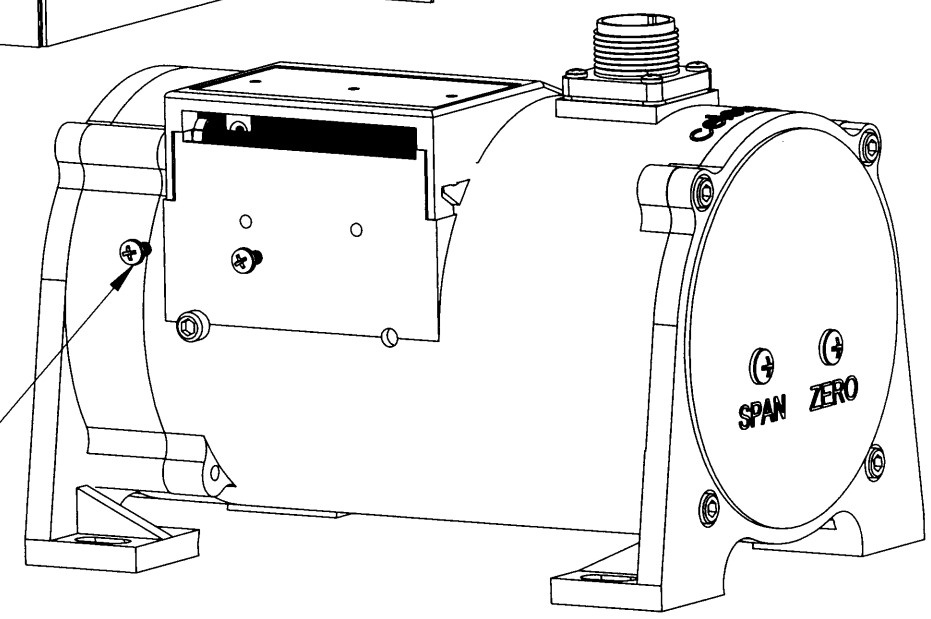
G

USE PRIMER 7649 AND
LOCTITE 222 ON SCREWS



SNAP RING TO BE
INSTALLED ON CABLE
GUIDE FROM INSIDE
OF THE CABLE GUIDE
BRACKET

USE PRIMER 7649 AND
LOCTITE 222 ON SCREWS



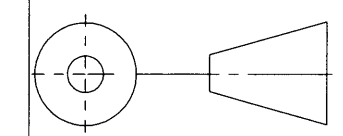
ORIGINAL

1. REFER TO PS-119 FOR ALL ADHESIVES NOT COVERED BY THIS PRINT.

NOTES: unless otherwise specified

INFORMATION AND DATA SET FORTH HEREIN ARE DISCLOSED IN CONFIDENCE AND ARE PROPRIETARY TO AND THE PROPERTY OF CELESCO TRANSDUCER PRODUCTS INC. AND SHALL NOT BE USED, DUPLICATED, DISCLOSED OR TRANSFERRED, IN WHOLE OR IN PART, FOR ANY PURPOSE, WITHOUT THE EXPRESS PRIOR WRITTEN CONSENT OF CELESCO TRANSDUCER PRODUCTS INC.

THIRD ANGLE PROJECTION



celesco 20630 Plummer St
Chatsworth, CA. 91311
Tel:(818)701-2750 Fax:(818)701-2799
www.celesco.com
Transducer Products Inc.

TITLE
**RBS9000 ASSEMBLY DRAWING
75 THRU 550 INCH RANGES**

APPROVALS		DATE	SIZE	CODE IDENT. NO	DWG. NO.	REV
DRAWN	M.KRATOFIL	12/28/06	B	52158	PS-125	A
CHKD	<i>[Signature]</i>	<i>[Signature]</i>	DO NOT SCALE DRAWING		SCALE: 1:2	SHEET 2 OF 3

