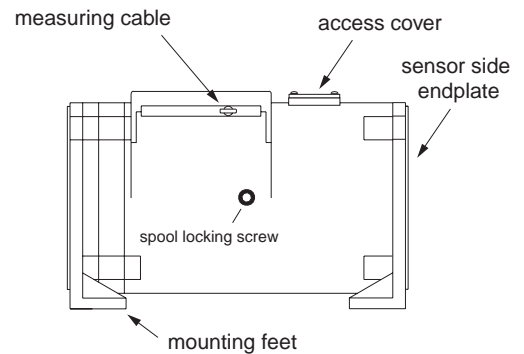


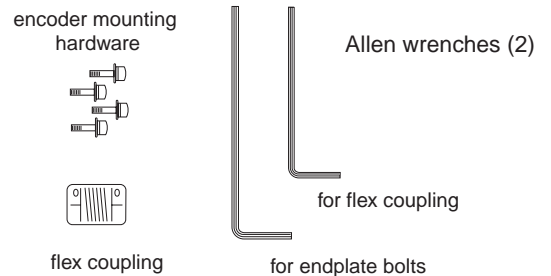
PT9600 installation instructions

1. Remove spool locking screw.
2. Attach encoder as described below.
3. Mount transducer via the 4 mounting feet to a flat solid surface.
4. Connect measuring cable limiting misalignment to 10°.

PT9600

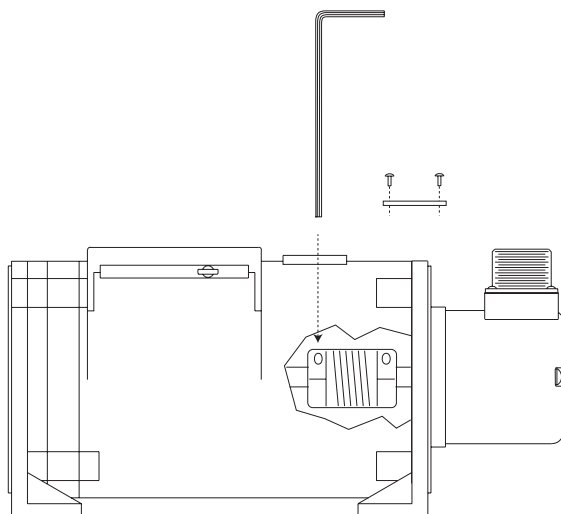
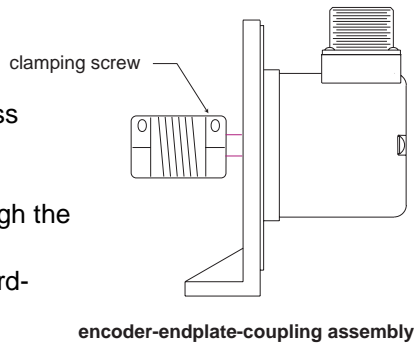


included hardware and tools



ENCODER MOUNTING INSTRUCTIONS

1. Remove the 4 Allen screws which fasten the sensor end plate to the main body. Remove end plate and O-ring.
2. Remove the 4 Phillips screws which fasten access cover.
3. Insert encoder shaft through the mounting plate and attach encoder with mounting hardware.
4. Slide flexible coupling onto the encoder shaft and tighten clamping screw.



5. Insert encoder-endplate-coupling assembly on body of transducer ensuring that clamping screws align with access cover (never force the coupling onto the shaft).
6. Fasten end plate to transducer housing.
7. Tighten remaining coupling clamping screws.
8. Pull measuring cable and check to see if encoder shaft is turning and if operation is smooth.
9. Replace access cover and O-ring.