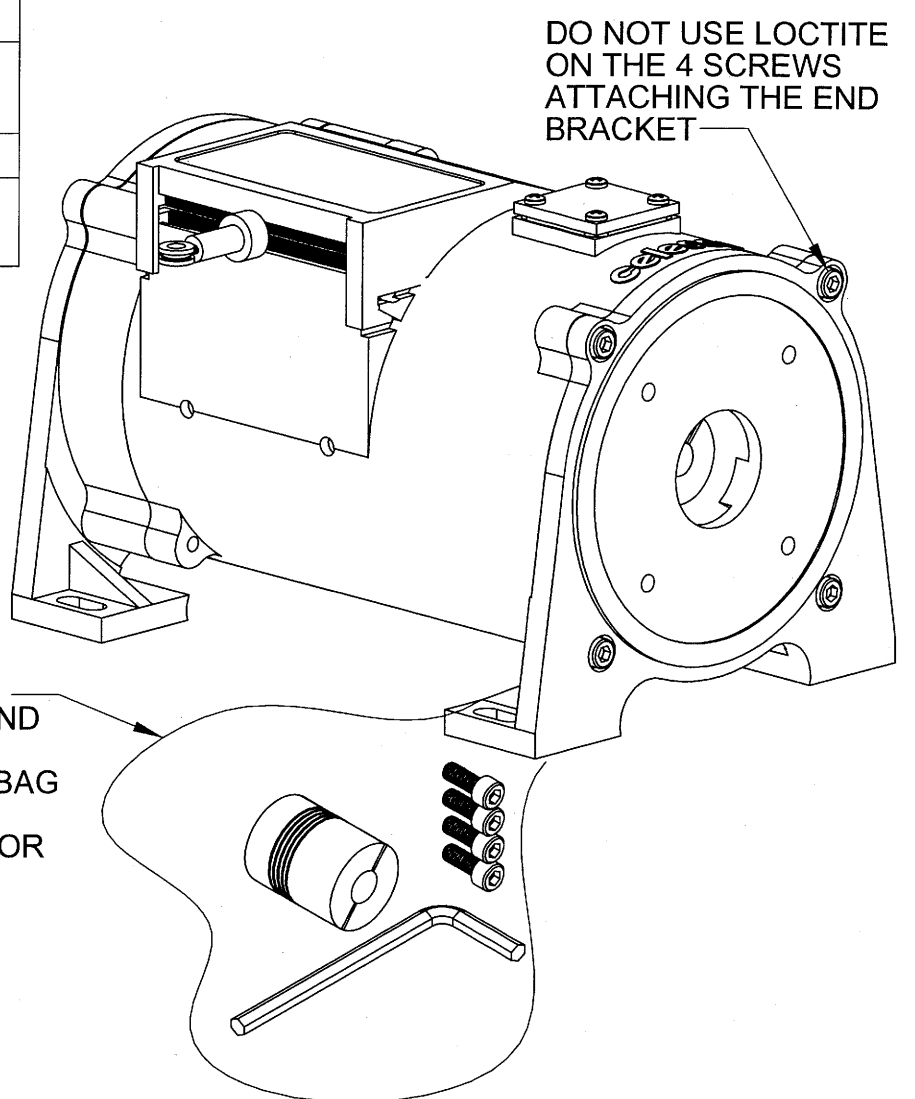
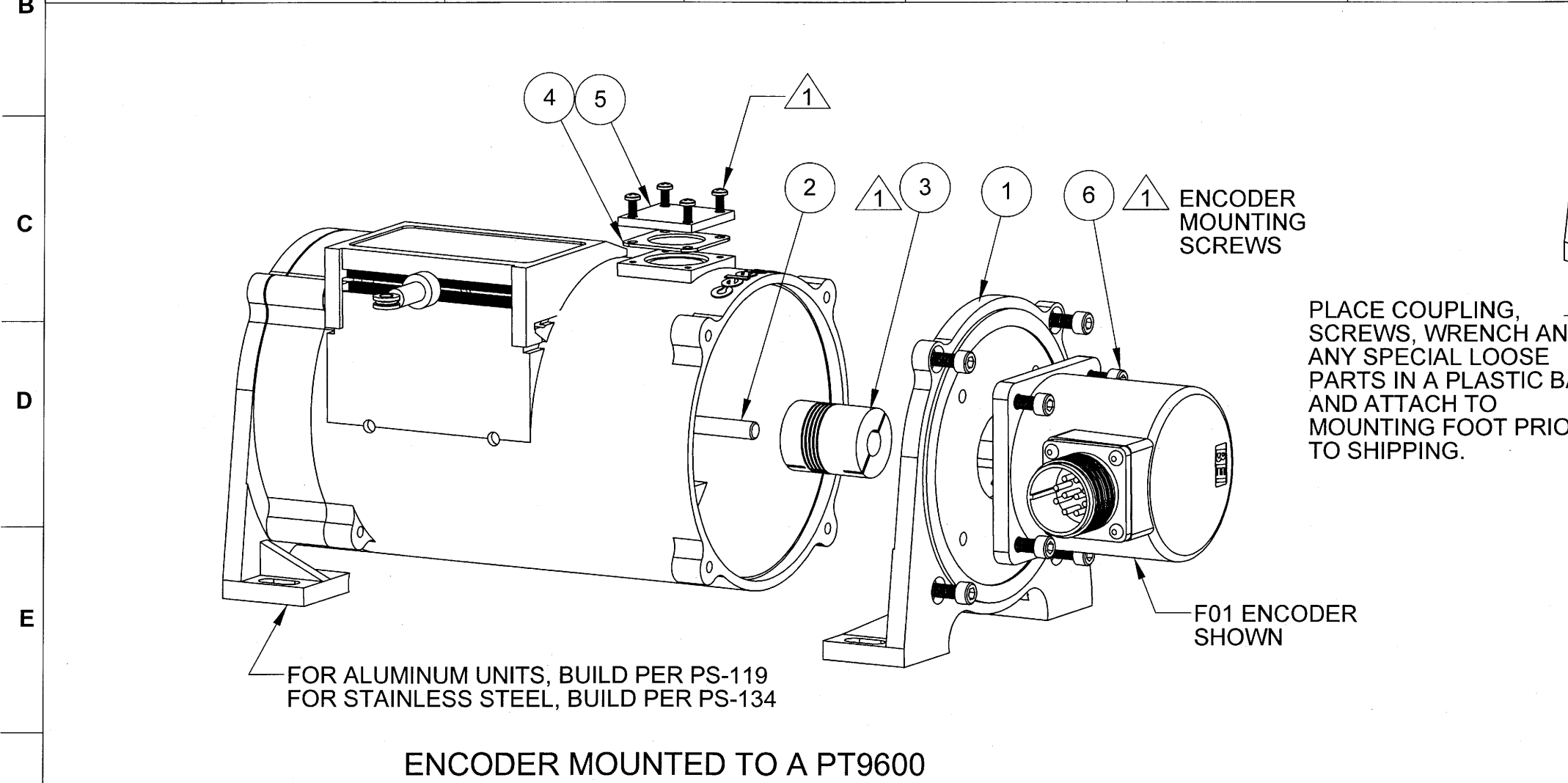


TABLE 1						
MOUNTING OPTION	MOUNTING BRACKET (ALUMINUM)	MOUNTING BRACKET (STAINLESS STEEL)	MAIN SHAFT	ENCODER MOUNTING SCREWS (QTY)	HEX WRENCH (QTY)	COUPLING
F01	9603625-0000	9603625-0002	9676756-0000	9650444-0066 (4)	9000040-0017 (1)	9000400-0120
F02	9603648-0000	9603648-0002	9676756-0002	9650444-0054 (4)		
S01	9679129-0000	9679129-0002	9676756-0005	9650444-0015 (3)	9000040-0016 (1)	9000400-0126
S02	9603754-0000	9603754-0001	9676756-0000		9000040-0021 (1)	9000400-0143
S04	9603645-0000	9603645-0002	9676756-0000	9650444-0007 (3)		

REVISIONS			
REV.	DESCRIPTION	DATE	APPROVED
A	SEE DCN: 6703	05/29/09	<i>MSK</i>



PT9600 WITHOUT AN ENCODER

ORIGINAL

ENCODER MOUNTED TO A PT9600

ITEM NO.	PART NUMBER	DESCRIPTION	QTY.
6	SEE TABLE 1	ENCODER MOUNTING SCREWS	SEE TABLE 1
5	9676751-0000	CONNECTOR COVER,CRES	1
4	9000320-0006	RUBBER GASKET, FLANGED CONN	1
3	SEE TABLE 1	COUPLING,FLEXIBLE SHAFT	1
2	SEE TABLE 1	SHAFT,MAIN,PT9600	1
1	SEE TABLE 1	BRACKET,MOUNTING,PT9600	1

1 USE LOCTITE PRIMER 7649 ON ALL SCREWS AND FLEXIBLE COUPLING. ALLOW TO DRY. THEN APPLY LOCTITE 222 ON FASTENERS.

NOTES: UNLESS OTHERWISE NOTED

INFORMATION AND DATA SET FORTH HEREIN ARE DISCLOSED IN CONFIDENCE AND ARE PROPRIETARY TO AND THE PROPERTY OF CELESCO TRANSDUCER PRODUCTS INC. AND SHALL NOT BE USED, DUPLICATED, DISCLOSED OR TRANSFERRED, IN WHOLE OR IN PART, FOR ANY PURPOSE, WITHOUT THE EXPRESS PRIOR WRITTEN CONSENT OF CELESCO TRANSDUCER PRODUCTS INC.

THIRD ANGLE PROJECTION

celesco 20630 Plummer St
Chatsworth, CA. 91311
Tel:(818)701-2750 Fax:(818)701-2799
www.celesco.com

Transducer Products Inc.

TITLE
**PT9600 ASSEMBLY DRAWING
ALUMINUM, 75-1700 INCHES**

APPROVALS		DATE	SIZE	CODE IDENT. NO	DWG. NO.	REV
DRAWN	E.GARCIA	05/29/09	B	52158	PS-157	A
CHKD	<i>AE</i>	5/29/09				

DO NOT SCALE DRAWING SCALE: 1:2 SHEET 1 OF 2

