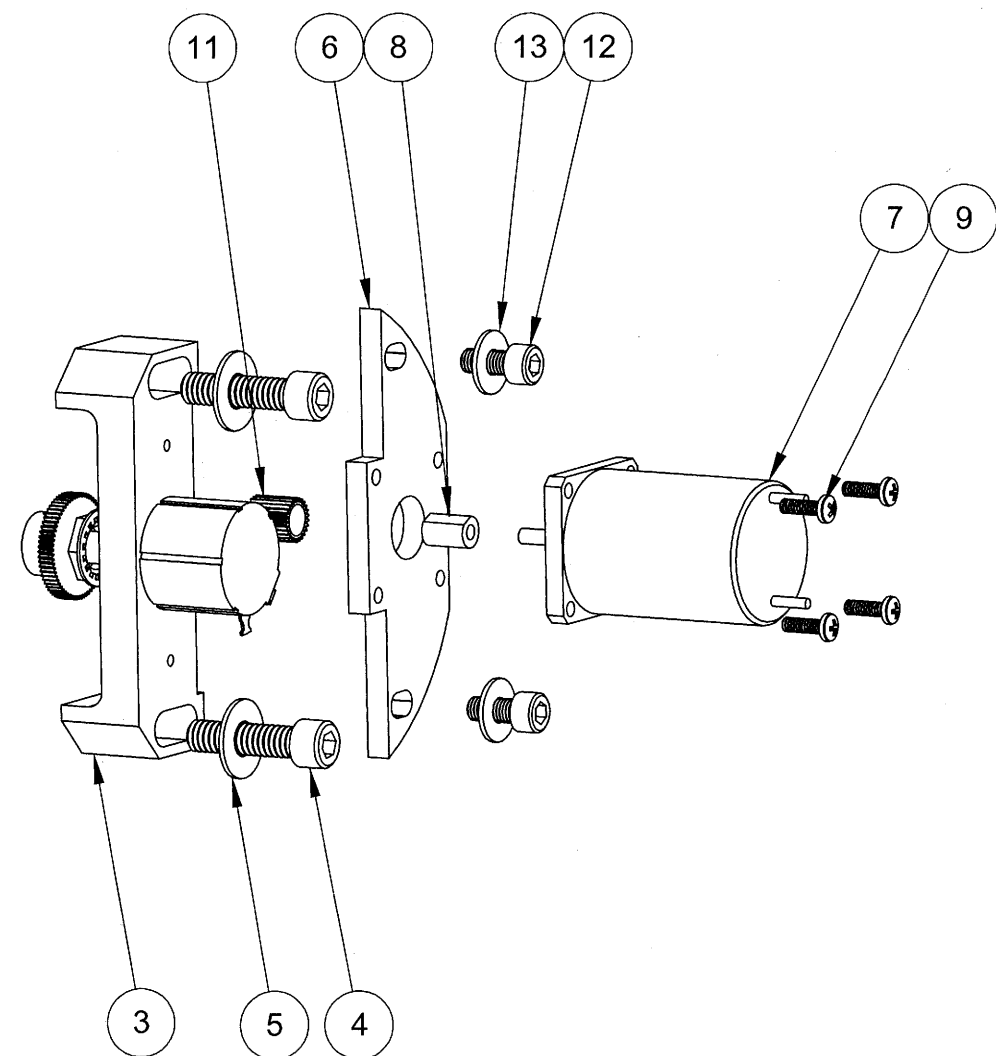
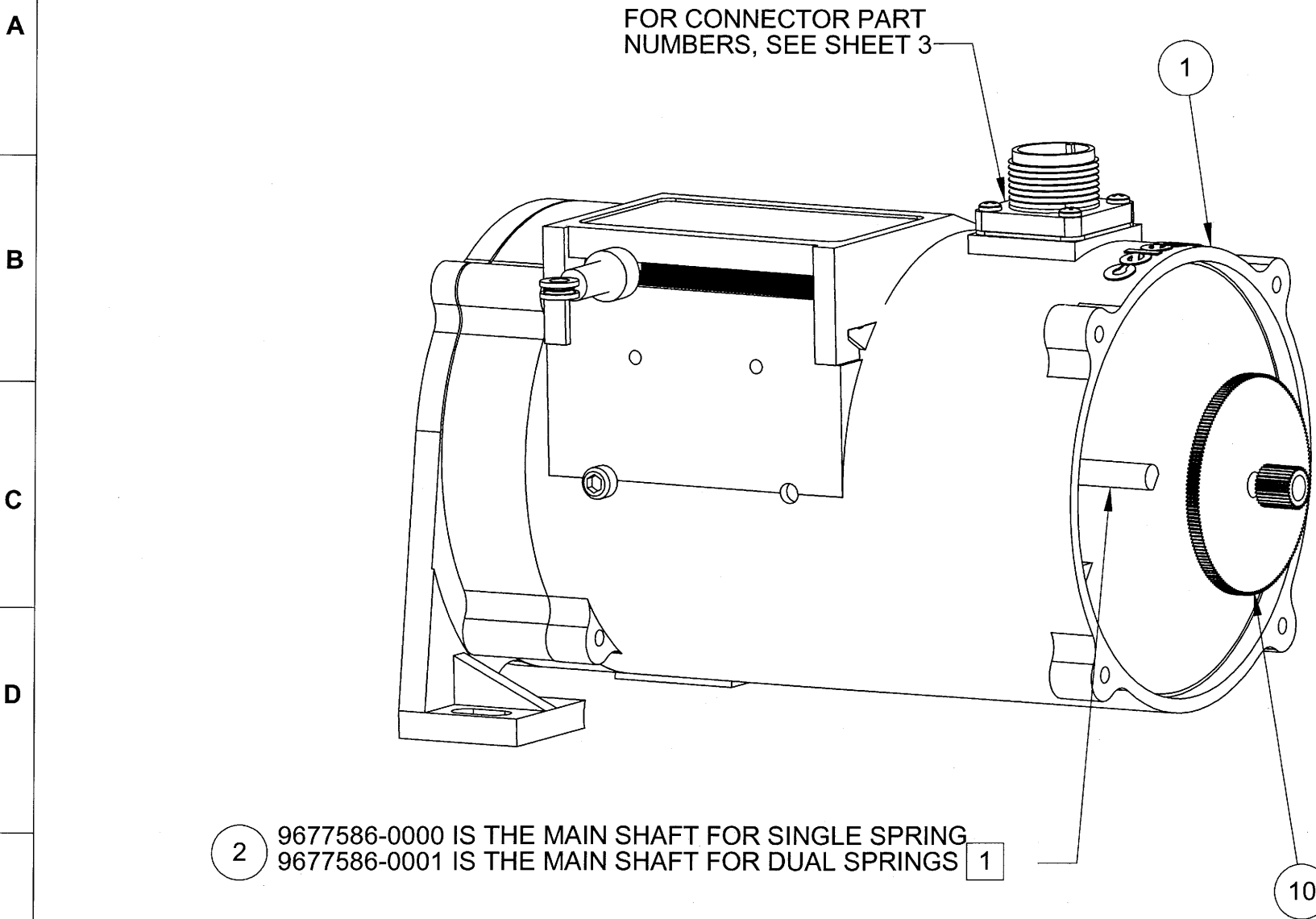


REVISIONS			
REV.	DESCRIPTION	DATE	APPROVED
A	SEE DCN: 6578	10.7.2008	WJR



ORIGINAL

13	9003101-9001	WASHER,PLAIN CRES 0.190 ID	2
12	9650444-0052	CSCR,CRES,0.190-32X.44 SKTHD	2
11	9000440-0002	GEAR,80 PITCH,26 TEETH, ϕ .25	1
10	9000440-0046	GEAR,80 PITCH,170TEETH, ϕ .25	1
9	9650444-0119	MSCR CRES 0.112-40X.38 XRSPNHD	4
8	9673658-0000	BUSHING,TACH,NYLN,0.12	1
7	9000930-0001	GENERATOR,DC 7V/1000 RPM	1
6	9678103-0000	BRACKET,TACHOMETER,PT9301	1
5	9003101-B000	WASHER,PLAIN CRES 0.25I.D.	2
4	9650444-0115	CSCR CRES 1/4-20 X 1.00 SKTHD	2
3	9679551-0000	PLATE,SENSOR,MACHINED,PT9301	1
2	SEE NOTE 1	SHAFT, MAIN, PT9301	1
1	9603707-0001	BODY,PT9301 ALUM	1
ITEM NO.	PART NUMBER	DESCRIPTION	QTY.

INFORMATION AND DATA SET FORTH HEREIN ARE DISCLOSED IN CONFIDENCE AND ARE PROPRIETARY TO AND THE PROPERTY OF CELESCO TRANSDUCER PRODUCTS INC. AND SHALL NOT BE USED, DUPLICATED, DISCLOSED OR TRANSFERRED, IN WHOLE OR IN PART, FOR ANY PURPOSE, WITHOUT THE EXPRESS PRIOR WRITTEN CONSENT OF CELESCO TRANSDUCER PRODUCTS INC.

THIRD ANGLE PROJECTION

celesco 20630 Plummer St
Chatsworth, CA. 91311
Tel:(818)701-2750 Fax:(818)701-2799
www.celesco.com

Transducer Products Inc.

TITLE
PT9301 ASSEMBLY DRAWING
1 & 2 SPRING, ALUM AND CRES

APPROVALS		DATE	
DRAWN	E.GARCIA	10.7.2008	
CHKD	<i>[Signature]</i>	SIZE	CODE IDENT. NO
DO NOT SCALE DRAWING		B	52158
		DWG. NO.	REV
		PS-149	A
		SCALE: 2:3	
		SHEET 1 OF 4	

1

2

3

4

5

6

7

8

9

10

A

B

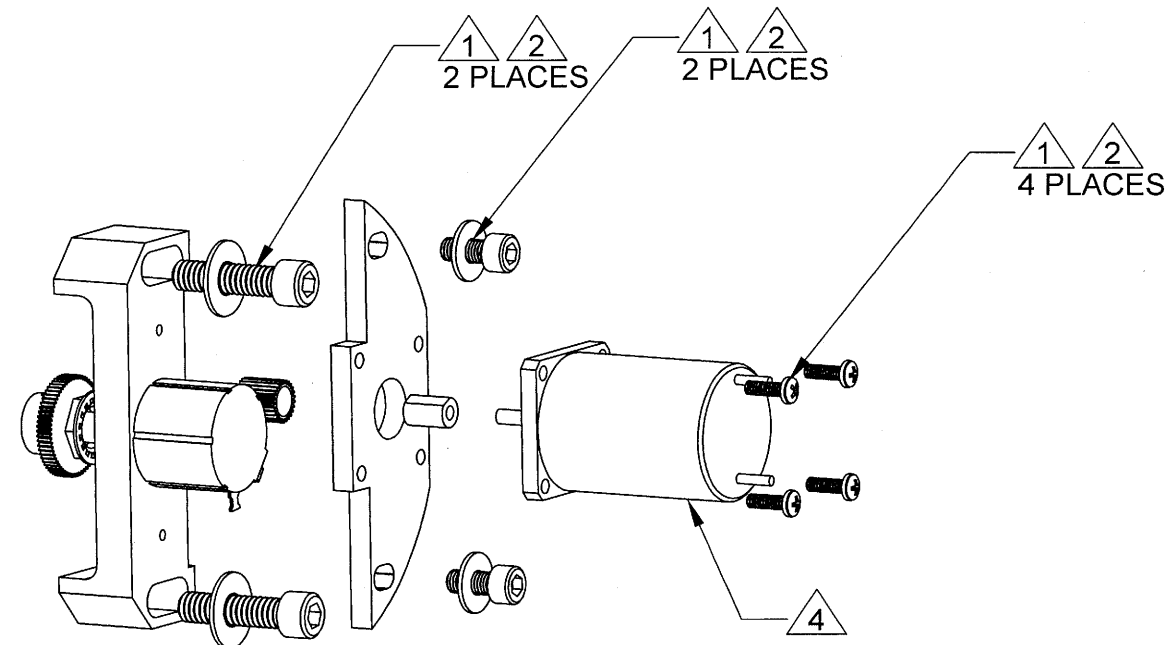
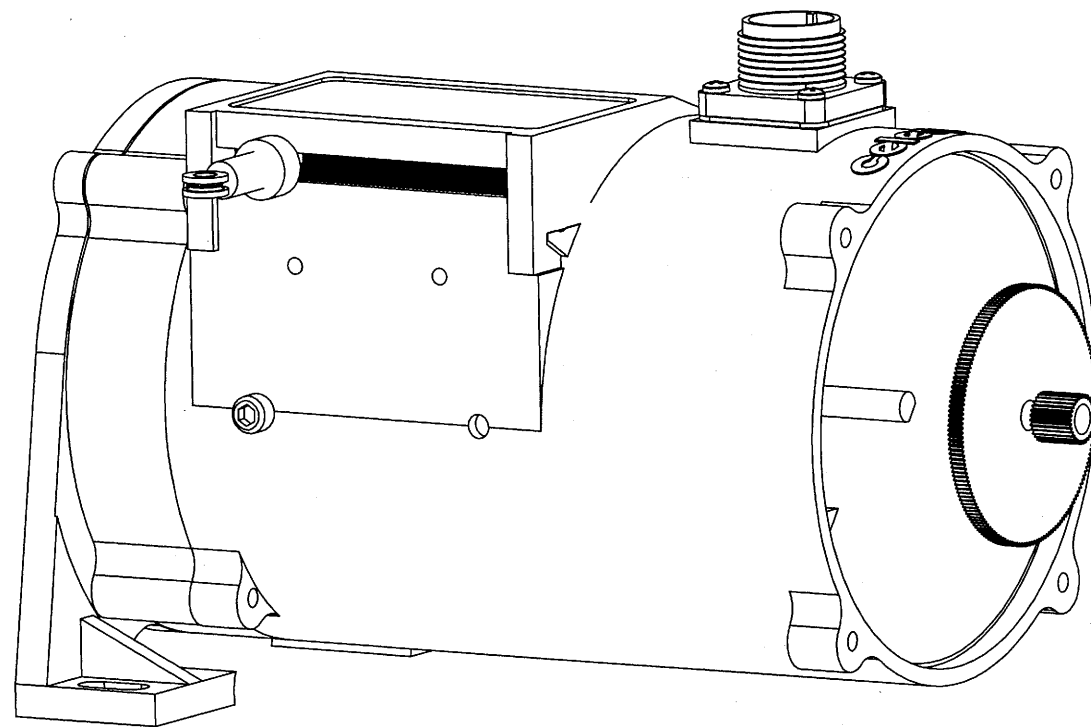
C

D

E

F

G



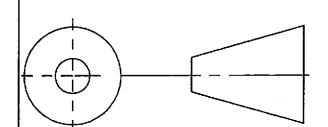
ORIGINAL

NOTES: UNLESS OTHERWISE SPECIFIED

- 1 APPLY LOCTITE PRIMER 7649, ALLOW TO DRY.
- 2 APPLY 2 DROPS OF LOCTITE 222.
- 3 REFER TO APPROPRIATE PS DRAWING FOR DETAILS NOT SHOWN ON THIS DRAWING.
- 4 BEFORE MOUNTING TACHOMETER, OUTPUT NEEDS TO BE DETERMINED. ATTACH TACHOMETER TO TACH TESTER CI1656. RUN THE TESTER IN CW AND CCW DIRECTION WHILE RECORDING THE OUTPUT IN EACH DIRECTION. WRITE THE OUTPUTS ON A PIECE OF TAPE AND ATTACH TO THE TACHOMETER. (THESE OUTPUTS WILL BE ENTERED ON THE ACCEPTANCE TEST DATA SHEET)

INFORMATION AND DATA SET FORTH HEREIN ARE DISCLOSED IN CONFIDENCE AND ARE PROPRIETARY TO AND THE PROPERTY OF CELESCO TRANSDUCER PRODUCTS INC. AND SHALL NOT BE USED, DUPLICATED, DISCLOSED OR TRANSFERRED, IN WHOLE OR IN PART, FOR ANY PURPOSE, WITHOUT THE EXPRESS PRIOR WRITTEN CONSENT OF CELESCO TRANSDUCER PRODUCTS INC.

THIRD ANGLE PROJECTION



celesco
 20630 Plummer St
 Chatsworth, CA. 91311
 Tel:(818)701-2750 Fax:(818)701-2799
 www.celesco.com

TITLE
**PT9301 ASSEMBLY DRAWING
 1 & 2 SPRING, ALUM AND CRES**

APPROVALS		DATE		SIZE	CODE IDENT. NO.	DWG. NO.	REV
DRAWN E.GARCIA		10.7.2008		B	52158	PS-149	A
CHKD <i>[Signature]</i>				DO NOT SCALE DRAWING		SCALE: 2:3	SHEET 2 OF 4

WIRING

A	POTENTIOMETER					TACHOMETER	
	CCW (1)	CW (3)	S (2)	+OUTPUT	-OUTPUT		
	PIN A	PIN B	PIN C	PIN E	PIN F		
	INSTRUMENTATION CABLE	RED	BLACK	GREEN	WHITE	BROWN	

B

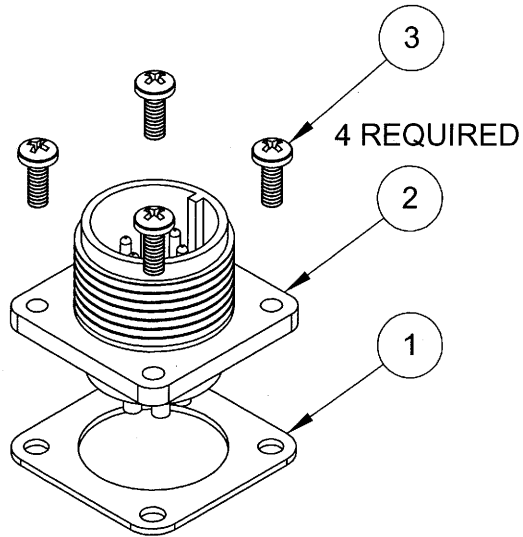
C

D

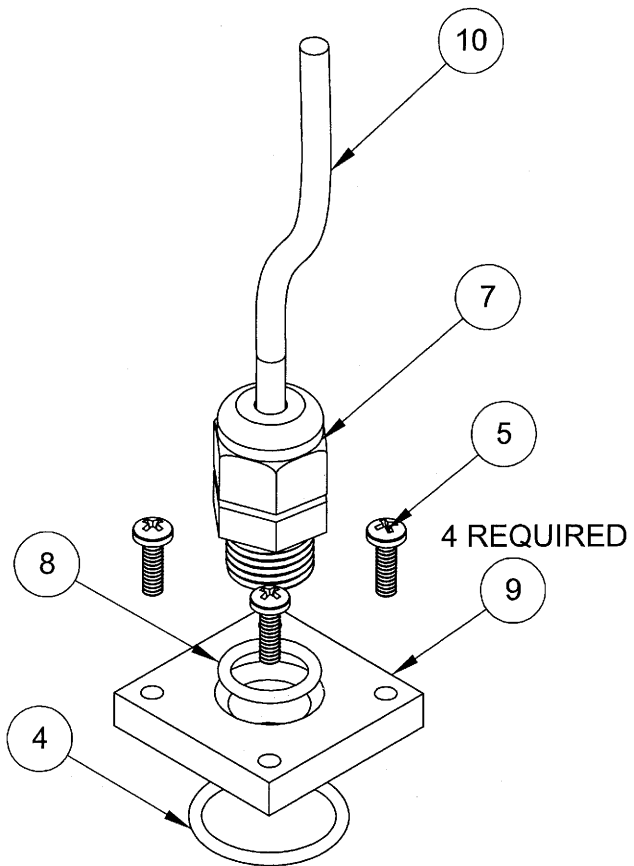
E

F

G

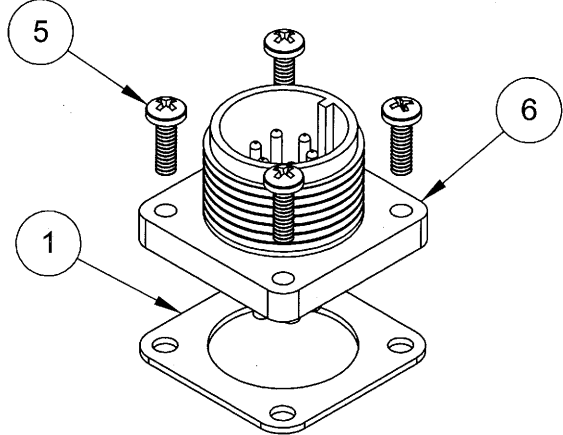


6-PIN METAL CONNECTOR



INSTRUMENTATION CABLE

4 REQUIRED



6-PIN NYLON CONNECTOR

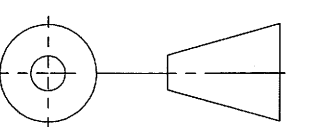
ORIGINAL

10	9000141-0026	CABLE,24 AWG,6 COND PER 650464
9	9676670-0001	ADAPTER,CABLE,ALUMINUM
8	9000312-0131	SEAL,O'RING,NITRILE,0.426 ID
7	9032000-0015	STRAIN RELIEF,LIQ-TIGHT,GRAY
6	9035830-0001	CONN,NYLON,BOX-MTG,14SHELL,6PIN
5	9650444-0119	MSCR CRES 0.112-40X.38 XRS PNHD
4	9000312-0181	SEAL,O'RING,NITRILE,0.739 ID
3	9650444-0092	MSCR,CRES,.112-40X.31,PAN HEAD
2	9035810-0001	CONN,METAL,BOX-MTG,14SHELL,6PIN
1	9000320-0006	GASKET,FLANGED CONN,14 SHELL

ITEM NO.	PART NO.	DESCRIPTION
----------	----------	-------------

INFORMATION AND DATA SET FORTH HEREIN ARE DISCLOSED IN CONFIDENCE AND ARE PROPRIETARY TO AND THE PROPERTY OF CELESCO TRANSDUCER PRODUCTS INC. AND SHALL NOT BE USED, DUPLICATED, DISCLOSED OR TRANSFERRED, IN WHOLE OR IN PART, FOR ANY PURPOSE, WITHOUT THE EXPRESS PRIOR WRITTEN CONSENT OF CELESCO TRANSDUCER PRODUCTS INC.

THIRD ANGLE PROJECTION



celesco 20630 Plummer St
Chatsworth, CA. 91311
Tel:(818)701-2750 Fax:(818)701-2799
www.celesco.com
Transducer Products Inc.

TITLE
**PT9301 ASSEMBLY DRAWING
1 & 2 SPRING, ALUM AND CRES**

APPROVALS	DATE
DRAWN E.GARCIA	10.7.2008
CHKD <i>[Signature]</i>	<i>[Signature]</i>

SIZE	CODE IDENT. NO	DWG. NO.	REV
B	52158	PS-149	A
DO NOT SCALE DRAWING		SCALE: 1:1	SHEET 3 OF 4

