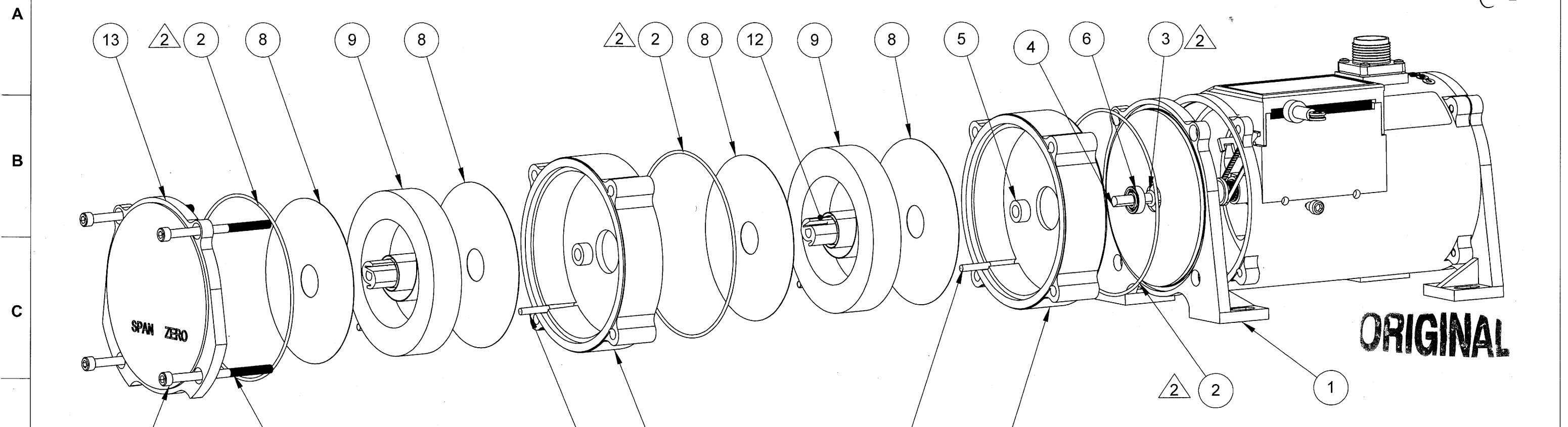


REVISIONS			
REV.	DESCRIPTION	DATE	APPROVED
A	SEE DCN: 6080	01/31/08	MSK



14	9679750-0000	CAP SCREW,MODIFIED	4
13	9678542-0000	BRACKET,END,CRES,PT9000	1
12	9677186-0000	ARBOR,SPRING,PT9000	2
11	9676921-0001	HOUSING,SPRING,CRES,PT9000	1
10	9015020-0002	PIN,TAPER,5/32 X 3/4,STEEL	2
9	9676498-0000	SPRING,POWER,2.0IN-LB,PT9000	2
8	9676694-0001	DISK,PHENOLIC,PT9000	4
7	9678541-0000	HOUSING,SPRING,CRES,PT9000	1
6	9000410-0015	BEARING,BALL,0.25 X 0.625,OPEN	1
5	9013112-6603	SPACER,NYLON,.25 ID X .25 THICK	3
4	9677347-0000	SHAFT,MAIN,PT9000	1
3	9000312-0102	SEAL,O'RING,NITRILE,0.239 ID	1
2	9000312-0463	SEAL,O'RING,NITRILE,4.171 ID	3
1	9676713-0001	BRACKET,MOUNTING,CRES,PT9000	1

ITEM NO. PART NUMBER DESCRIPTION QTY.
 INFORMATION AND DATA SET FORTH HEREIN ARE DISCLOSED IN CONFIDENCE AND ARE PROPRIETARY TO AND THE PROPERTY OF CELESCO TRANSDUCER PRODUCTS INC. AND SHALL NOT BE USED, DUPLICATED, DISCLOSED OR TRANSFERRED, IN WHOLE OR IN PART, FOR ANY PURPOSE, WITHOUT THE EXPRESS PRIOR WRITTEN CONSENT OF CELESCO TRANSDUCER PRODUCTS INC.

THIRD ANGLE PROJECTION

celesco 20630 Plummer St
 Chatsworth, CA. 91311
 Tel:(818)701-2750 Fax:(818)701-2799
 Transducer Products Inc. www.celesco.com

TITLE
ASSEMBLY DRAWING, CRES PT9000 DUAL SPRING, 75-550IN

APPROVALS		DATE	SIZE	CODE IDENT. NO	DWG. NO.	REV
DRAWN	M.KRATOFIL	02/16/07	B	52158	PS-131	A
CHKD	MSK For EG	11/13/08	DO NOT SCALE DRAWING		SCALE: 45:100	SHEET 1 OF 2

- 2** O-RINGS TO BE COMPLETELY COATED USING PARKER O-RING LUBRICANT, P/N 9000000-0002.
1. ASSEMBLE TRANSDUCER USING PS-132 FOR DETAILS NOT SHOWN ON THIS DRAWING.
- NOTES:** UNLESS OTHERWISE SPECIFIED



DRAWING CHANGE NOTICE

DRAWING NO. **PS-131** REV. **A****SHEET 2 OF 2**

DISPOSITION OF PARTS	USE AS IS	MUST CONFORM	PART NAME ASSEMBLY DRAWING, CRES			DCN NO. 6080		
IN FABRICATION		X	ENGINEERING APPROVAL			COPIES TO	YES	NO
IN STOCK		X		SIGNATURE	DATE	ENGINEERING	X	
BOXED PARTS		X	PREPARED BY	MSK	01/31/08	INSPECTION	X	
IN ASSEMBLIES		X	CHECKED BY	<i>MSK FOR E.G.</i>	<i>11/13/08</i>	PLANNING	X	
IN BOND		X	APPROVED	<i>MSK</i>	<i>11/13/08</i>	PRODUCTION	X	
CUSTOMER REWORK		X	GEN MGR	X	X	PURCHASING	X	
			DCR NO. (IF APPLICABLE)	0000		QMR	X	
						SALES	X	

CHANGE NO	REVISED OR CHANGED FROM	ZONE	ADDED OR CHANGED TO
1	NEW DRAWING		
2	9650444-0005, 2.88 LONG		9679750-0000, 2.74 LONG

NOTES: **BECAUSE OF TOLERANCE STACK-UP, SOME ASSEMBLIES COULD NOT ATTACH THE CABLE COVER DUE TO THE SCREW BEING TOO LONG. MRB 4270**

REMARKS: