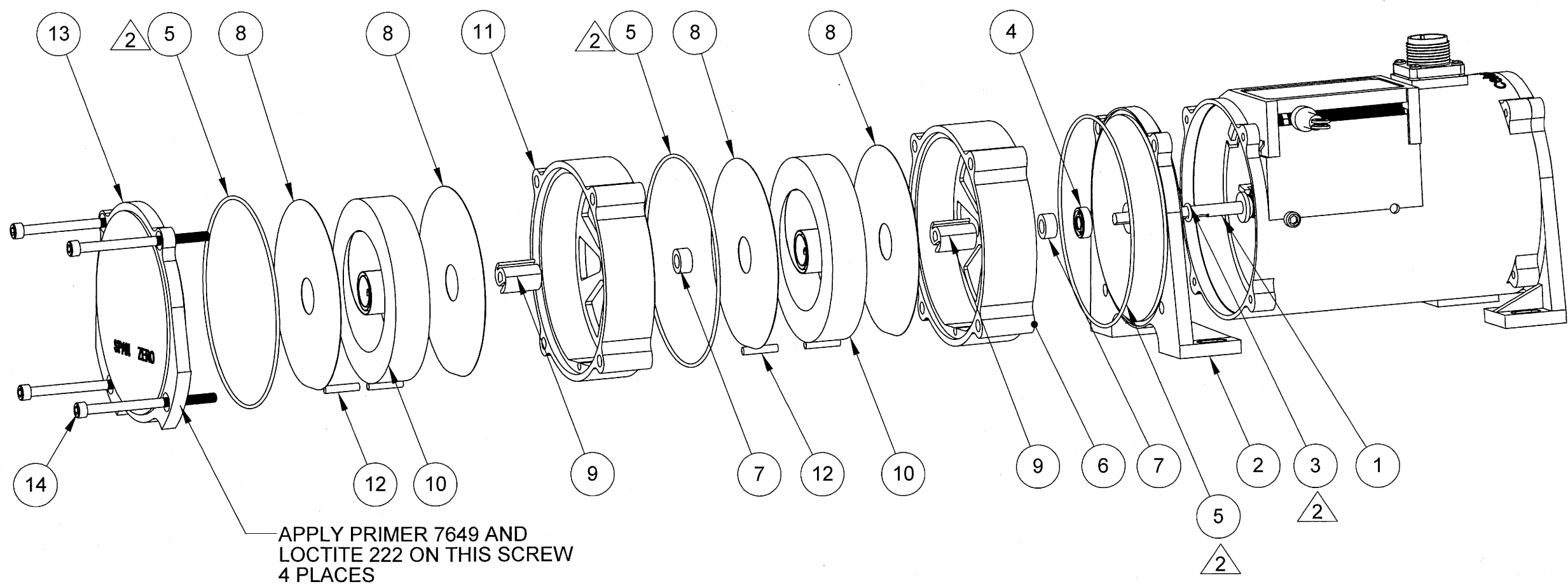


REVISIONS			
REV.	DESCRIPTION	DATE	APPROVED
B	SEE DCN: 6665	11.13.2008	MSK



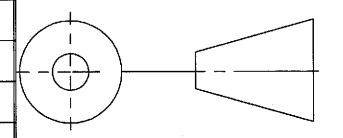
**ORIGINAL**

14	Socket Head Cap Screw_A1	CAP SCREW,MODIFIED	4
13	9678410-0000	BRACKET,END,ALUM,PT9000,2 SPRING	1
12	9015020-0002	PIN,TAPER,5/32 X 3/4,STEEL	2
11	9679466-0000	HOUSING,SPRING,ALUM,PT9000,2SPRING	1
10	9676498-0000	SPRING,POWER,2.0IN-LB,PT9000	2
9	9677186-0000	ARBOR,SPRING,PT9000	2
8	9678363-0000	DISK,PHENOLIC,PT9000	4
7	9013112-6603	SPACER,NYLON,.25 ID X .25 THICK	2
6	9679466-0000	HOUSING,SPRING,ALUM,PT9000,2SPRING	1
5	9000312-0461	SEAL,O'RING,NITRILE,4.239 ID	3
4	9000410-0015	BEARING,BALL,0.25 X 0.625,OPEN	1
3	9000312-0102	SEAL,O'RING,NITRILE,0.239 ID	1
2	9678175-0000	BRACKET,MID,ALUM,PT9000	1
1	9677347-0000	SHAFT,MAIN,PT9000	1
ITEM NO.	PART NUMBER	DESCRIPTION	QTY.

1. ASSEMBLE USING PS-119 FOR DETAILS NOT SHOWN ON THIS DRAWING.
- △ O-RINGS TO BE COMPLETELY COATED USING PARKER O-RING LUBRICANT P/N 9000000-0002.
- NOTES: UNLESS OTHERWISE SPECIFIED**

INFORMATION AND DATA SET FORTH HEREIN ARE DISCLOSED IN CONFIDENCE AND ARE PROPRIETARY TO AND THE PROPERTY OF CELESCO TRANSDUCER PRODUCTS INC. AND SHALL NOT BE USED, DUPLICATED, DISCLOSED OR TRANSFERRED, IN WHOLE OR IN PART, FOR ANY PURPOSE, WITHOUT THE EXPRESS PRIOR WRITTEN CONSENT OF CELESCO TRANSDUCER PRODUCTS INC.

THIRD ANGLE PROJECTION



**celesco** 20630 Plummer St  
Chatsworth, CA. 91311  
Tel:(818)701-2750 Fax:(818)701-2799  
www.celesco.com

TITLE  
**ASSEMBLY DRAWING, ALUM PT9000,DUAL SPRING,75-550IN**

APPROVALS		DATE
DRAWN	M.KRATOFIL	01/05/07
CHKD	MSK FOR E.G.	11/14/08

SIZE	CODE IDENT. NO	DWG. NO.	REV
<b>B</b>	<b>52158</b>	<b>PS-127</b>	<b>B</b>

DO NOT SCALE DRAWING      SCALE: 1:4      SHEET 1 OF 2

