

Pen Tip Assembly

- Omni-directional Horizontal Beam Directivity
- Broad Bandwidth
- Low Resonance Q
- Excellent Impact Resistance
- Lightweight
- Low Cost



Pen Tip Assembly is well matched to Shielded Receiver Assembly.

Piezoelectric Film (PVDF): The cylindrical transducer gives a full 360° horizontal directivity and broad bandwidth in a very compact format.

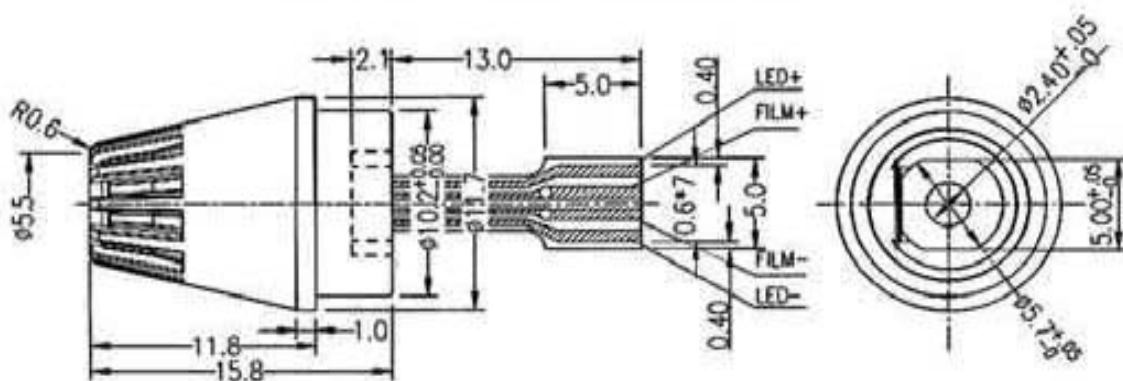
FEATURES

- Ultrasonic Transducer
- Wide Angle GaAs IrLEDs
- Flexible Printed Circuit
- Strip & Plastic Tip Guard Assembly

APPLICATION

- Digitizer Pen

mechanical dimensions



Transmitter Specifications

Parameter	Typical Value, at TA = 25°C	Units	Notes
Operating Frequency	80 – 90	kHz	
Resonance Q	6 – 9	(none)	-3dB frequencies
Sound Pressure Output	8	mPa/V	@ 30 cm, 16-cycle sine burst re 20 µPa, @ 30 cm, @
Sound Pressure Level	101	dB	400 Vp-p 16-cycle sine burst @ 800 Vp-p decaying
Signal Output	4	mV	@ 800 Vp-p decaying sine drive, using
Horizontal Beam Directivity	360	+26dB, 2 nd positive peak	SR80KHZ-01, @ 30 cm, gain
Vertical Beam Directivity	>90	Degrees	
Capacitance (at resonance)	166	Degrees	to -6dB level
		pF	

Absolute Maximum Ratings at TA = 25°C:

Drive Voltage (burst mode)	800	Vp-p
Drive Voltage (continuous)	200	Vp-p
Storage Temperature	-20 to +80	°C
Operating Temperature	+5 to +60	°C

The information in this sheet has been carefully reviewed and is believed to be accurate; however, no responsibility is assumed for inaccuracies. Furthermore, this information does not convey to the purchaser of such devices any license under the patent rights to the manufacturer. Measurement Specialties, Inc. reserves the right to make changes without further notice to any product herein. Measurement Specialties, Inc. makes no warranty, representation or guarantee regarding the suitability of its product for any particular purpose, nor does Measurement Specialties, Inc. assume any liability arising out of the application or use of any product or circuit and specifically disclaims any and all liability, including without limitation consequential or incidental damages. Typical parameters can and do vary in different applications. All operating parameters must be validated for each customer application by customer's technical experts. Measurement Specialties, Inc. does not convey any license under its patent rights nor the rights of others.

ordering information

Description	Model #	Part #
Pen Tip Assembly	PT80kHz-01	1007089-1
Shielded receiver Assembly	SR80kHz-01	1007090-1

North America

Measurement Specialties, Inc.
1000 Lucas Way
Hampton, VA 23666
Sales and Customer Service
Tel: +1-800-745-8008 or
+1-757-766-1500
Fax: +1-757-766-4297
Technical Support
Email: piezo@meas-spec.com

Europe

MEAS Deutschland GmbH
Hauert 13
44227 Dortmund
Germany
Sales and Customer Service
Tel: +49 (0)231 9740 21
Technical Support
Tel: +49 (0)6074 862822
Email: piezoeurope@meas-spec.com

Asia

Measurement Specialties (China), Ltd.
No. 26 Langshan Road
Shenzhen High-Tech Park (North)
Nanshan District
Shenzhen, China 518107
Sales and Customer Service
Tel: +86 755 3330 5088
Technical Support
Email: piezo@meas-spec.com