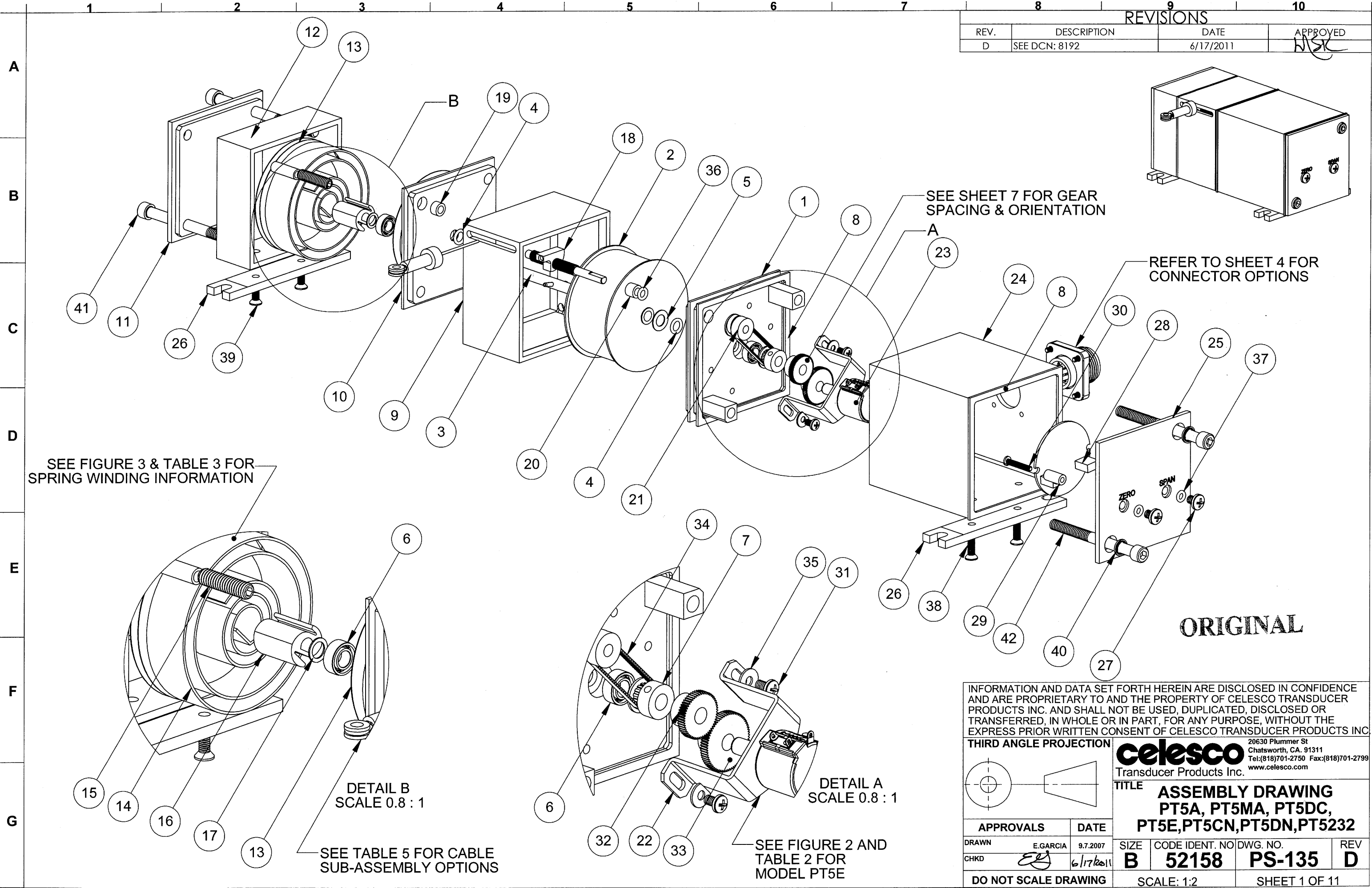


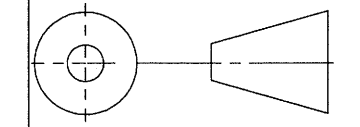
REVISIONS

REV.	DESCRIPTION	DATE	APPROVED
D	SEE DCN: 8192	6/17/2011	<i>HSK</i>



INFORMATION AND DATA SET FORTH HEREIN ARE DISCLOSED IN CONFIDENCE AND ARE PROPRIETARY TO AND THE PROPERTY OF CELESCO TRANSDUCER PRODUCTS INC. AND SHALL NOT BE USED, DUPLICATED, DISCLOSED OR TRANSFERRED, IN WHOLE OR IN PART, FOR ANY PURPOSE, WITHOUT THE EXPRESS PRIOR WRITTEN CONSENT OF CELESCO TRANSDUCER PRODUCTS INC.

THIRD ANGLE PROJECTION



20630 Plummer St
Chatsworth, CA. 91311
Tel: (818) 701-2750 Fax: (818) 701-2799
www.celesco.com

celesco
Transducer Products Inc.

TITLE
**ASSEMBLY DRAWING
PT5A, PT5MA, PT5DC,
PT5E, PT5CN, PT5DN, PT5232**

APPROVALS DATE

DRAWN E.GARCIA 9.7.2007
CHKD *EJ* 6/17/2011

SIZE CODE IDENT. NO DWG. NO. REV
B 52158 PS-135 D

DO NOT SCALE DRAWING

SCALE: 1:2 SHEET 1 OF 11

A

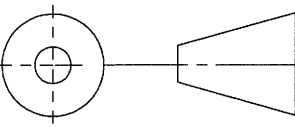
42	9650444-0258	CSCR CRES 1/4-20 X 2.75 SKT HD	2	
41	9650444-0261	CSCR CRES .250-20X3.25 SKT HD	2	
40	9650615-0000	WASHER,COMPOSITE,METAL-RUBBER	2	
39	9006221-8307	MSCR CRES 0.164-32X0.38 XRSFLH	2	
38	9006221-8309	MSCR,CRES 0.164-32X0.50 XRSFLH	2	
B	37	9000312-0071	SEAL,O'RING,NITRILE,0.145 ID	2
	36	9000312-0081	SEAL,O'RING,NITRILE,0.176 ID	1
	35	9650604-0000	WASHER,D-SHAPE,#6,18-8 ST STL	2
	34	9000421-0053	BELT,TIMING,53 GROOVE X 0.12WD	1
	33	SEE TABLE 5	GEAR,DELTRIN,80PITCH,POT SHAFT	1
	32	SEE TABLE 5	GEAR,DELTRIN,80PITCH,MAIN SHAFT	1
	31	9007121-6305	SCREW,CRES,.138-32 X .25 LONG,PAN HEAD	2
C	30	9650444-0121	MSCR CRES #4-40 X .75 XRSPNH	2
	29	9013112-1107	SPACER,ROUND,NYLON,0.12 ID X 0.50	2
	28	SEE TABLE 5	PT5 ELECTRONICS	AR
	27	9007121-9304	MSCR CRES 0.190-32X0.19 XRSPHN	2
	26	9677068-0002	MODIFIED,MOUNTING BRKT,PT5MA	2
	25	9677328-0000	PLATE,END,SENSOR SIDE,PT5MA	1
D	24	9677021-0000	COVER, SENSOR, ALUM, PT5101	1
	23	SEE TABLE I	POTENTIOMETER	1
	22	9677022-0000	BRACKET,POT,ALUM,PT5101	1
	21	9677082-0000	PULLEY,MOD 15T,CABLE GDE,PT5A	1
	20	9000400-0172	BUSHING,TEFLON,0.19 IDX 0.25 LG	1
	19	9000400-0086	BUSHING,TEFLON,0.19 IDX 0.19 LG	1
	18	SEE TABLE 5	ASSEMBLY,CABLE GUIDE	1
E	17	9000400-0057	WASHER,SHIM,PER DWG 650482	1
	16	9677186-0000	ARBOR,SPRING,PT9000	1
	15	9011064-GE10	SSCR CSTX 0.250-20X1.00 SKT HD	1
	14	SEE TABLE 5	SPRING,POWER	1
	13	9676694-0003	DISK,PHENOLIC,PT5000	3
	12	9677021-0001	HOUSING,SPRING,ALUM,PT5101	1
	11	9677020-0000	PLATE,END,ALUM,PT5101	1
F	10	9677018-0000	PLATE,SPRING, SIDE,ALUM,PT5101	1
	9	9677019-0001	HOUSING, SPOOL,ALUM,PT5101	1
	8	9677458-0000	GASKET,RUBBER,PT5A	2
	7	9677099-0000	PULLEY,MOD,15T,MAIN SHAFT,PT5A	1
	6	9000410-0002	BEARING,RADIAL SHEILDED,CRES,1/4 X 1/2	2
	5	900330A-6005	WASHER,NYLON,1/4IDX1/2ODX0.02TK	1
	4	9000312-0102	SEAL,O'RING,NITRILE,0.239 ID	2
	3	9603983-0000	SUBASSY,MAIN SHAFT/SPRING PIN	1
G	2	9678345-0000	SPOOL,MOLDED,PT5-SERIES	1
	1	9679885-0000	PLATE,SENSOR SIDE, ALUM, PT5	1
ITEM NO.	PART NUMBER	DESCRIPTION	QTY.	

TABLE I				
PT5A, PT5MA, PT5DC, PT5DN & PT5232		PT5A OPTIONAL POT RESISTANCE		
POT RANGE	500 Ω POT	1K Ω POT	5K Ω POT	10K Ω POT
10"	500 Ω, 1 TURN POT 9083000-0052	1K Ω, 1 TURN 9083000-0053	5K Ω, 1 TURN 9080000-0001	10K Ω, 1 TURN 9080000-0003
15"				
20"				
25"				
30"				
40"	500 Ω, 5 TURN POT 9085000-0004	1K Ω, 5 TURN 9085000-0011	5K Ω, 5 TURN 9085000-0013	10K Ω,5 TURN 9085000-0001
50"				
60"				
80"				
100"				
125"	500 Ω, 10 TURN POT 9085000-0003	1K Ω, 10 TURN 9085000-0006	5K Ω, 10 TURN 9085000-0010	10K Ω, 10 TURN 9085000-0002
150"				
200"				
250"				

ORIGINAL

INFORMATION AND DATA SET FORTH HEREIN ARE DISCLOSED IN CONFIDENCE AND ARE PROPRIETARY TO AND THE PROPERTY OF CELESCO TRANSDUCER PRODUCTS INC. AND SHALL NOT BE USED, DUPLICATED, DISCLOSED OR TRANSFERRED, IN WHOLE OR IN PART, FOR ANY PURPOSE, WITHOUT THE EXPRESS PRIOR WRITTEN CONSENT OF CELESCO TRANSDUCER PRODUCTS INC.

THIRD ANGLE PROJECTION



celesco 20630 Plummer St
Chatsworth, CA. 91311
Tel:(818)701-2750 Fax:(818)701-2799
www.celesco.com

Transducer Products Inc.

**TITLE ASSEMBLY DRAWING
PT5A, PT5MA, PT5DC,
PT5E,PT5CN,PT5DN,PT5232**

APPROVALS		DATE	SIZE	CODE IDENT. NO	DWG. NO.	REV
DRAWN	E.GARCIA	9.7.2007	B	52158	PS-135	D
CHKD	<i>E.G.</i>	<i>9/7/07</i>	DO NOT SCALE DRAWING		SCALE: 1:1	SHEET 2 OF 11

A
B
C
D
E
F
G

FIGURE 2

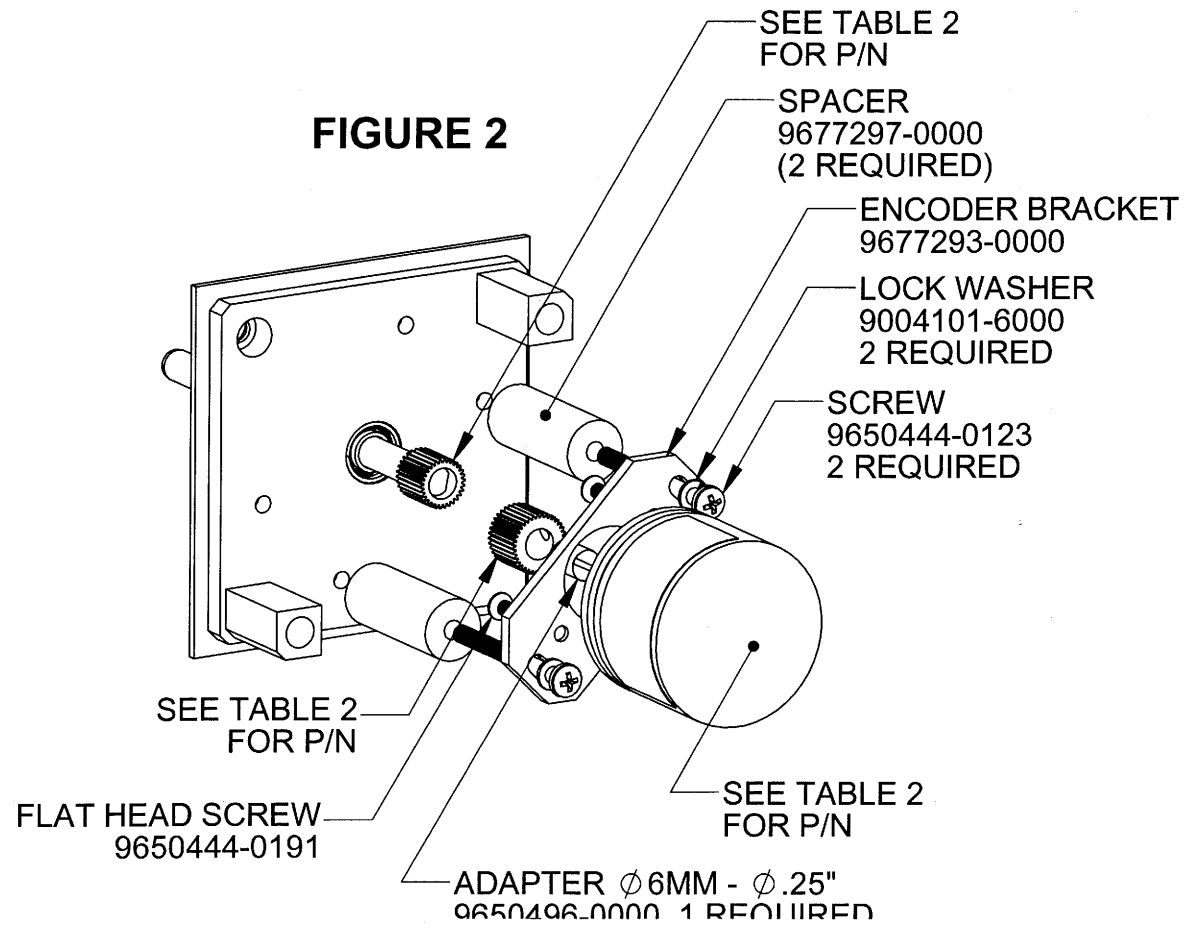


FIGURE 3

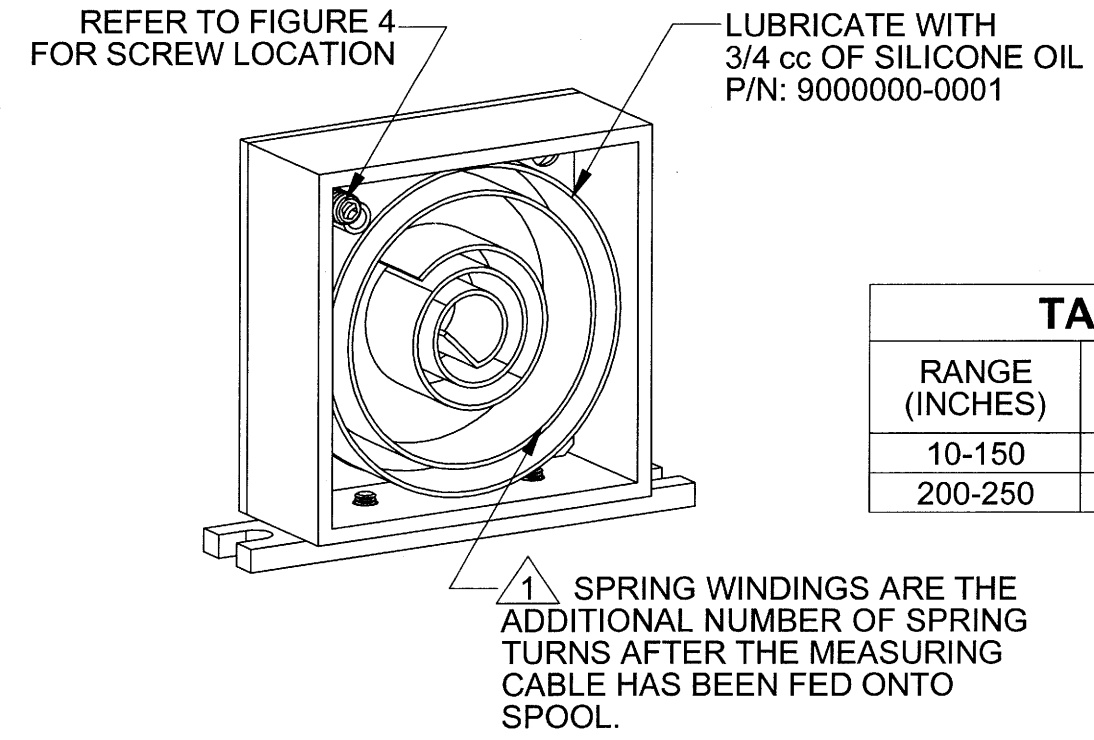
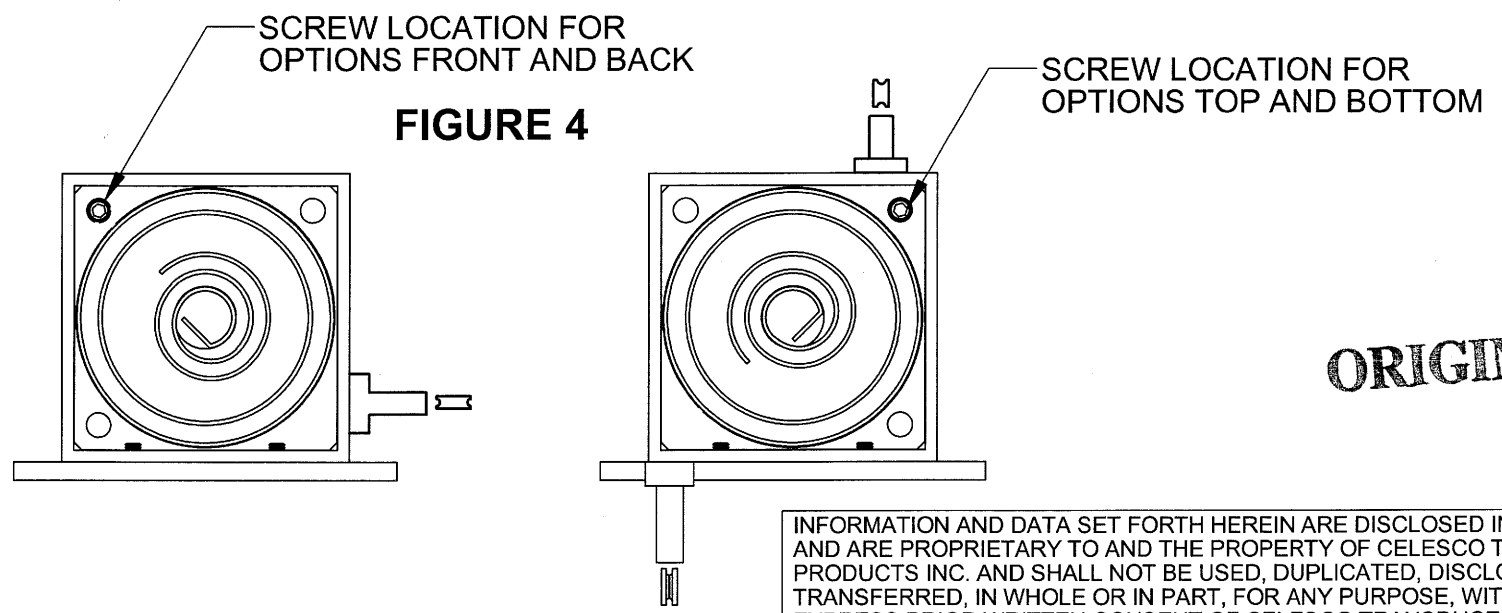


TABLE 3

RANGE (INCHES)	1 SPRING WINDINGS
10-150	6
200-250	8

FIGURE 4



ORIGINAL

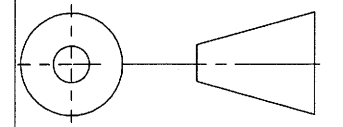
TABLE 2

ENCODER OPTIONS

PULSES PER INCH	4.5-13.2 VDC (AB-TTL)	10.8-26.4 VDC (AB-OC)	5 VDC (ABC-LD)	4.75-30 VDC (ABZC-UD)	MAIN SHAFT GEAR: 9000400-0034 30 TOOTH, 80 PITCH
	10	9650648-0100	9650650-0100	9650649-0100	
100	9650648-1000	9650650-1000	9650649-1000	9650649-1000	
200	9650648-2000	9650650-2000	9650649-2000	9650649-2000	
250	9650648-2500	9650650-2500	9650649-2500	9650649-2500	
PULSES PER mm	4.5-13.2 VDC (AB-TTL)	10.8-26.4 VDC (AB-OC)	5 VDC (ABC-LD)	4.75-30 VDC (ABZC-UD)	MAIN SHAFT GEAR: 9000400-0037 35 TOOTH, 80 PITCH
	0.5	9650648-0100	9650650-0100	9650649-0100	
5	9650648-1000	9650650-1000	9650649-1000	9650649-1000	
10	9650648-2000	9650650-2000	9650649-2000	9650649-2000	
12.5	9650648-2500	9650650-2500	9650649-2500	9650649-2500	

INFORMATION AND DATA SET FORTH HEREIN ARE DISCLOSED IN CONFIDENCE AND ARE PROPRIETARY TO AND THE PROPERTY OF CELESCO TRANSDUCER PRODUCTS INC. AND SHALL NOT BE USED, DUPLICATED, DISCLOSED OR TRANSFERRED, IN WHOLE OR IN PART, FOR ANY PURPOSE, WITHOUT THE EXPRESS PRIOR WRITTEN CONSENT OF CELESCO TRANSDUCER PRODUCTS INC.

THIRD ANGLE PROJECTION



celesco
Transducer Products Inc.
20630 Plummer St
Chatsworth, CA. 91311
Tel: (818) 701-2750 Fax: (818) 701-2799
www.celesco.com

TITLE
ASSEMBLY DRAWING
PT5A, PT5MA, PT5DC,
PT5E, PT5CN, PT5DN, PT5232

APPROVALS **DATE**

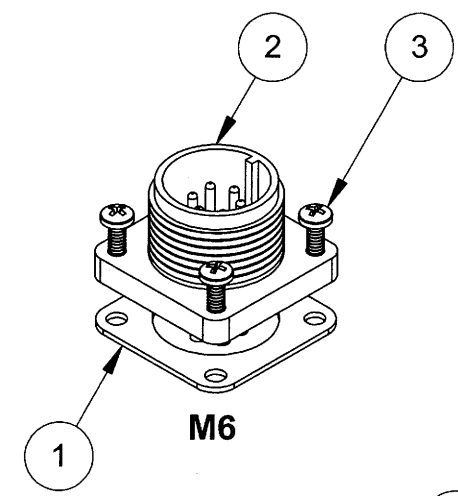
DRAWN E. GARCIA 9.7.2007
CHKD *ED* 6/17/2011

SIZE **CODE IDENT. NO** **DWG. NO.** **REV**
B **52158** **PS-135** **D**

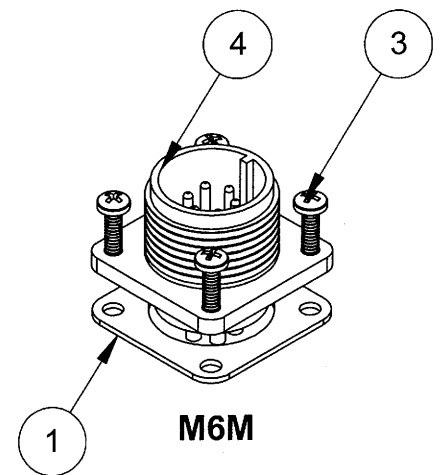
DO NOT SCALE DRAWING

SCALE: 1:2 **SHEET 3 OF 11**

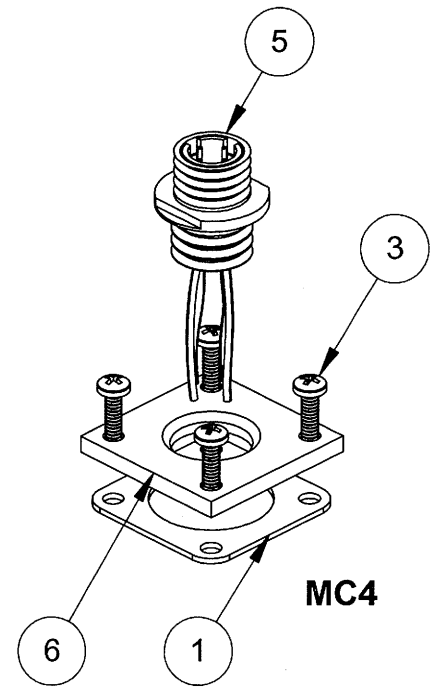
A
B
C
D
E
F
G



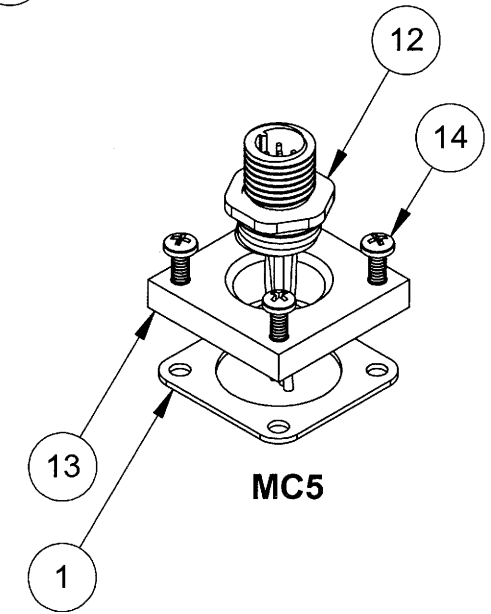
M6



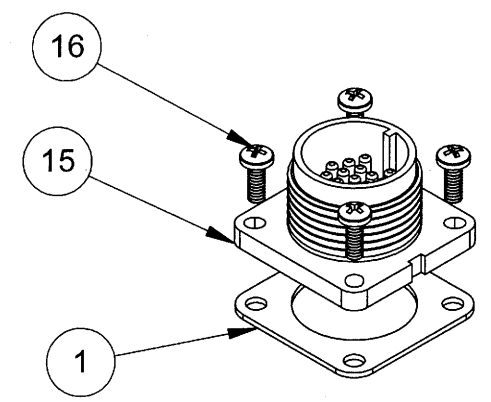
M6M



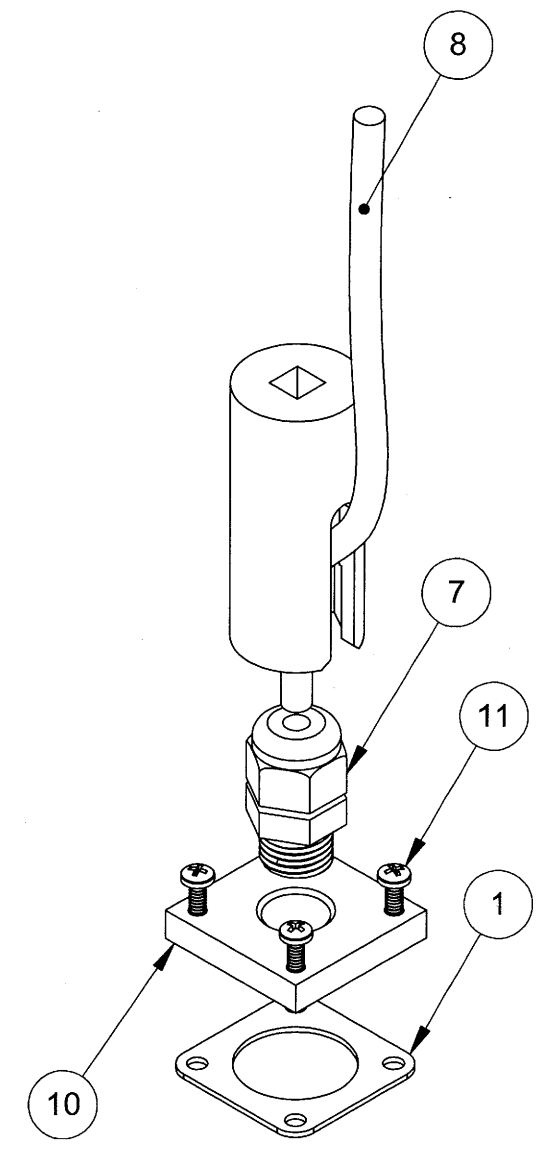
MC4



MC5



M18



C25

16	9650444-0092	MSCR,CRES #4-40X.31 PNHD	4
15	9676967-0000	CONNECTOR, MOD, 18 PIN	1
14	9007121-4409	MSCR CRES #4-40X.50 XRSPNH	4
13	9678229-0000	ADAPTER, CABLE, ALUM	1
12	9604021-0000	SUB ASSEMBLY, HARNESS W/ 5 PIN CONN	1
11	9650444-0050	MSCR,CRES, #4-40 X .50 XRSPND	4
10	9670137-0001	ADAPTER,UNDERWATER CABLE, ALUM	1
9	9000312-0131	SEAL, O-RING,NITRILE, .426 ID	1
8	9000141-0026	CABLE,6COND,24GA,PER 650464	25 ft
7	9032000-0015	STRAIN RELIEF, LIQUID TIGHT, GRAY	1
6	9679002-0001	COVER,DN CONNECTOR, CRES	1
5	9035701-0012	CONN,RCPT,1/4NPT,4PIN,12" LEADS	1
4	9035810-0001	CONN,RCPT,BOX-MTG,14SHELL,6PIN,METAL	1
3	9650444-0119	MSCR CRES #4-40 X .375 XRSPNHD	4
2	9035830-0001	CONN,RCPT,BOX-MTG,14SHELL,6PIN,NYLON	1
1	9000320-0006	RUBBER GASKET, FLANGED CONN	1
ITEM NO.	PART NUMBER	DESCRIPTION	QTY

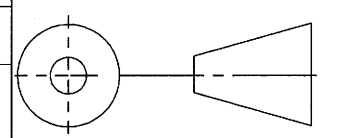
CONNECTOR OPTIONS BILL OF MATERIALS REFER TO TABLE 4 FOR MATING CONNECTORS

MATING CONNECTOR OPTIONS		
CODE	ITEM NO.	MATING CONNECTOR
M6	2	9036830-0001
M6M	4	9036810-0001
MC4	5	9036810-0025
M18	15	9036820-0003
BLANK (5 PIN MALE)	12	MC5 9036810-0032
		SC5 9036810-0030
		NC5 9036810-0031

ORIGINAL

INFORMATION AND DATA SET FORTH HEREIN ARE DISCLOSED IN CONFIDENCE AND ARE PROPRIETARY TO AND THE PROPERTY OF CELESCO TRANSDUCER PRODUCTS INC. AND SHALL NOT BE USED, DUPLICATED, DISCLOSED OR TRANSFERRED, IN WHOLE OR IN PART, FOR ANY PURPOSE, WITHOUT THE EXPRESS PRIOR WRITTEN CONSENT OF CELESCO TRANSDUCER PRODUCTS INC.

THIRD ANGLE PROJECTION



celesco
20630 Plummer St
Chatsworth, CA. 91311
Tel:(818)701-2750 Fax:(818)701-2799
www.celesco.com

TITLE **ASSEMBLY DRAWING
PT5A, PT5MA, PT5DC,
PT5E,PT5CN,PT5DN,PT5232**

APPROVALS DATE

DRAWN E.GARCIA 9.7.2007
CHKD *EJ* 6/17/2011

SIZE **B** CODE IDENT. NO **52158** DWG. NO. **PS-135** REV **D**

DO NOT SCALE DRAWING

SCALE: 1:2 SHEET 4 OF 11

TABLE 5

		PT5A ADJ 30mv/V	PT5MA 2-WIRE	PT5A	PT5MA 3-WIRE	PT5DC (0-5VDC) (0-10VDC)	PT5DC (-5 to +5VDC)	PT5DC (-10 to +10VDC)	PT5232	PT5DN	PT5CN	
A	ELECTRONICS	PC BOARD ASSEMBLY	9603980-0013	9604224-0001	N/A	9604238-0001	9604246-0001	9604219-0001	9604220-0001	9604014-0001	9603945-0001	9604012-0001
	CABLE GUIDE ASSEMBLIES	∅.034 CABLE ALL RANGES	9677025-0002									
		∅.047 - ∅.062 FOR RANGES 10" - 150"	9677025-0000									
B	SENSOR GEARS (REFER TO SHEET 7 FOR GEAR ENGAGEMENT)	10 INCH GEARS	POT GEAR: 9000440-0010 MAIN SHAFT GEAR: 9678770-0054									
		15 INCH GEARS	POT GEAR: 9000440-0010 MAIN SHAFT GEAR: 9000440-0006									
		20 INCH GEARS	POT GEAR: 9678770-0085 MAIN SHAFT GEAR: 9000440-0033									
		25 INCH GEARS	POT GEAR: 9678770-0090 MAIN SHAFT GEAR: 9000440-0002									
		30 INCH GEARS	POT GEAR: 9678770-0100 MAIN SHAFT GEAR: 9678949-0031									
		40 INCH GEARS	POT GEAR: 9678770-0070 MAIN SHAFT GEAR: 9000440-0021									
		50 INCH GEARS	POT GEAR: 9678770-0065 MAIN SHAFT GEAR: 9000440-0007									
		60 INCH GEARS	POT GEAR: 9678770-0070 MAIN SHAFT GEAR: 9000440-0039									
		80 INCH GEARS	POT GEAR: 9678770-0090 MAIN SHAFT GEAR: 9000440-0028									
		100 INCH GEARS	POT GEAR: 9678770-0085 MAIN SHAFT GEAR: 9000440-0033									
		125 INCH GEARS	POT GEAR: 9678770-0085 MAIN SHAFT GEAR: 9000440-0002									
		150 INCH GEARS	POT GEAR: 9678770-0085 MAIN SHAFT GEAR: 9000440-0028									
		200 INCH GEARS	POT GEAR: 9678770-0085 MAIN SHAFT GEAR: 9000440-0033									
250 INCH GEARS	POT GEAR: 9678770-0085 MAIN SHAFT GEAR: 9000440-0002											
E	CABLE KITS	CABLE ASSEMBLY FOR ∅.034 NYLON COATED CABLE	9603964-XXXX, (SEE NOTE 1)									
		CABLE ASSEMBLY FOR ∅.047 STAINLESS STEEL CABLE	9603857-XXXX (UP TO 150 IN, SEE NOTE 1)									
		CABLE ASSEMBLY FOR ∅.062 THERMOPLASTIC CABLE	9604044-XXXX (UP TO 150 IN, SEE NOTE 1)									
D	POWER SPRING	RANGES UP TO 150 INCHES	9677017-0000									
		RANGES 200 TO 250 INCHES	9678307-0000									

F

G

1. DASH NUMBER OF CABLE ASSEMBLY EQUALS THE RANGE OF THE TRANSDUCER IN INCHES.

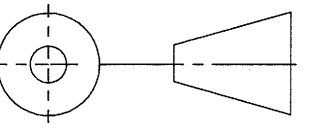
ORIGINAL

INFORMATION AND DATA SET FORTH HEREIN ARE DISCLOSED IN CONFIDENCE AND ARE PROPRIETARY TO AND THE PROPERTY OF CELESCO TRANSDUCER PRODUCTS INC. AND SHALL NOT BE USED, DUPLICATED, DISCLOSED OR TRANSFERRED, IN WHOLE OR IN PART, FOR ANY PURPOSE, WITHOUT THE EXPRESS PRIOR WRITTEN CONSENT OF CELESCO TRANSDUCER PRODUCTS INC.

20630 Plummer St
Chatsworth, CA. 91311
Tel:(818)701-2750 Fax:(818)701-2799
www.celesco.com

celesco
Transducer Products Inc.

THIRD ANGLE PROJECTION



TITLE
ASSEMBLY DRAWING
PT5A, PT5MA, PT5DC,
PT5E,PT5CN,PT5DN,PT5232

APPROVALS		DATE		SIZE	CODE IDENT. NO	DWG. NO.	REV
DRAWN	E.GARCIA	9.7.2007					
CHKD	<i>EJA</i>	<i>elitzal</i>		DO NOT SCALE DRAWING		SCALE: 1:2	SHEET 5 OF 11

PT5A			
POTENTIOMETER			
	CCW (1)	CW (3)	S (2)
6-PIN CONNECTOR	PIN A	PIN B	PIN C
4-PIN CONNECTOR	RED-WHT TR.	RED-BLK TR.	RED
INSTRUMENTATION CABLE	RED	BLACK	GREEN

PT5MA (2-WIRE 4-20mA)			
4-PIN HARNESS 604066			
	WHITE	BLACK	GREEN
6-PIN CONNECTOR	PIN A	PIN B	PIN D
4-PIN CONNECTOR	RED-BLK TR.	RED-WHT TR.	GREEN
INSTRUMENTATION CABLE	RED	BLACK	GREEN

PT5MA (3-WIRE 4-20mA)			
3-PIN HARNESS 604019			
	WHITE	GREEN	BLACK
POTENTIOMETER	CCW (1)	S (2)	CW (3)

PT5MA (3-WIRE 4-20mA)			
4-PIN HARNESS 604066			
	WHITE	BLACK	GREEN
6-PIN CONNECTOR	PIN A	PIN B	PIN C
4-PIN CONNECTOR	RED-BLK TR.	GREEN	RED-WHT TR.
INSTRUMENTATION CABLE	RED	BLACK	GREEN
3-PIN HARNESS 604019			
	WHITE	GREEN	BLACK
POTENTIOMETER	CCW (1)	S (2)	CW (3)

PT5AB (ADJUSTABLE BRIDGE CIRCUIT)				
CONNECTOR WIRING FROM 9603980-0013				
	RED	BLACK	WHITE	GREEN
6-PIN CONNECTOR	PIN A	PIN B	PIN C	PIN D
4-PIN CONNECTOR	RED-BLK TR.	RED-WHT TR.	RED	GREEN
INSTRUMENTATION CABLE	RED	BLACK	WHITE	GREEN
POTENTIOMETER WIRING FROM 9603980-0013				
	WHITE	BLACK	GREEN	
POTENTIOMETER	CW(3)	CCW(1)	S(2)	

PT5DC (0-5 VDC, 0-10 VDC)			
4-PIN HARNESS 604066			
	WHITE	GREEN	BLACK
6-PIN CONNECTOR	PIN A	PIN B	PIN C
4-PIN CONNECTOR	RED-BLK TR.	RED-WHT TR.	RED
INSTRUMENTATION CABLE	RED	GREEN	BLACK
WIRES SOLDERED TO PC BOARD			
	WHITE	GREEN	BLACK
POTENTIOMETER	CCW (1)	S (2)	CW (3)

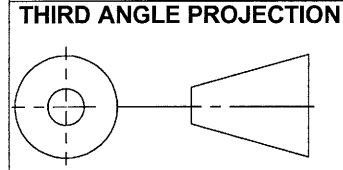
PT5DC (-5 TO +5 VDC AND -10 TO +10 VDC)			
4-PIN HARNESS 604066			
	WHITE	GREEN	BLACK
6-PIN CONNECTOR	PIN A	PIN B	PIN C
INSTRUMENTATION CABLE	RED	GREEN	BLACK
4-PIN CONNECTOR	RED -BLK TRACE	RED-WHT TRACE	RED
3-PIN HARNESS 604019			
	WHITE	GREEN	BLACK
POTENTIOMETER	CCW (1)	S (2)	CW (3)

PT5CN / PT5DN			
3-PIN HARNESS 604019			
	WHITE	GREEN	BLACK
POTENTIOMETER	CCW (1)	S (2)	CW (3)

PT5232					
		6-PIN HARNESS 604017		4-PIN HARNESS 604141	
	RED	BLACK	WHITE	BLACK	GREEN
6-PIN CONNECTOR	PIN A	PIN B	PIN D	PIN E	PIN F
INSTRUMENTATION CABLE	RED	BLACK	GREEN	BLUE	BROWN
3-PIN HARNESS 604019					
	WHITE	GREEN	BLACK		
POTENTIOMETER	CCW (1)	S (2)	CW (3)		

ORIGINAL

INFORMATION AND DATA SET FORTH HEREIN ARE DISCLOSED IN CONFIDENCE AND ARE PROPRIETARY TO AND THE PROPERTY OF CELESCO TRANSDUCER PRODUCTS INC. AND SHALL NOT BE USED, DUPLICATED, DISCLOSED OR TRANSFERRED, IN WHOLE OR IN PART, FOR ANY PURPOSE, WITHOUT THE EXPRESS PRIOR WRITTEN CONSENT OF CELESCO TRANSDUCER PRODUCTS INC.



celesco
20630 Plummer St
Chatsworth, CA. 91311
Tel:(818)701-2750 Fax:(818)701-2799
www.celesco.com
Transducer Products Inc.

APPROVALS		DATE
DRAWN	E.GARCIA	9.7.2007
CHKD	<i>[Signature]</i>	6/17/11

TITLE			
ASSEMBLY DRAWING			
PT5A, PT5MA, PT5DC,			
PT5E,PT5CN,PT5DN,PT5232			
SIZE	CODE IDENT. NO	DWG. NO.	REV
B	52158	PS-135	D
DO NOT SCALE DRAWING		SCALE: 1:1	SHEET 6 OF 11

PROPER AXIAL SPACING OF POTENTIOMETER GEARS:

- A**
1. THE POTENTIOMETER GEAR SHOULD BE INSTALLED AS SHOWN PER FIGURE 5 UNLESS OTHERWISE SPECIFIED.
 2. THE AXIAL ENGAGEMENT OF THE GEARS SHOULD BE A MINIMUM OF 90%, REFER TO FIGURE 6.

PROPER RADIAL SPACING OF POTENTIOMETER GEARS:

- B**
1. GEARS SHOULD NOT BE SPACED SUCH THAT A RADIAL LOAD IS PRESENT, NOR SHOULD TOO LARGE A GAP BE PRESENT SUCH THAT THE GEARS SLIP, REFER TO FIGURE 7.
 2. REDUCE EXCESSIVE PLAY BY ADJUSTING THE POTENTIOMETER BRACKET.

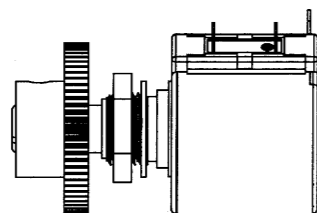


FIGURE 5

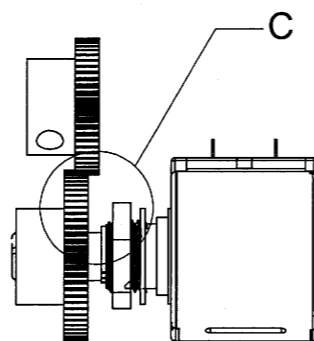


FIGURE 6

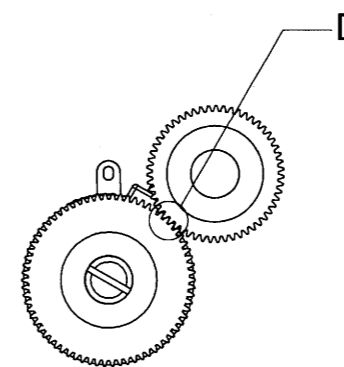
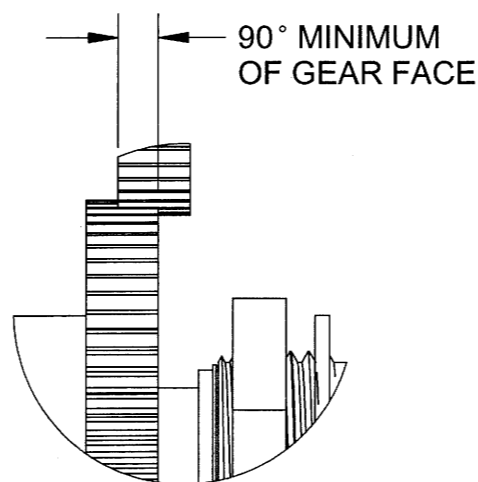
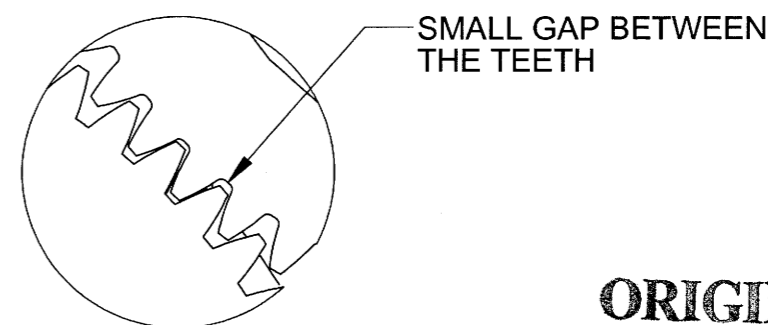


FIGURE 7



**DETAIL C
SCALE 3 : 1**

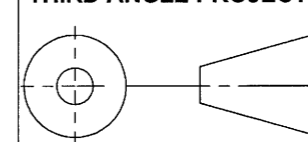


**DETAIL D
SCALE 8 : 1**

ORIGINAL

INFORMATION AND DATA SET FORTH HEREIN ARE DISCLOSED IN CONFIDENCE AND ARE PROPRIETARY TO AND THE PROPERTY OF CELESCO TRANSDUCER PRODUCTS INC. AND SHALL NOT BE USED, DUPLICATED, DISCLOSED OR TRANSFERRED, IN WHOLE OR IN PART, FOR ANY PURPOSE, WITHOUT THE EXPRESS PRIOR WRITTEN CONSENT OF CELESCO TRANSDUCER PRODUCTS INC.

THIRD ANGLE PROJECTION

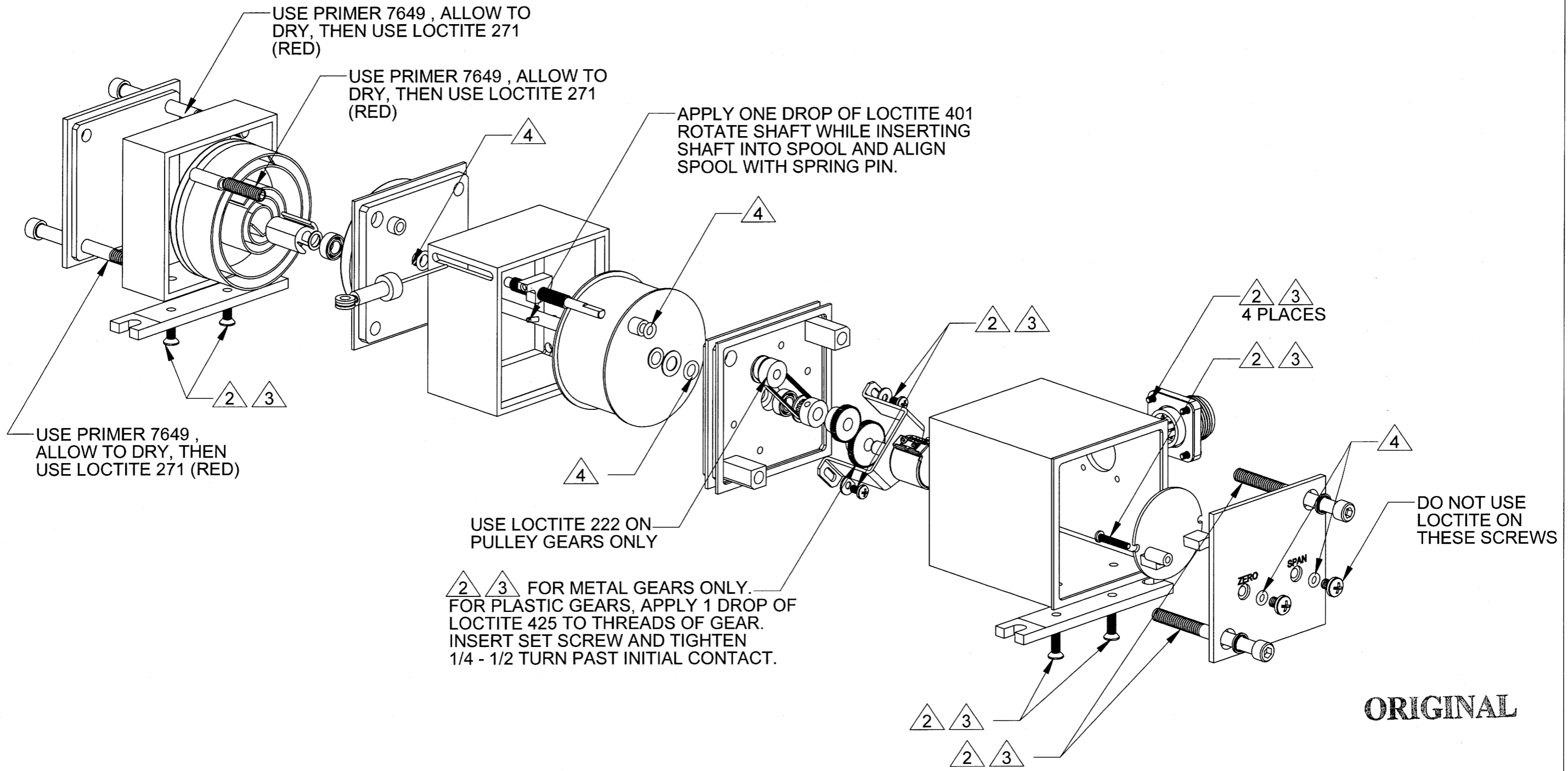


celesco
20630 Plummer St
Chatsworth, CA. 91311
Tel: (818) 701-2750 Fax: (818) 701-2799
www.celesco.com
Transducer Products Inc.

TITLE
ASSEMBLY DRAWING
PT5A, PT5MA, PT5DC,
PT5E, PT5CN, PT5DN, PT5232

APPROVALS		DATE		SIZE	CODE IDENT. NO	DWG. NO.	REV
DRAWN	E.GARCIA	9.7.2007					
CHKD	<i>EJ</i>	<i>olinton</i>		DO NOT SCALE DRAWING		SCALE: 1:2	SHEET 7 OF 11

A
B
C
D
E
F
G



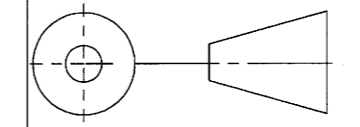
ORIGINAL

- 4 COAT O-RING WITH PARKER O-RING LUBRICANT PART NUMBER 9000000-0002.
- 3 USE LOCTITE 222.
- 2 USE LOCTITE PRIMER 7649, ALLOW TO DRY.

NOTES UNLESS OTHERWISE SPECIFIED:

INFORMATION AND DATA SET FORTH HEREIN ARE DISCLOSED IN CONFIDENCE AND ARE PROPRIETARY TO AND THE PROPERTY OF CELESCO TRANSDUCER PRODUCTS INC. AND SHALL NOT BE USED, DUPLICATED, DISCLOSED OR TRANSFERRED, IN WHOLE OR IN PART, FOR ANY PURPOSE, WITHOUT THE EXPRESS PRIOR WRITTEN CONSENT OF CELESCO TRANSDUCER PRODUCTS INC.

THIRD ANGLE PROJECTION



celesco
20630 Plummer St
Chatsworth, CA. 91311
Tel: (818)701-2750 Fax: (818)701-2799
www.celesco.com
Transducer Products Inc.

TITLE
**ASSEMBLY DRAWING
PT5A, PT5MA, PT5DC,
PT5E, PT5CN, PT5DN, PT5232**

APPROVALS		DATE		SIZE	CODE IDENT. NO	DWG. NO.	REV
DRAWN	E. GARCIA	9.7.2007					
CHKD	<i>[Signature]</i>			DO NOT SCALE DRAWING		SCALE: 1:1	SHEET 8 OF 11

A
B
C
D
E
F
G

**TABLE 6
ENCODER TO CONNECTOR
WIRING CHART**

		COMS/TTL AND OPEN COLLECTOR	5V LINE DRIVER AND UNIVERSAL LINE DRIVER		
		9650648-0100 9650648-1000 9650648-2000 9650648-2500 9650650-0100 9650650-1000 9650650-2000 9650650-2500	9650649-0100 9650649-1000 9650649-2000 9650649-2500		
4 PIN CONNECTOR	PIN A	RED	--	INPUT	ENCODER FUNCTION
	PIN B	BLACK	--	COMMON	
	PIN C	WHITE	--	CHANNEL B	
	PIN D	GREEN	--	CHANNEL A	
6 PIN CONNECTOR	PIN A	RED	RED	INPUT	ENCODER FUNCTION
	PIN B	BLACK	BLACK	COMMON	
	PIN C	WHITE	WHITE	CHANNEL B	
	PIN D	GREEN	GREEN	CHANNEL A	
	PIN F	--	BLUE	CHANNEL A'	
18 PIN CONNECTOR	PIN 1	--	RED	INPUT	ENCODER FUNCTION
	PIN 2	--	BLACK	COMMON	
	PIN 3	--	GREEN	CHANNEL A	
	PIN 6	--	WHITE	CHANNEL B	
	PIN 7	--	YELLOW	INDEX Z	
	PIN 11	--	BLUE	CHANNEL A'	
	PIN 12	--	GRAY	CHANNEL B'	
	PIN 15	--	ORANGE	INDEX Z'	
INSTRUMENTATION CABLE	RED	RED	RED	INPUT	ENCODER FUNCTION
	BLACK	BLACK	BLACK	COMMON	
	GREEN	WHITE	WHITE	CHANNEL B	
	WHITE	GREEN	GREEN	CHANNEL A	
	BLUE	--	GRAY	CHANNEL B'	
	BROWN	--	BLUE	CHANNEL A'	
	YELLOW	--	YELLOW	INDEX Z	
	ORANGE	--	ORANGE	INDEX Z'	

ORIGINAL

INFORMATION AND DATA SET FORTH HEREIN ARE DISCLOSED IN CONFIDENCE AND ARE PROPRIETARY TO AND THE PROPERTY OF CELESCO TRANSDUCER PRODUCTS INC. AND SHALL NOT BE USED, DUPLICATED, DISCLOSED OR TRANSFERRED, IN WHOLE OR IN PART, FOR ANY PURPOSE, WITHOUT THE EXPRESS PRIOR WRITTEN CONSENT OF CELESCO TRANSDUCER PRODUCTS INC.

THIRD ANGLE PROJECTION



celesco 20630 Plummer St
Chatsworth, CA. 91311
Tel:(818)701-2750 Fax:(818)701-2799
www.celesco.com
Transducer Products Inc.

TITLE
**ASSEMBLY DRAWING
PT5A, PT5MA, PT5DC,
PT5E,PT5CN,PT5DN,PT5232**

APPROVALS		DATE		SIZE	CODE IDENT. NO	DWG. NO.	REV
DRAWN	E.GARCIA	9.7.2007					
CHKD	<i>EJ</i>	<i>grtbn</i>		DO NOT SCALE DRAWING		SCALE: 1:2	SHEET 9 OF 11

TABLE 6
ACCEPTANCE TEST CRITERIA
PT5A SERIES

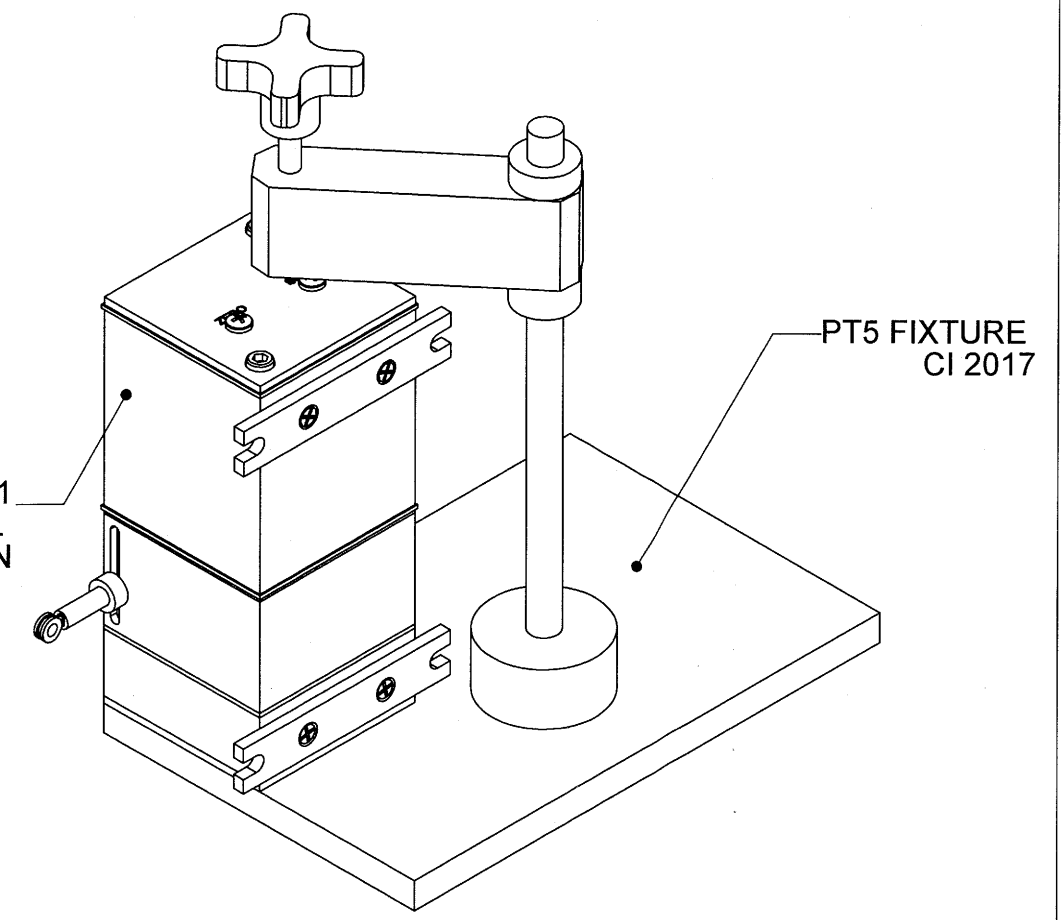
CABLE POSITION % F.S.	ACCEPTABLE OUTPUT	
	PT5A	PT5A-BRIDGE
0%	0.05 - 0.15 VDC	-42.00mV - -38mV
50%		-0.30mV - 0.30mV
100%	9.000 - 9.80 VDC	38mV - 42mV
0%	0.05 - 0.15 VDC	

TABLE 7
ACCEPTANCE TEST CRITERIA
PT5MA

CABLE POSITION %F.S.	ACCEPTABLE OUTPUT			
	PT5MA-420E	PT5MA-420R	PT5MA-020E	PT5MA-020R
0%	3.980 - 4.020 mA	19.980 - 20.020mA	0.000 - 0.050mA	19.975 - 20.020mA
100%	19.980 - 20.020mA	3.980 - 4.020 mA	19.975 - 20.020mA	0.000 - 0.050mA
0%	3.980 - 4.020mA	19.980 - 20.020mA	0.000 - 0.050mA	19.975 - 20.020mA

TABLE 8
ACCEPTANCE TEST CRITERIA
PT5DC

CABLE POSITION %F.S.	ACCEPTABLE OUTPUT							
	PT5DC-Z10	PT5DC-10Z	PT5DC-Z5	PT5DC-5Z	PT5DC-M0P0	PT5DC-P0M0	PT5DC-M5P5	PT5DC-P5M5
0%	-0.015 - 0.015VDC	9.985 - 10.015VDC	-0.015 - 0.015VDC	4.985 - 5.015VDC	-10.015 - -9.985VDC	9.985 - 10.015VDC	-5.015 - -4.985VDC	4.985 - 5.015VDC
100%	9.985 - 10.015VDC	-0.015 - 0.015VDC	4.985 - 5.015VDC	-0.015 - 0.015VDC	9.985 - 10.015VDC	-10.015 - -9.985VDC	4.985 - 5.015VDC	-5.015 - -4.985VDC
0%	-0.015 - 0.015VDC	9.985 - 10.015VDC	-0.015 - 0.015VDC	4.985 - 5.015VDC	-10.015 - 9.985VDC	9.985 - 10.015VDC	-5.015 - -4.985VDC	4.985 - 5.015VDC



ORIGINAL

INFORMATION AND DATA SET FORTH HEREIN ARE DISCLOSED IN CONFIDENCE AND ARE PROPRIETARY TO AND THE PROPERTY OF CELESCO TRANSDUCER PRODUCTS INC. AND SHALL NOT BE USED, DUPLICATED, DISCLOSED OR TRANSFERRED, IN WHOLE OR IN PART, FOR ANY PURPOSE, WITHOUT THE EXPRESS PRIOR WRITTEN CONSENT OF CELESCO TRANSDUCER PRODUCTS INC.

20630 Plummer St
Chatsworth, CA. 91311
Tel: (818) 701-2750 Fax: (818) 701-2799
www.celesco.com

celesco
Transducer Products Inc.

THIRD ANGLE PROJECTION

TITLE
**ASSEMBLY DRAWING
PT5A, PT5MA, PT5DC,
PT5E, PT5CN, PT5DN, PT5232**

APPROVALS	DATE	SIZE	CODE IDENT. NO	DWG. NO.	REV
DRAWN E.GARCIA	9.7.2007	B	52158	PS-135	D
CHKD <i>EB</i>	<i>6/7/07</i>	DO NOT SCALE DRAWING		SCALE: 1:2	SHEET 10 OF 11



DRAWING CHANGE NOTICE

DRAWING NO. **PS-135** REV. **D**

SHEET 11 OF 11

DISPOSITION OF PARTS	USE AS IS	MUST CONFORM	PART NAME ASSEMBLY DRAWING			DCN NO. 8192		
IN FABRICATION		X	ENGINEERING APPROVAL			COPIES TO	YES	NO
IN STOCK		X		SIGNATURE	DATE	ENGINEERING	X	
BOXED PARTS		X	PREPARED BY	MSK	6/17/2011	INSPECTION	X	
IN ASSEMBLIES		X	CHECKED BY	<i>[Signature]</i>	6/17/2011	PLANNING	X	
IN BOND		X	APPROVED	<i>[Signature]</i>	6/17/11	PRODUCTION	X	
CUSTOMER REWORK		X	GEN MGR	X	X	PURCHASING	X	
			DCR NO. (IF APPLICABLE)	0000		QMR	X	
						SALES	X	

CHANGE NO	REVISED OR CHANGED FROM	SHEET/ZONE	ADDED OR CHANGED TO
1	WAS: PS-135, REV-C	ALL SHEETS	IS: PS-135, REV-D
2	15 INCH GEARS WERE: 9678770-0085 AND 9000440-0016	SHT 5/ B6	15 INCH GEARS ARE NOW : 9000440-0010 AND 9000440-0006
3	9604068-0001	SHT 5/ B6	9604224-0001
4	9604095-0001	SHT 5/ B6	9604238-0001
5	9604104-0001	SHT 5/ B6	9604246-0001
6	REVISED WIRING OF PT5DC(-5 TO +5VDC AND -10 TO +10VDC)	SHT 6/ A8	
7	ADD	SHT 5/ A7	PT5DC (-5 to +5VDC) 9604219-0001
8	ADD	SHT 5/ A8	PT5DC (-10 to +10VDC) 9604220-0001

NOTES
 change 2: New gears chosen for the 15 inch range. The old gear, 9000440-0016, was not used much. New gears have widespread usage.
 changes 3,4,5: Update pcb board assembly part numbers.
 change 6: New pcb assembly uses a connector instead of wiring soldered to the board.
 changes 7,8: Option on website but never added to PS drawings.

REMARKS: