

# PT510 Installation Instructions

Rev 1.0

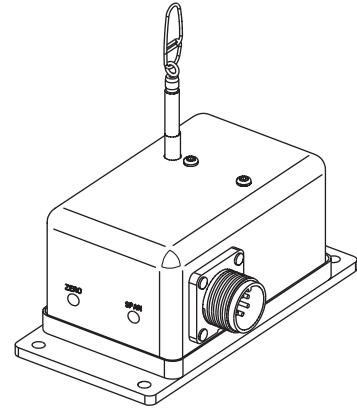


WARNING

Do not free release measuring cable!

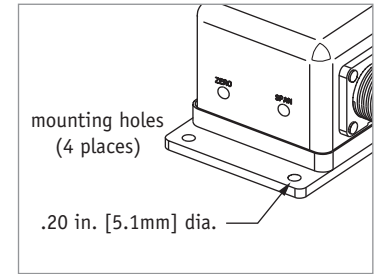
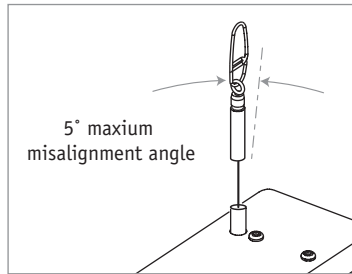
Do not over extend measuring cable!

Limit misalignment to 5° maximum!



## MECHANICAL

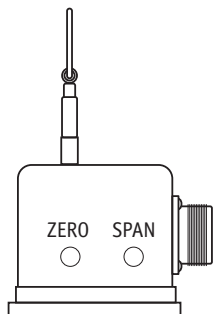
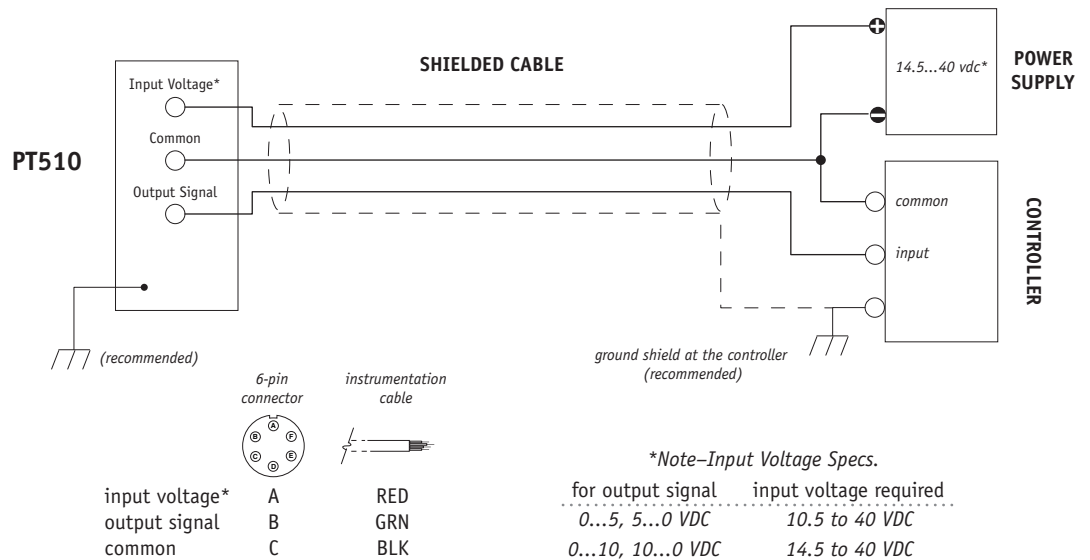
1. Mount transducer via the 4 mounting holes to a flat solid surface.
2. Connect measuring cable to moving object.



## ELECTRICAL

3. Connect system wiring.
4. If desired, use the zero and span controls to calibrate to exact measurement range (see below).

### System Wiring



### Changing Calibrated Range

- i. Remove caplugs to reveal zero and span trimpots
- ii. Extend measuring cable to 0 VDC position and adjust zero pot.
- iii. Extend measuring cable to 10 VDC (or 5 VDC) position and adjust span pot
- iv. Repeat steps ii and iii.
- v. Replace plugs.