

PT420 Installation Instructions

updated 3.19.07

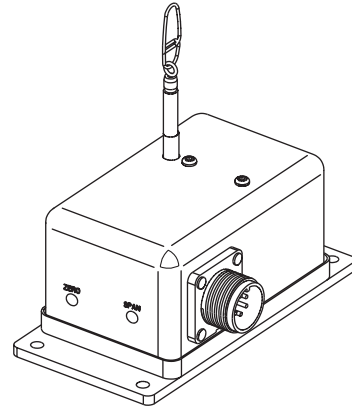


WARNING

Do not free release measuring cable!

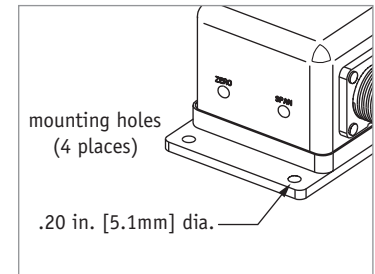
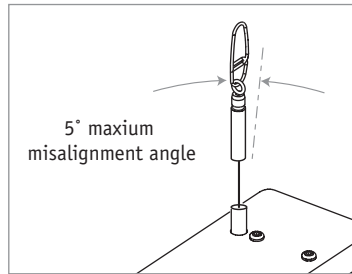
Do not over extend measuring cable!

Limit misalignment to 5° maximum!



MECHANICAL

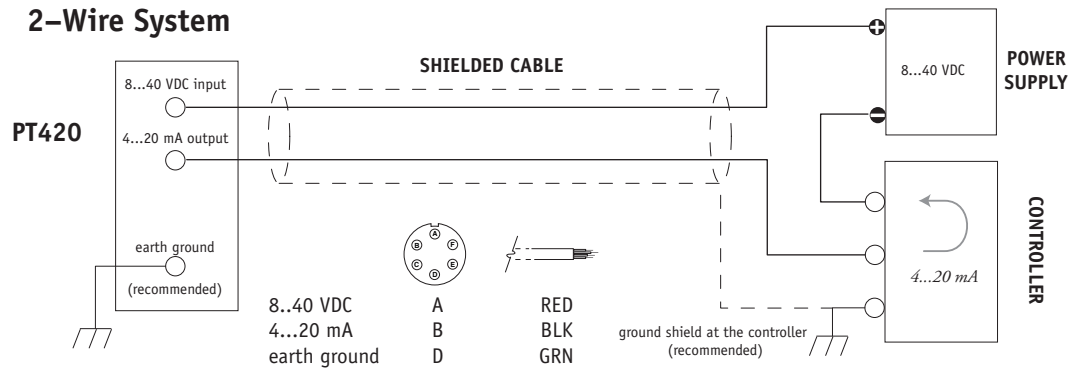
1. Mount transducer via the 4 mounting holes to a flat solid surface.
2. Connect measuring cable to moving object.



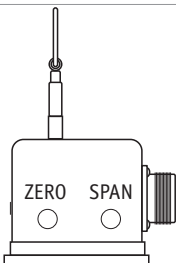
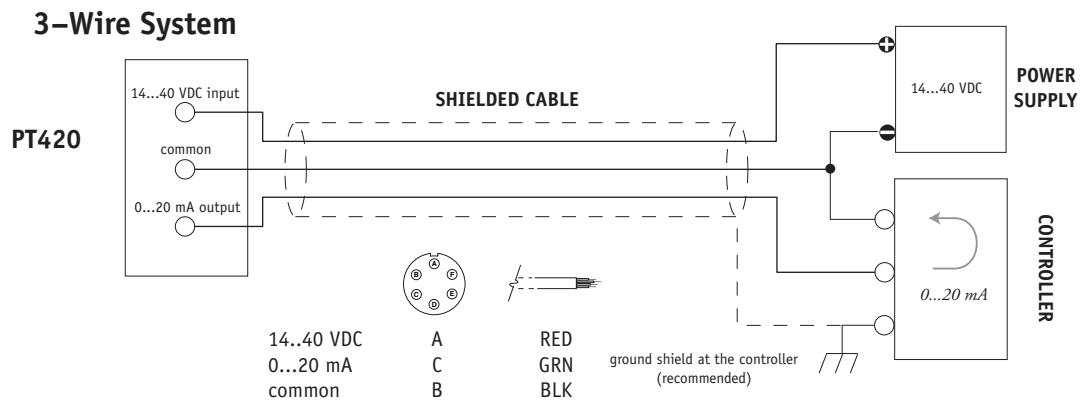
ELECTRICAL

3. Connect system wiring.
4. If desired, use the zero and span controls to calibrate to exact measurement range (see below).

2-Wire System



3-Wire System



Changing Calibrated Range

- i. Remove caplugs to reveal zero and span trimpots
- ii. Extend measuring cable to 0/4 mA position and adjust zero pot.
- iii. Extend measuring cable to 20 mA position and adjust span pot
- iv. Repeat steps ii and iii.
- v. Replace plugs.