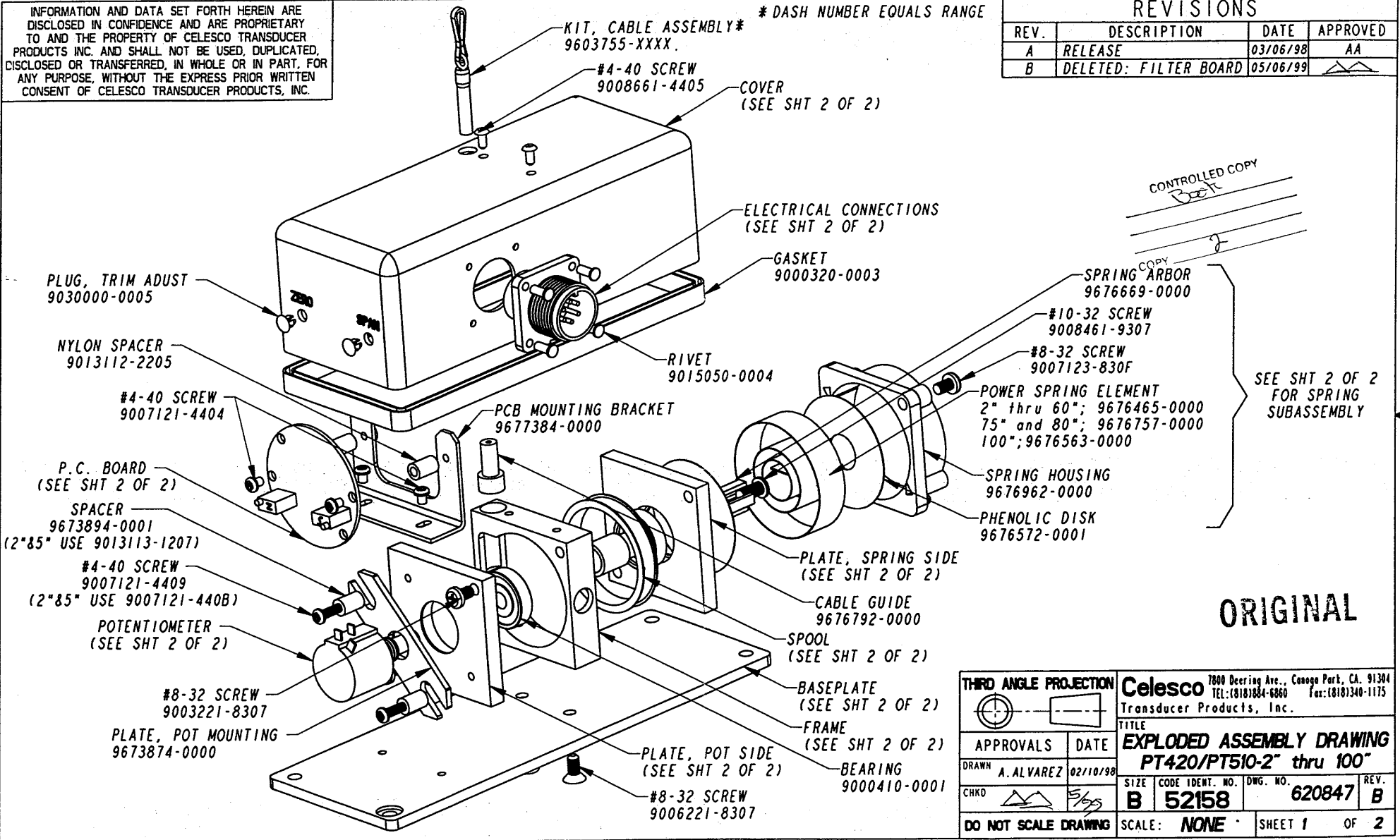


INFORMATION AND DATA SET FORTH HEREIN ARE DISCLOSED IN CONFIDENCE AND ARE PROPRIETARY TO AND THE PROPERTY OF CELESCO TRANSDUCER PRODUCTS INC. AND SHALL NOT BE USED, DUPLICATED, DISCLOSED OR TRANSFERRED, IN WHOLE OR IN PART, FOR ANY PURPOSE, WITHOUT THE EXPRESS PRIOR WRITTEN CONSENT OF CELESCO TRANSDUCER PRODUCTS, INC.

* DASH NUMBER EQUALS RANGE

REVISIONS

REV.	DESCRIPTION	DATE	APPROVED
A	RELEASE	03/06/98	AA
B	DELETED: FILTER BOARD	05/06/99	



CONTROLLED COPY
Boett

COPY

ORIGINAL

THIRD ANGLE PROJECTION				Celeco 7800 Deering Ave., Concord Park, CA. 91304 TEL: (818) 884-6860 Fax: (818) 340-1175 Transducer Products, Inc.	
APPROVALS		DATE		TITLE	
DRAWN A. ALVAREZ		02/10/98		EXPLODED ASSEMBLY DRAWING	
CHKD		5/95		PT420/PT510-2" thru 100"	
DO NOT SCALE DRAWING		SIZE	CODE IDENT. NO.	DWG. NO.	REV.
		B	52158	620847	B
		SCALE: NONE	SHEET 1		OF 2

	PT420 AND PT510 WITH STANDARD CABLE TENSION							
	2",10",20"	5",25",50"	15" AND 30"	40"	60"	75"	80"	100"
COVER	9677611-0000	9677611-0002	9677611-0001	9677611-0003	9677612-0000	9677620-0000	9677620-0000	9677617-0000
BASEPLATE	9677608-0000	9677608-0000	9677608-0000	9677608-0000	9677613-0000	9677621-0000	9677621-0000	9677618-0000
FRAME	9673966-0001	9673967-0001	9673966-0002	9676285-0000	9674184-0000	9673858-0000	9674323-0000	9673547-0000
SPOOL	9673965-0001	9673965-0004	9673965-0002	9673965-0003	9674185-0000	9673859-0000	9674322-0000	9673548-0000
PLT, POT SIDE	9673532-0000					9673871-0000	9673871-0000	9673546-0000
PLT, SPG SIDE	9673531-0000					9673862-0000	9673862-0000	9673545-0000
SPRING ASSY	9603557-0000					9603569-0000	9603569-0000	9603558-0000

REVISIONS			
REV.	DESCRIPTION	DATE	APPROVED
B	SEE SHEET 1 OF 2	05/06/99	

POTENTIOMETER	RANGE	PT420	PT510
	2"	500Ω, 1 TURN 9650430-0000	500Ω, 1 TURN 9650430-0000
5"			
10"	500Ω, 5 TURN 9085000-0004	500Ω, 5 TURN 9085000-0004	
15"			
20"	500Ω, 10 TURN 9085000-0003	500Ω, 10 TURN 9085000-0003	
25"	500Ω, 5 TURN 9085000-0004	500Ω, 5 TURN 9085000-0004	
30"			
40"			
50"			
60"	500Ω, 10 TURN 9085000-0003	500Ω, 10 TURN 9085000-0003	
75"			
80"			
100"			

OUTPUT	CIRCUIT	PT420	PT510
	4-20mA PCB ASSEMBLY	9603658-0000	N/A
	0-10V PCB ASSEMBLY	N/A	9603660-0000
	0-5V PCB ASSEMBLY	N/A	9603660-0001

OPTIONAL CABLE TENSION	DESCRIPTION	PART NUMBER	CABLE ASSY
	INCREASE TENSION	9603569-0000	9603062-XXXX
	HIGH TENSION	9603558-0000	9603062-XXXX
	DECREASE TENSION	9603682-0000	9603061-XXXX

OPTIONAL CABLE KIT ASSEMBLIES	
DESCRIPTION	ASSEMBLY P/N
Ø.024 STAINLESS STEEL	9603062-XXXX
Ø.047 STAINLESS STEEL	9603556-XXXX

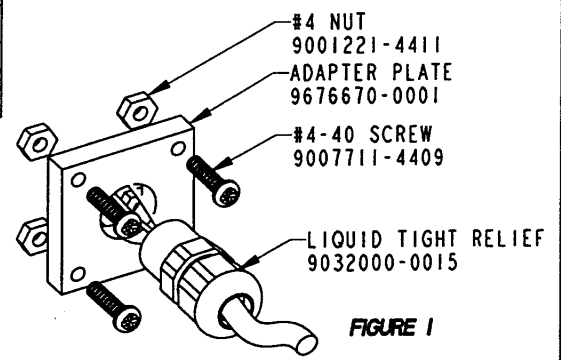
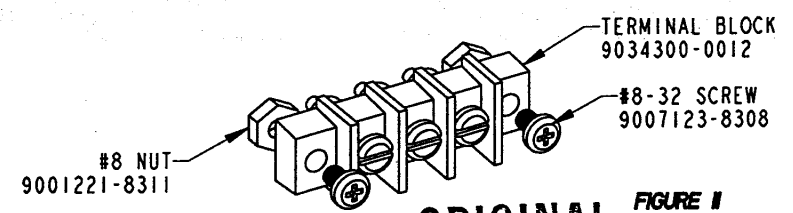


FIGURE I



ORIGINAL FIGURE II

ELECTRICAL CONNECTIONS	PLASTIC CONNECTOR	9035820-0001	SEE SHT 1 OF 2
	PLASTIC MATING CONN	9036820-0001	
	-----D E L E T E D-----		
	METAL CONNECTOR	9035810-0001	SEE FIGURE I
	METAL MATING CONN	9036810-0001	
	25FT INSTRUMENTATION CABLE	9603763-0000	
	TERMINAL STRIP	9034300-0012	

THIRD ANGLE PROJECTION				CeleSCO 7800 Deering Ave., Canoga Park, CA. 91304 TEL: (818)884-6860 Fax: (818)340-1175 Transducer Products, Inc.	
APPROVALS	DATE	EXPLODED ASSEMBLY DRAWING PT420/PT510, 2" thru 100"			
DRAWN A. ALVAREZ	02/10/99	SIZE	CODE IDENT. NO.	DWG. NO.	REV.
CHKD	5/99	B	52158	620847	B
DO NOT SCALE DRAWING		SCALE: NONE	SHEET 2 OF 2		