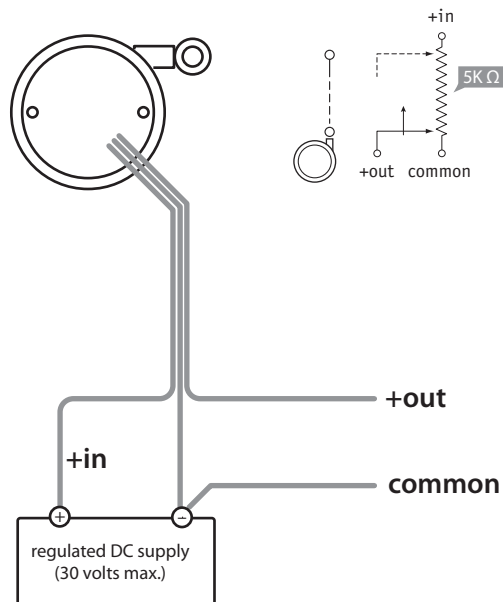


MTA

- voltage divider / 5k ohms

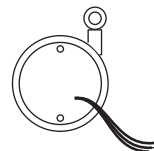
MTA Installation Guide

includes: MTA-3 and MTA-5



4-INCH WIRE OPTION:

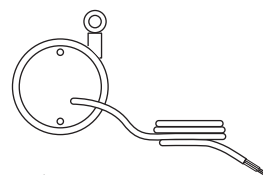
SIGNAL	COLOR
+in	brown
+out	red
common	orange



28 AWG 4 in. [100 mm] length

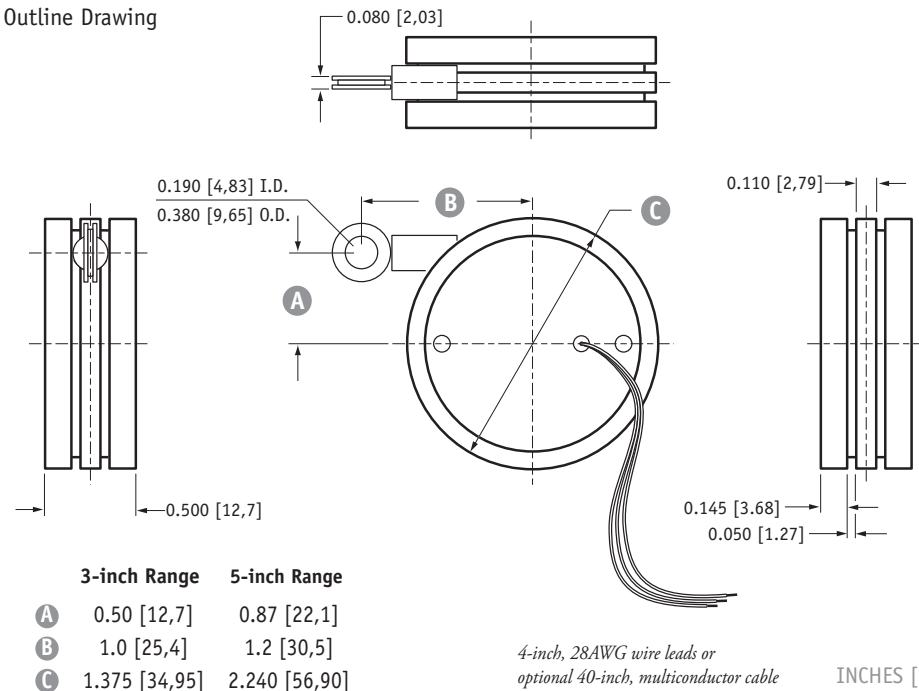
40-INCH SHIELDED CABLE OPTION:

SIGNAL	COLOR
+in	red
+out	green
common	black



Ø.2 in. [5 mm]
shielded, 24 AWG multiconductor
w/strain relief
40 in. [1 meter] length

Outline Drawing



General

Stroke Range Options: 3 and 5 inches
Output Signal: voltage divider (potentiometer)
Accuracy: $\pm .4\%$ fs.
Repeatability: $\pm .02\%$ fs.
Operating Temp: -67° to -212° F (-55° to 100° C)
Sensor: conductive plastic potentiometer
Potentiometer Cycle Life: 50 million cycles
Measuring Cable: .024-in. dia. nylon-coated stainless
Measuring Cable Tension 2 oz. (3-inch), 4 oz. (5-inch)

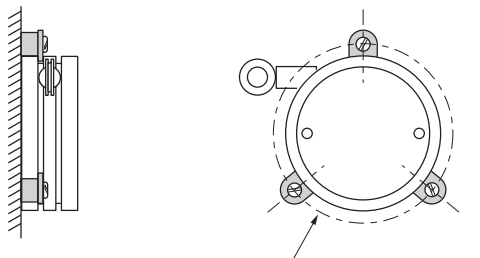
Enclosure Material anodized aluminum
Enclosure Design NEMA 12, IP55
Weight: .1 lbs (3-inch), .26 lbs (5-inch)

Electrical

Input Resistance: 5K ohms, $\pm 10\%$
Power Rating: 1 W at 104° F (40° C)
Recommended Max. Input Voltage 30VDC
Temp. Coefficient of Voltage Dividing Ratio $< 2\text{ppm}/^{\circ}\text{C}$
Temp. Coefficient of Resistance
 -50° to $+75^{\circ}$ C $\pm 200\text{ppm}/^{\circ}\text{C}$
 $+75^{\circ}$ to $+100^{\circ}$ C $\pm 300\text{ppm}/^{\circ}\text{C}$
Electrical Stroke: 94% $\pm 4\%$ of input voltage
Complete Specs: celesco.com/_datasheets/mta.pdf

version: 1.0 / item no: MTA-MANUAL

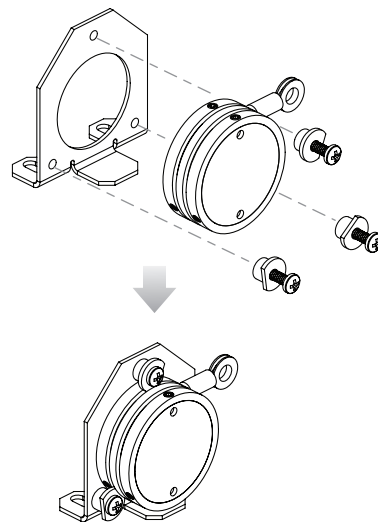
Servo Clip Mounting Option:



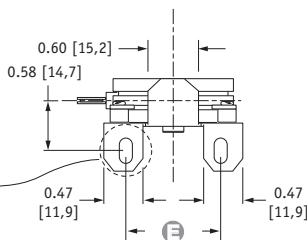
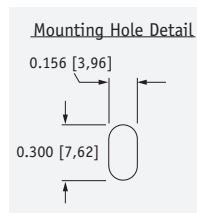
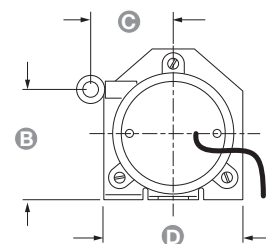
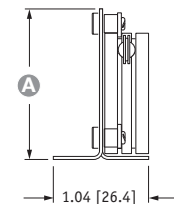
\varnothing 1.65 [41,9] BC. 120° Apart (3-inch)
 \varnothing 2.52 [63,9] BC. 120° Apart (5-inch)

use 4-40 or M3 screws and servo-clips to mount sensor.

Mounting Bracket Option:



(attach sensor to bracket as shown)



3-inch Range 5-inch Range

A	1.8 [46]	3.0 [75]
B	1.3 [33]	2.3 [59]
C	1.0 [25]	1.2 [31]
D	1.7 [42]	2.4 [62]
E	1.13 [28,6]	1.87 [47,6]

INCHES[MM]