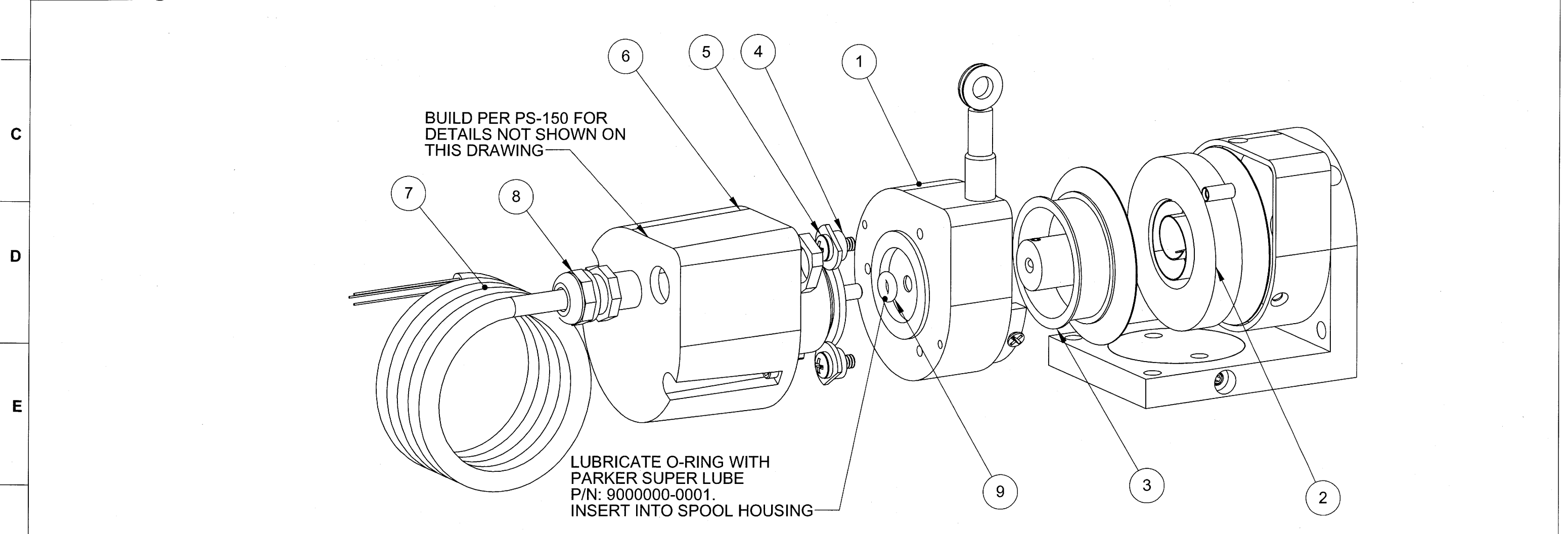


TABLE 1								
A	ORDER CODE -->	C1	C4	C2	C5	C3	C6	BC (NO HOLES)
	POLYCARBONATE COVER (6)	9678818-0001		9678818-0002		9678818-0003		9678686-0000
	ORDER CODE -->	C1A	C4A	C2A	C5A	C3A	C6A	BCA (NO HOLES)
	ALUMINUM COVER (6)	9679812-0001		9679812-0002		9679812-0003		9679899-0000
B	ELECTRICAL CABLE LENGTH (7)	15 FEET	30 FEET	15 FEET	30 FEET	15 FEET	30 FEET	-----

REVISIONS			
REV.	DESCRIPTION	DATE	APPROVED
B	SEE DCN: 7120	8/24/2009	<i>MSK</i>

**ORIGINAL**



ITEM NO.	PART NUMBER	DESCRIPTION	QTY.
9	9000313-0061	SEAL, O'RING, NITRILE, 0.114 ID	1
8	9679781-0000	BUSHING, STRAIN RELIEF, NICKEL	1
7	9000141-0030	CABLE, 3COND, 24 GA, PER 650478	AR
6	SEE TABLE 1	COVER, POT, MOD, MT3A	1
5	9007121-4405	MSCR CRES 0.112-40X0.25 XRSPNH	3
4	9000400-0226	CLAMP, SERVO MTG, SEE DWG 679439	3
3	9679381-0000	SPOOL, ALUM, MT3A	1
2	9678683-0000	SPRING, POWER, MT2A	1
1	9679380-0000	HOUSING, SPOOL, ALUM, MT3A	1

INFORMATION AND DATA SET FORTH HEREIN ARE DISCLOSED IN CONFIDENCE AND ARE PROPRIETARY TO AND THE PROPERTY OF CELESCO TRANSDUCER PRODUCTS INC. AND SHALL NOT BE USED, DUPLICATED, DISCLOSED OR TRANSFERRED, IN WHOLE OR IN PART, FOR ANY PURPOSE, WITHOUT THE EXPRESS PRIOR WRITTEN CONSENT OF CELESCO TRANSDUCER PRODUCTS INC.

**THIRD ANGLE PROJECTION**

**celesco** Transducer Products Inc.  
20630 Plummer St  
Chatsworth, CA. 91311  
Tel: (818) 701-2750 Fax: (818) 701-2799  
www.celesco.com

**TITLE**  
**MT3A ASSEMBLY**

<b>APPROVALS</b>	<b>DATE</b>	<b>SIZE</b>	<b>CODE IDENT. NO</b>	<b>DWG. NO.</b>	<b>REV</b>
DRAWN E.GARCIA	1/16/2009	<b>B</b>	<b>52158</b>	<b>PS-158</b>	<b>B</b>
CHKD <i>[Signature]</i>		DO NOT SCALE DRAWING		SCALE: 5:4	SHEET 1 OF 3

**ORIGINAL**

**ACCEPTANCE TEST PROCEDURE - EXCEPT 30"**

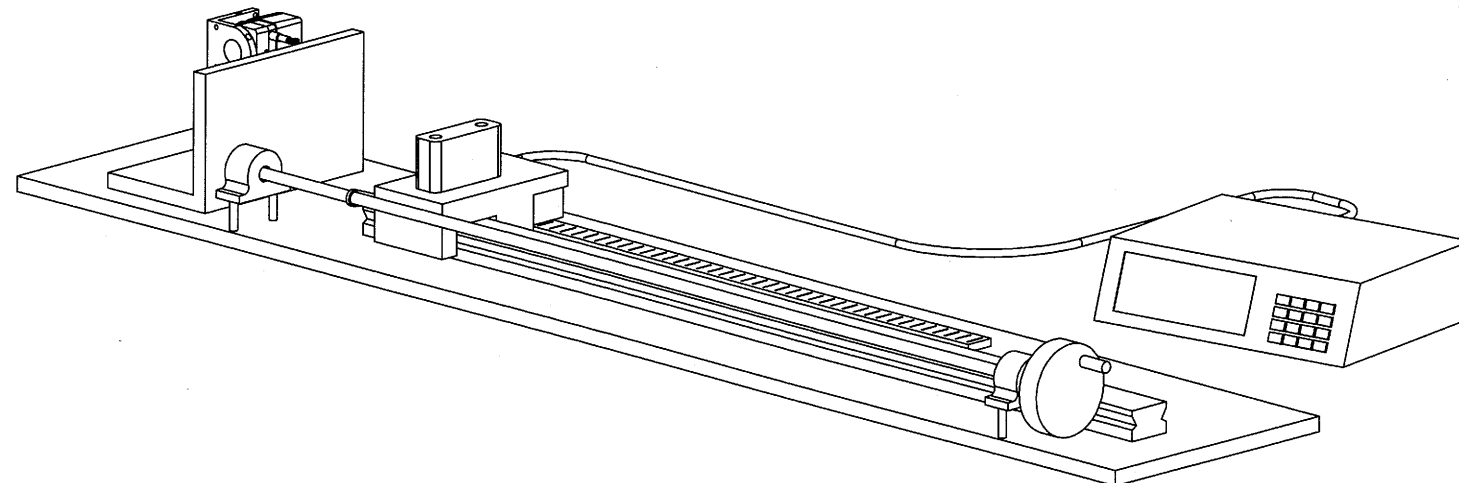
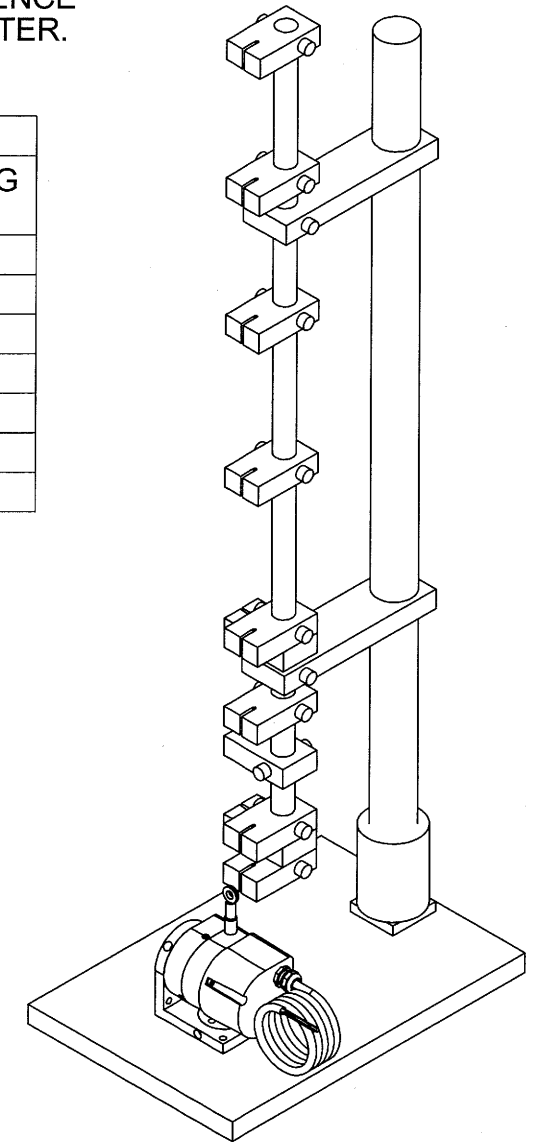
1. USING THE TEST FIXTURE CI3034 AND THE HARNESS LABELED MT2A, ENTER THE DATA PER THE SEQUENCE NUMBER IN TABLE 2 INTO THE TEST DATA COMPUTER.

TABLE 2		
CABLE POSITION % F.S.	OUTPUT DURING EXTENSION	OUTPUT DURING RETRACTION
0%	#1	#22
10%	#2	#21
20%	#3	#20
30%	#4	#19
40%	#5	#18
50%	#6	#17
60%	#7	#16
70%	#8	#15
80%	#9	#14
90%	#10	#13
100%	#11	#12

**ACCEPTANCE TEST PROCEDURE - 30" ONLY**

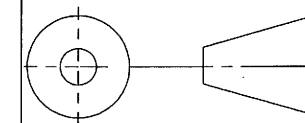
1. USING THE TEST FIXTURE 680293 AND THE HARNESS LABELED MT2A, ENTER THE DATA PER THE SEQUENCE NUMBER IN TABLE 3 INTO THE TEST DATA COMPUTER.

TABLE 3		
CABLE POSITION	OUTPUT DURING EXTENSION	OUTPUT DURING RETRACTION
0.000	#1	#14
5.000	#2	#13
10.000	#3	#12
15.000	#4	#11
20.000	#5	#10
25.000	#6	#9
30.000	#7	#8



INFORMATION AND DATA SET FORTH HEREIN ARE DISCLOSED IN CONFIDENCE AND ARE PROPRIETARY TO AND THE PROPERTY OF CELESCO TRANSDUCER PRODUCTS INC. AND SHALL NOT BE USED, DUPLICATED, DISCLOSED OR TRANSFERRED, IN WHOLE OR IN PART, FOR ANY PURPOSE, WITHOUT THE EXPRESS PRIOR WRITTEN CONSENT OF CELESCO TRANSDUCER PRODUCTS INC.

THIRD ANGLE PROJECTION



**celesco** 20630 Plummer St  
Chatsworth, CA. 91311  
Tel:(818)701-2750 Fax:(818)701-2799  
www.celesco.com  
Transducer Products Inc.

TITLE  
**MT3A ASSEMBLY**

APPROVALS		DATE	SIZE	CODE IDENT. NO	DWG. NO.	REV
DRAWN	E.GARCIA	1/16/2009	<b>B</b>	<b>52158</b>	<b>PS-158</b>	<b>B</b>
CHKD	<i>[Signature]</i>	<i>[Signature]</i>	SCALE: 1:6		SHEET 2 OF 3	
DO NOT SCALE DRAWING						

