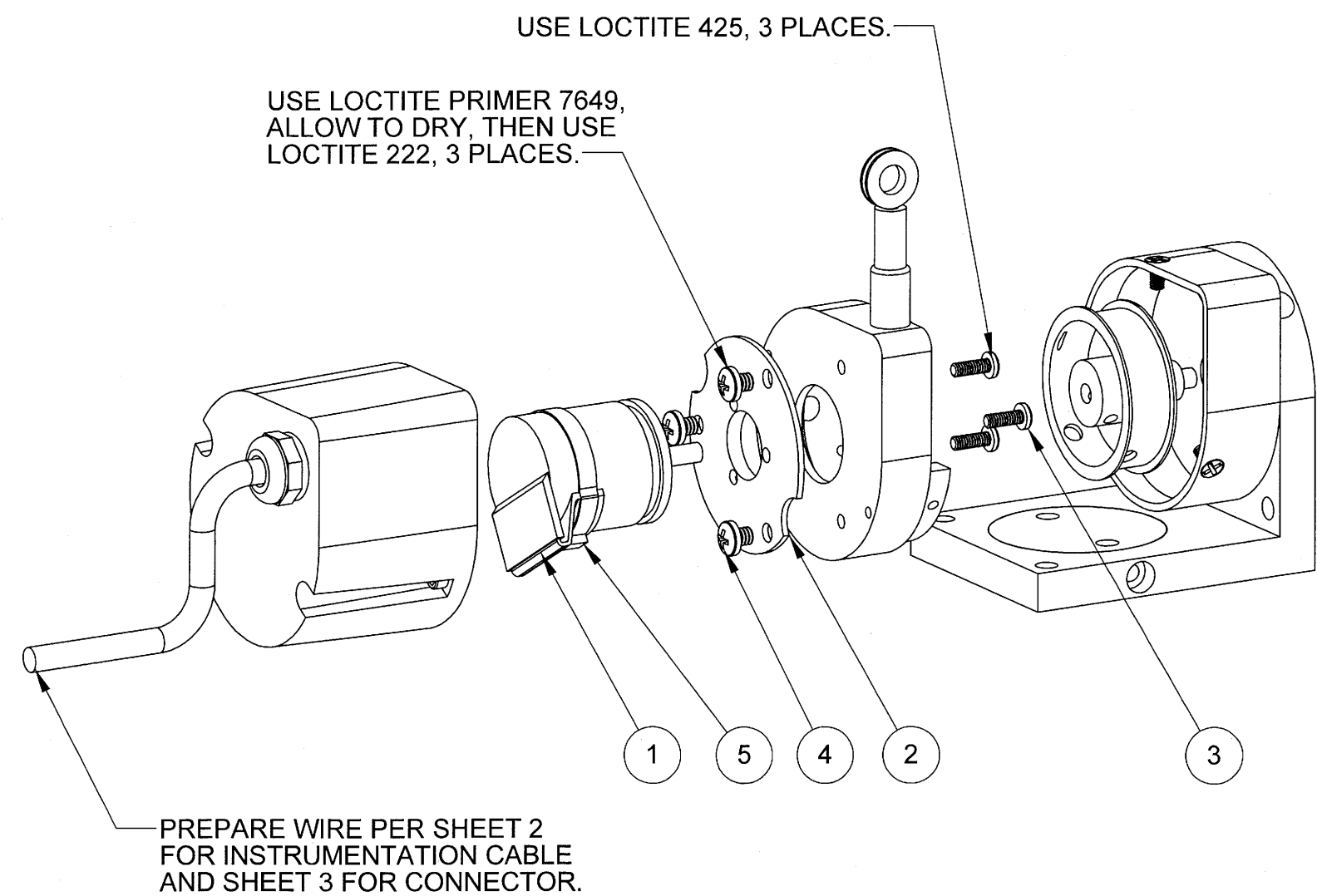


REVISIONS			
REV.	DESCRIPTION	DATE	APPROVED
A	SEE DCN: 6842	3/10/2009	<i>SE</i>



ORIGINAL

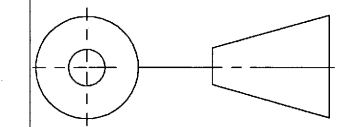
NOTES: UNLESS OTHERWISE SPECIFIED

1. BUILD PER PS-150 FOR DETAILS NOT SHOWN ON THIS DRAWING.

5	9032104-0001	CABLE TIE,4 IN LONG	1
4	9650444-0129	MSCR CRES 0.112-40X0.12 XRSPNH	3
3	9650444-0124	MSCR CRES 0.086-56X0.25 XRSPND	3
2	9678689-0000	BRACKET,MOUNTING,ENC,MT2E	1
1	9000910-0102	ENCODER,MT2E,1000 LINE,5-26VDC	1
ITEM NO.	PART NUMBER	DESCRIPTION	QTY.

INFORMATION AND DATA SET FORTH HEREIN ARE DISCLOSED IN CONFIDENCE AND ARE PROPRIETARY TO AND THE PROPERTY OF CELESCO TRANSDUCER PRODUCTS INC. AND SHALL NOT BE USED, DUPLICATED, DISCLOSED OR TRANSFERRED, IN WHOLE OR IN PART, FOR ANY PURPOSE, WITHOUT THE EXPRESS PRIOR WRITTEN CONSENT OF CELESCO TRANSDUCER PRODUCTS INC.

THIRD ANGLE PROJECTION



celesco 20630 Plummer St
Chatsworth, CA. 91311
Tel:(818)701-2750 Fax:(818)701-2799
www.celesco.com

Transducer Products Inc.
TITLE
MT2E ASSEMBLY

APPROVALS	DATE
E.GARCIA	3/10/2009

DRAWN	E.GARCIA	3/10/2009
CHKD	<i>MSK</i>	3/20/09

SIZE	CODE IDENT. NO	DWG. NO.	REV
B	52158	PS-163	A

DO NOT SCALE DRAWING

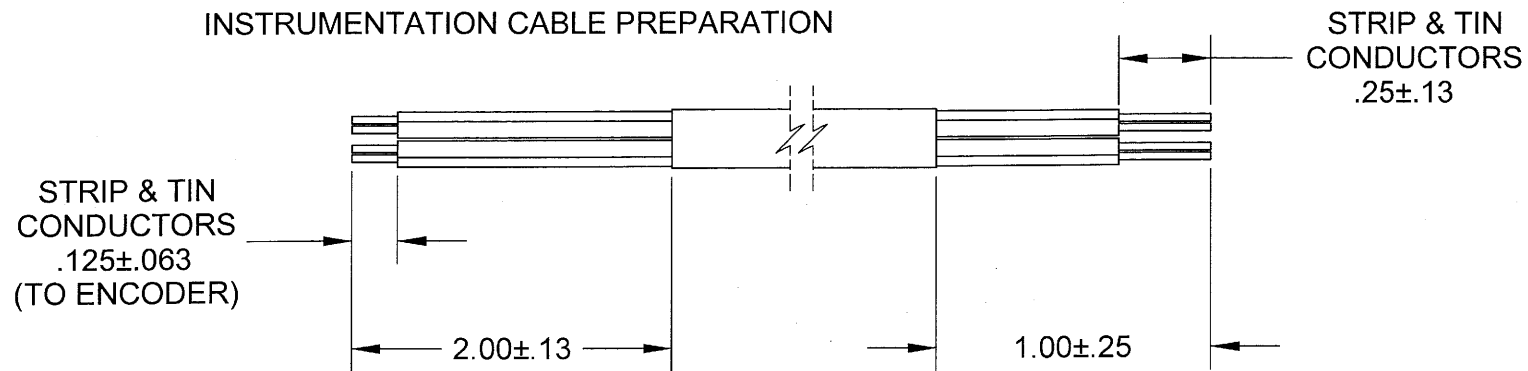
SCALE: 1:1 SHEET 1 OF 4

ORIGINAL

INSTRUMENTATION CABLE OPTION

A

INSTRUMENTATION CABLE PREPARATION



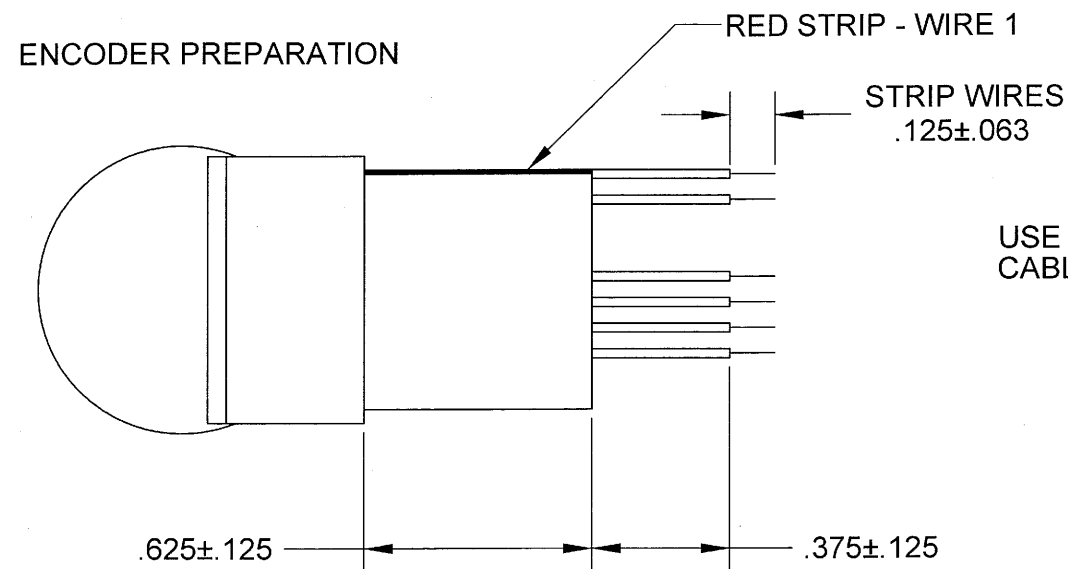
WIRING INSTRUCTIONS:

- CUT HEAT SHRINK, 9000200-0020 INTO 6 EQUAL SEGMENTS (APPROXIMATELY .75 LONG).
- SLIDE HEAT SHRINK OVER THE INSTRUMENTATION CABLE CONDUCTORS.
- SOLDER CONDUCTORS TO ENCODER WIRE PER TABLE #1.
- SLIDE HEAT SHRINK OVER SOLDERED AREA AND SHRINK AS REQUIRED.
- GENTLY TWIST THE SOLDERED WIRES TOGETHER, THEN INSTALL STRAIN RELIEF AND COVER PER PS-150.

B

C

ENCODER PREPARATION



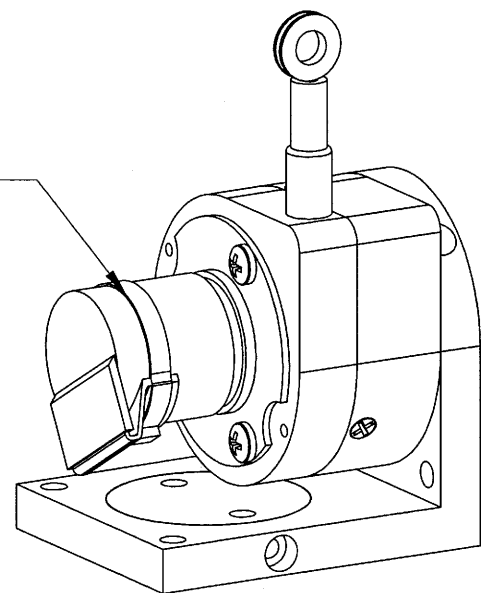
USE QTY 3 OF 9032104-0003 CABLE TIES AND COIL CABLE.

INSTALL HEAT SHRINK 9000200-0022 WHEN COMPLETE.

D

E

INSTALL CABLE TIE AFTER ENCODER RIBBON CABLE HAS BEEN PREPARED PER ABOVE.



F

G

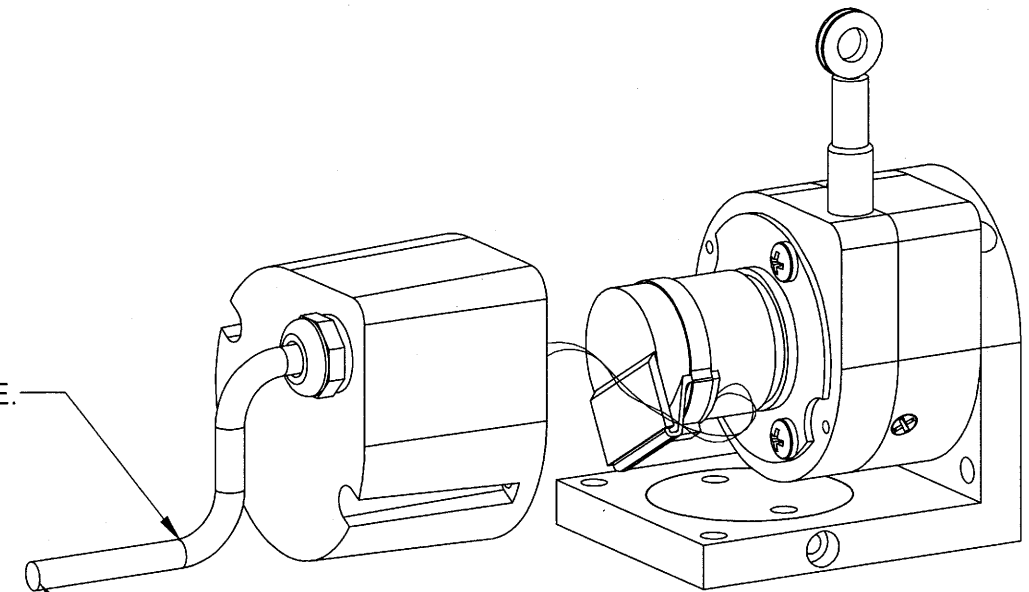
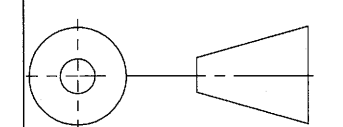


TABLE #1		
ENCODER WIRE NUMBER	INSTRUMENTATION WIRE COLOR	FUNCTION (REFERENCE)
1	BLACK	COMMON
2	RED	+ V
5	WHITE	CHANNEL B
6	BROWN	CHANNEL B'
7	GREEN	CHANNEL A
8	BLUE	CHANNEL A'

INFORMATION AND DATA SET FORTH HEREIN ARE DISCLOSED IN CONFIDENCE AND ARE PROPRIETARY TO AND THE PROPERTY OF CELESCO TRANSDUCER PRODUCTS INC. AND SHALL NOT BE USED, DUPLICATED, DISCLOSED OR TRANSFERRED, IN WHOLE OR IN PART, FOR ANY PURPOSE, WITHOUT THE EXPRESS PRIOR WRITTEN CONSENT OF CELESCO TRANSDUCER PRODUCTS INC.

THIRD ANGLE PROJECTION



celesco
Transducer Products Inc.
20630 Plummer St
Chatsworth, CA. 91311
Tel: (818)701-2750 Fax: (818)701-2799
www.celesco.com

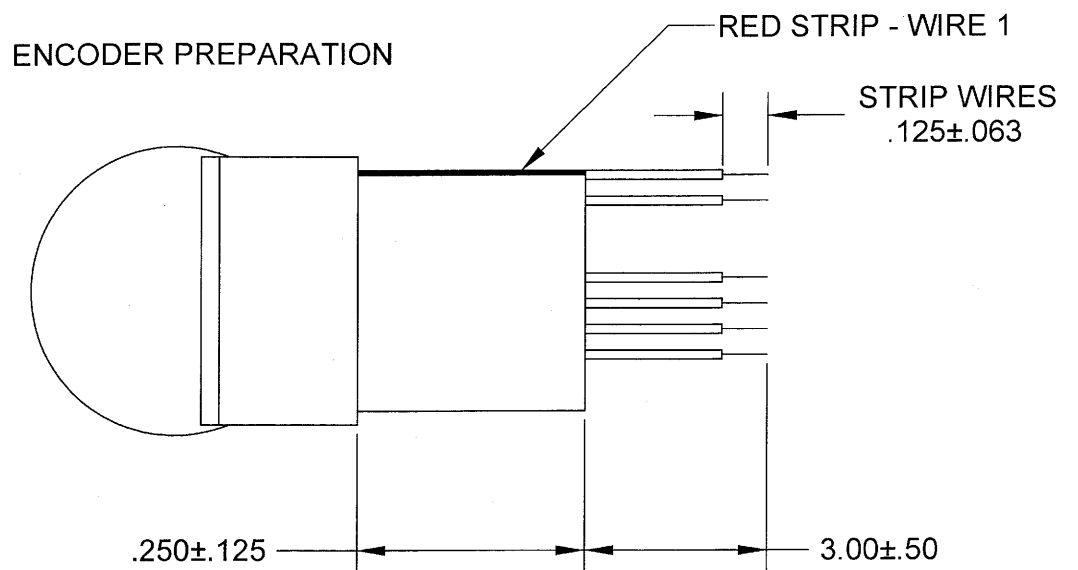
TITLE
MT2E ASSEMBLY

APPROVALS	DATE	SIZE	CODE IDENT. NO	DWG. NO.	REV
DRAWN E.GARCIA	3/10/2009	B	52158	PS-163	A
CHKD <i>MSK</i>	<i>3/20/09</i>				

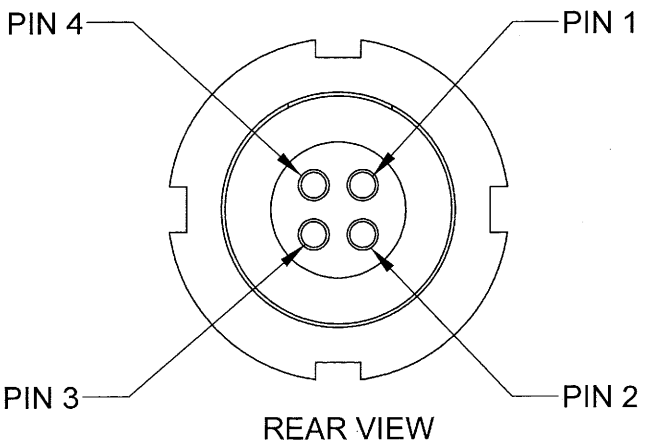
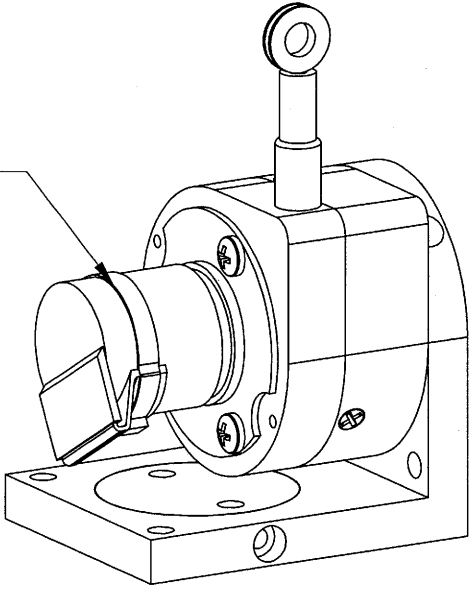
DO NOT SCALE DRAWING SCALE: 2:1 SHEET 2 OF 4

LEMO CONNECTOR OPTION

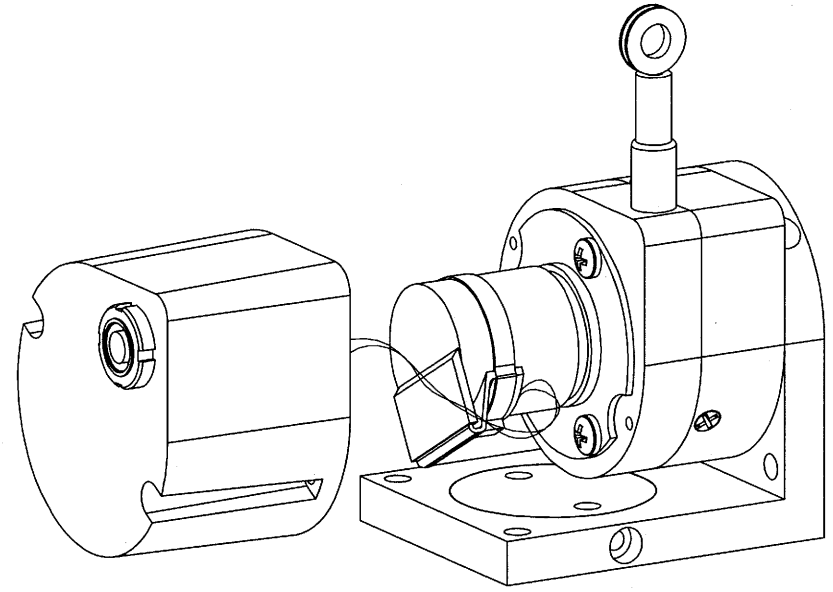
A
B
C
D
E
F
G



INSTALL CABLE TIE AFTER ENCODER RIBBON CABLE HAS BEEN PREPARED PER ABOVE.



- WIRING INSTRUCTIONS:**
- SLIDE SHRINK TUBING, 9000200-0016, OVER ENCODER WIRES (GROUP TOGETHER).
 - SLIDE CONNECTOR MOUNTING NUT OVER WIRES/SHRINK TUBING.
 - SOLDER RIBBON CABLE TO THE CONNECTOR PER TABLE #2.
 - GENTLY TWIST THE SOLDERED WIRES TOGETHER, THEN APPLY HEAT TO THE SHRINK TUBING OVER THE SOLDERED AREAS.
 - INSTALL CONNECTOR AND COVER PER PS-150.

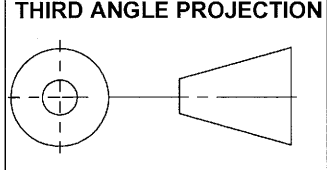


ORIGINAL

TABLE #2

ENCODER WIRE NUMBER	CONNECTOR PIN NUMBER	FUNCTION (REFERENCE)
1	2	COMMON
2	1	+ V
5	4	CHANNEL B
7	3	CHANNEL A

INFORMATION AND DATA SET FORTH HEREIN ARE DISCLOSED IN CONFIDENCE AND ARE PROPRIETARY TO AND THE PROPERTY OF CELESCO TRANSDUCER PRODUCTS INC. AND SHALL NOT BE USED, DUPLICATED, DISCLOSED OR TRANSFERRED, IN WHOLE OR IN PART, FOR ANY PURPOSE, WITHOUT THE EXPRESS PRIOR WRITTEN CONSENT OF CELESCO TRANSDUCER PRODUCTS INC.



celesco
Transducer Products Inc.
20630 Plummer St
Chatsworth, CA. 91311
Tel:(818)701-2750 Fax:(818)701-2799
www.celesco.com

TITLE
MT2E ASSEMBLY

APPROVALS	DATE	SIZE	CODE IDENT. NO	DWG. NO.	REV
DRAWN E.GARCIA	3/10/2009	B	52158	PS-163	A
CHKD <i>MSK</i>	<i>3/10/09</i>				

DO NOT SCALE DRAWING SCALE: 2:1 SHEET 3 OF 4

