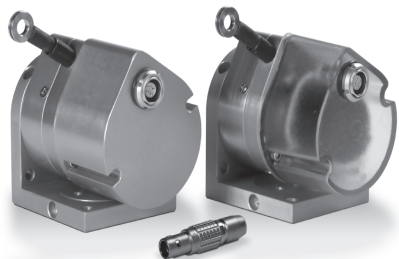
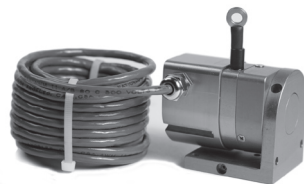
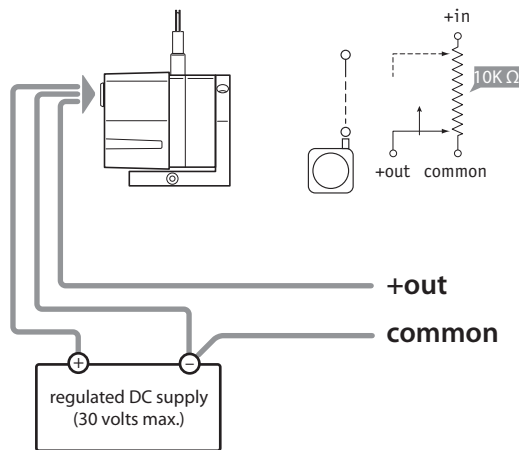


MT2/3 Series Installation Guide

includes: MT2A, MT2E and MT3A



MT2A - voltage divider / 10k ohms



24-ga., shielded instrumentation cable

color	signal
Red	+in
Black	common
Green	+out

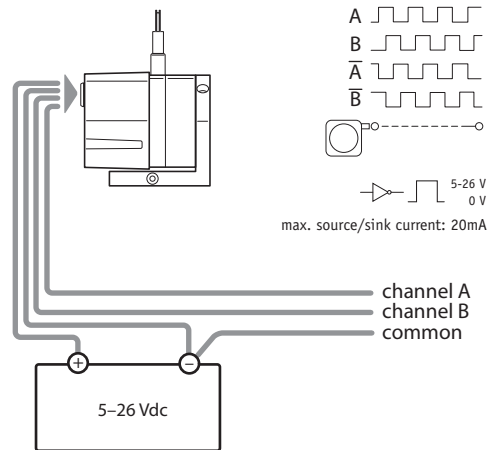
contact view

pin#	signal
1	+in
2	common
3	+out

terminal view

terminal	signal
CW	+in
CCW	common
S	+out

MT2E - incremental encoder



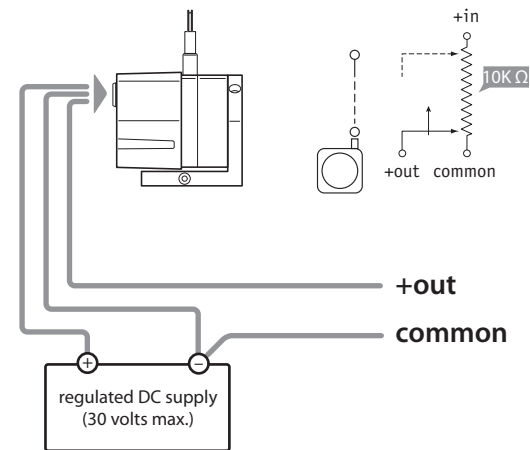
24-ga., shielded instrumentation cable

color	signal
Red	5...26 Vdc (V+)
Black	common (gnd.)
Green	channel A
White	channel B
Blue	channel \bar{A}
Brown	channel \bar{B}

contact view

pin#	signal
1	input voltage (V+)
2	common (gnd.)
3	channel A
4	channel B

MT3A - voltage divider / 10k ohms

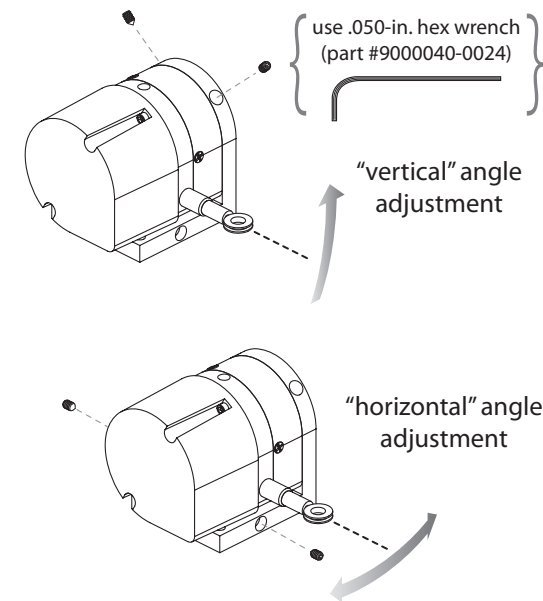


24-ga., shielded instrumentation cable

color	signal
Red	+in
Black	common
Green	+out

Measuring Cable Angle Adjustment:

1. loosen both set screws to adjust cable angle
2. rotate sensor body to desired angle
3. tighten both set screws



Mechanical

Enclosure:	anodized aluminum
Sensor Cover Options:	aluminum, polycarbonate
Measuring Cable:	.019-in. dia. nylon-coated stainless
Measuring Cable Tension Options:	9, 14, 33 oz.
Max Cable Acceleration:	136 g

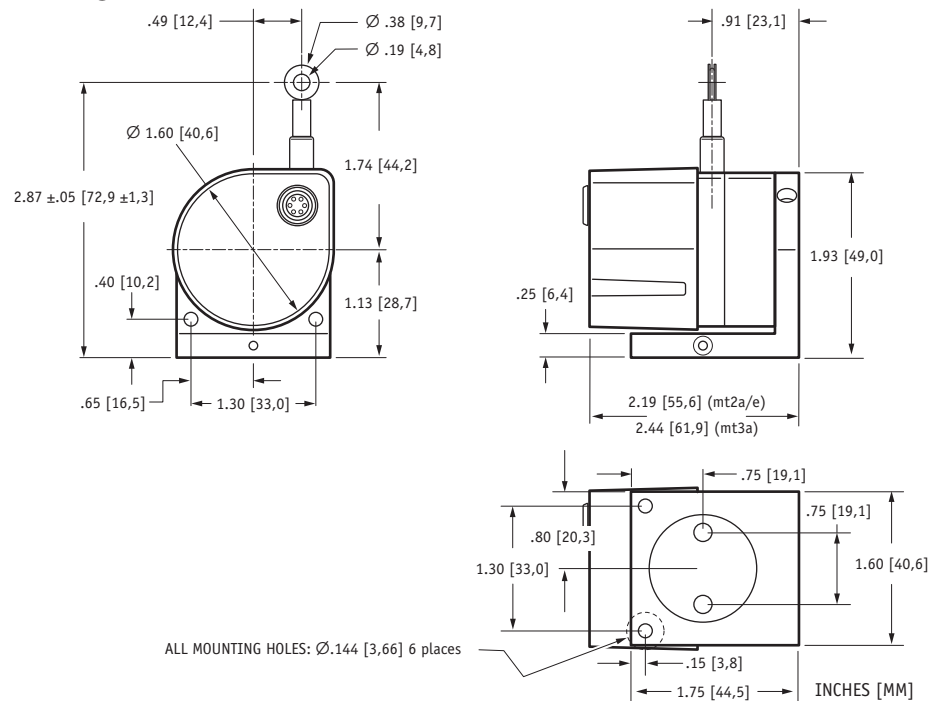
MT2A / MT3A

Stroke Range Options:	3, 9, 15 and 30 inches
Accuracy	
3-inch range:	1% fs.
all others:	.25% fs.
Repeatability:	±.05% fs.
Input Resistance:	10K ohms, ±10%
Power Rating:	2 W at 70°F (21°C)
Operating Temp:	-65° to -255°F (-55 to 125°C)
Environmental (MT2A)	NEMA 1, IP50
Environmental (MT3A)	NEMA 4, IP67
MT2A Specs:	celesco.com/_datasheets/mt2a.pdf
MT3A Specs:	celesco.com/_datasheets/mt3a.pdf

MT2E

Stroke Range:	30 inches
Output Signal:	incremental encoder
Resolution:	316 ± 7 ppi (13 ± 1 ppm)
Accuracy	±.04% full stroke
Repeatability:	±.02% full stroke
Input Voltage:	5-26 Vdc
Input Current:	35 mA, no load
Operating Temp:	32°-160°F (0° to 70°C)
Environmental (MT2A)	NEMA 1, IP50
MT2E Specs:	celesco.com/_datasheets/mt2e.pdf

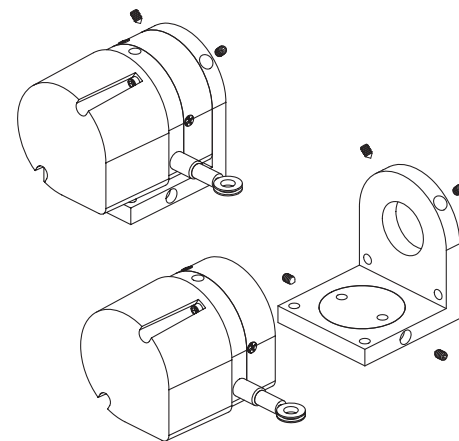
Outline Drawing:



Mounting Hole Access:

The sensor body can easily be removed from the L-bracket to gain access to any of the 6 available mounting holes by following instructions below:

1. loosen set screws at "top" of L-bracket
2. slide sensor body free from L-bracket
3. after L-bracket is secured to fixed surface, replace sensor body and tighten set screws.



set screws, qty 4: #4-40 x 0.19
(part #: 9650444-0051)