

**SPECIFICATIONS:**

Analog I/Os: (See Note 1)

0 - 5 V DC output, 8 - 30 V DC input, 35 mA max.

0.5 - 4.5 V DC output, 8 - 30 V DC input, 35 mA max.

0 - 10 V DC output, 12 - 30 V DC input, 35 mA max.

4 - 20 mA DC output, 18 - 30 V DC input, 60 mA max. (75 C max.)

Measuring Ranges: See range table

Zero and Full Scale: SenSet Adjustable

Linearity Error: ±0.15% of FSO (Full Span Output) typical, ±0.25% max.

Resolution: 0.025% of FSO

Update Rate: 300 Hz nominal

Operating Temperature Range: -20 to 85 C (-40 to 105 C extended temp.)

Temperature coefficient: ≤±0.015% of FSO/K

Humidity: 95% RH non-condensing

Vibration: 5-20 Hz, 0.5 inch p-p; 20-2000 Hz, 4.2 g p-p

Shock: 1000 g, 11 msec.

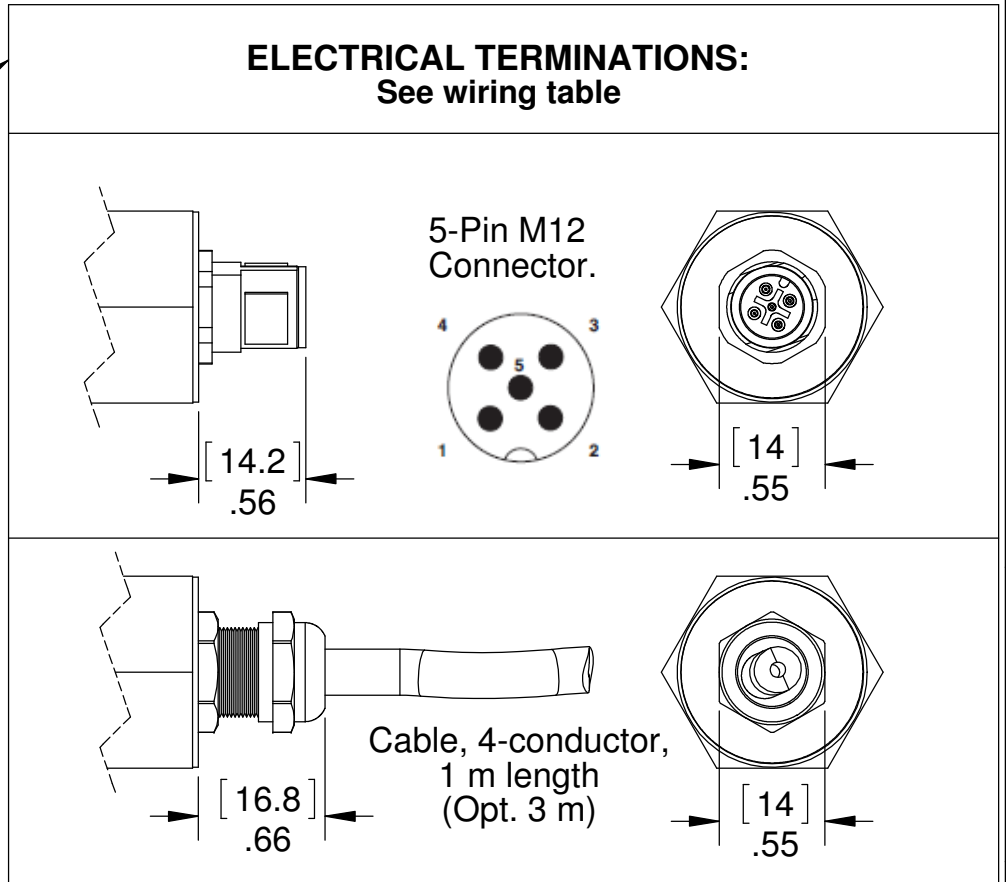
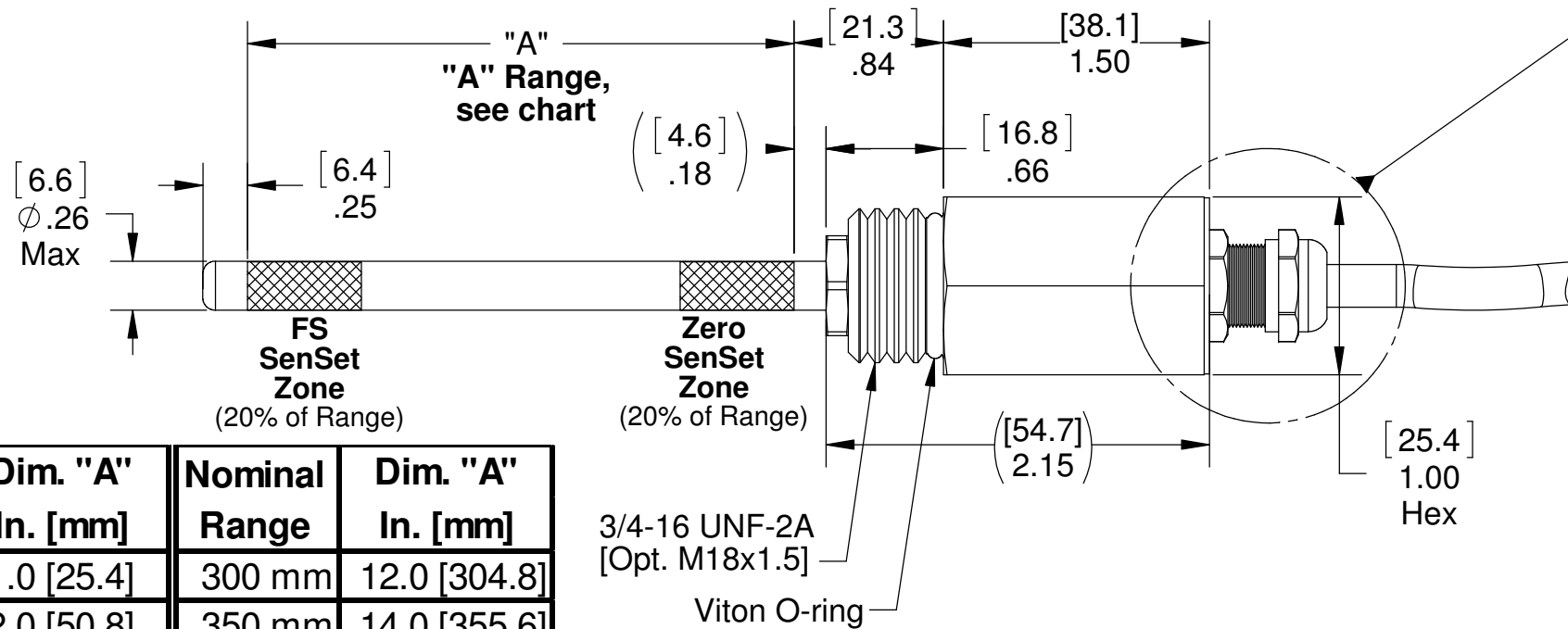
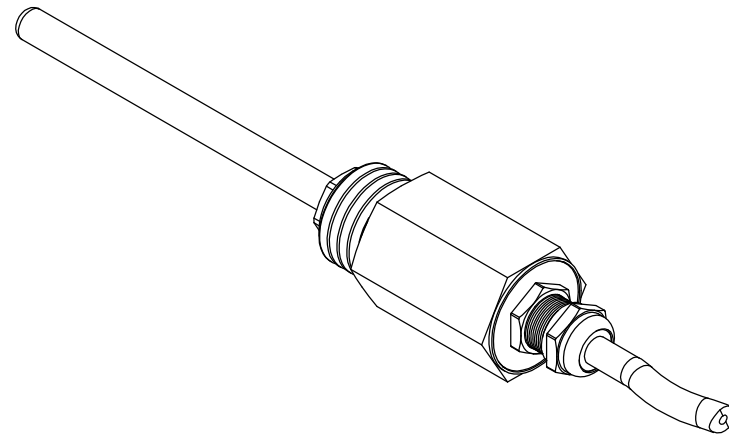
Pressure Media: Standard mineral oil and HWB hydraulic fluids

Pressure Rating: 5000 psig (350 bar) max. operating, 7500 psig (520 bar) proof

Note 1. Analog output is maximum at probe tip end; see technical data sheet to specify reversed output.

Specifications are subject to change without notice.

REVISIONS			
REV.	DESCRIPTION	DATE	APPROVED
A	Add Termination & Range tables, edit specs.	12-10-14	EH
B	Add mm dims, add Ordering Guide, edit specs	01-09-15	EH
C	Update Specifications to V2	02-02-15	EH
D	Update Termination configurations for shorter housing	04-20-15	EH
E	Change dim .84 [21.3] (was .94 [23.9], add cable description.	01-04-16	EH
F	Edit dim $\phi$ .26 (was .27), reference ECN 16-177	09-20-16	EH
G	Update Range Table	04-16-18	EH



Nominal Range	Dim. "A" In. [mm]	Nominal Range	Dim. "A" In. [mm]
25 mm	1.0 [25.4]	300 mm	12.0 [304.8]
50 mm	2.0 [50.8]	350 mm	14.0 [355.6]
75 mm	3.0 [76.2]	400 mm	16.0 [406.4]
100 mm	4.0 [101.6]	450 mm	18.0 [457.2]
125 mm	5.0 [127.0]	500 mm	20.0 [508.0]
150 mm	6.0 [152.4]	600 mm	24.0 [609.6]
175 mm	7.0 [177.8]	700 mm	28.0 [711.2]
200 mm	8.0 [203.2]	750 mm	30.0 [762.0]
225 mm	9.0 [228.6]	800 mm	32.0 [812.8]
250 mm	10.0 [254.0]	900 mm	36.0 [914.4]

Ordering Guide	
Model	Output
MHPE	Voltage
MHPI	Current

MHPX-7-XX I/O Function	Conn. Pin	Cable Color
+ Power Input	1	Red
Ground	2	Black
Voltage Output	3	Green
Current Output	4	Green
SenSet™	5	White

UNLESS OTHERWISE SPECIFIED:		CONTRACT NO.	
1. DO NOT SCALE DRAWING		---	
2. DIMENSIONS ARE IN INCHES		---	
3. INTERPRET DIM/TOL PER ANSI Y14.5M-1994		---	
4. DEBURR/BREAK SHARP EDGES		---	
5. DIMS ARE BEFORE FINISH		---	
6. (DATA) FOR REFERENCE ONLY		---	
TOLERANCES		---	
DECIMAL:	ANGULAR:	---	
.XX ±.010	±.5°	---	
.XXX ±.005		---	
THIRD ANGLE PROJECTION		---	
DRAWN BY: G E Miller		DATE: 10-23-14	
ENGINEER: Ed Herceg		CHECKED BY: Ed Herceg	
---		DATE: 10-23-14	
MFG: ---		APPROVED BY: ---	
---		---	

**ALLIANCE SENSORS GROUP**  
 A DIVISION OF H.G. SCHAEVITZ LLC  
 Moorestown, New Jersey USA [alliancesensors.com](http://alliancesensors.com)

**MHPX-7 LVIT Series Ass'y**  
 Outline

SIZE: **B** CAGE CODE: N/A DWG. NO.: **3000-0018-XX** REV: **G**

FILENAME: SCALE: 1:1 RELEASE DATE: SHEET 1 OF 1

DWG. NO. 3000-0018-XX REV. G EDITION 04-16-18 BY: GEM

**DISTRIBUTOR / DISTRIBUIDOR**

Brazil and South America / Brasil e América do Sul



**Address / Endereço:**

Rua Sete de Setembro, 2656  
13560-181 - São Carlos - SP  
Brazil / Brasil

**Phone / Telefone:**

+55 (16) 3371-0112  
+55 (16) 3372-7800

**Internet:**

[www.metrolog.net](http://www.metrolog.net)  
[metrolog@metrolog.net](mailto:metrolog@metrolog.net)

**ALLIANCE SENSORS GROUP**  
A DIVISION OF H.G. SCHAEVITZ LLC

Alliance Sensors Group  
102 Commerce Drive, Unit 8  
Moorestown, New Jersey 08057 USA  
Ph: 856-727-0250  
[www.alliancesensors.com](http://www.alliancesensors.com)  
[info@alliancesensors.com](mailto:info@alliancesensors.com)