

SPECIFICATIONS:

Analog I/Os: (See Note 1)

0 - 5 V DC output, 8 - 30 V DC input, 35 mA max.

0.5 - 4.5 V DC output, 8 - 30 V DC input, 35 mA max.

0 - 10 V DC output, 12 - 30 V DC input, 35 mA max.

4 - 20 mA DC output, 18 - 30 V DC input, 60 mA max. (75 C max.)

Measuring Ranges: See range table

Zero and Full Scale: SenSet Adjustable

Linearity Error: ±0.15% of FSO (Full Span Output) typical, ±0.25% max.

Resolution: 0.025% of FSO

Update Rate: 300 Hz nominal

Operating Temperature Range: -20 to 85 C (-40 to 105 C extended temp.)

Temperature coefficient: ≤±0.015% of FSO/K

Humidity: 95% RH non-condensing

Vibration: 5-20 Hz, 0.5 inch p-p; 20-2000 Hz, 4.2 g p-p

Shock: 1000 g, 11 msec.

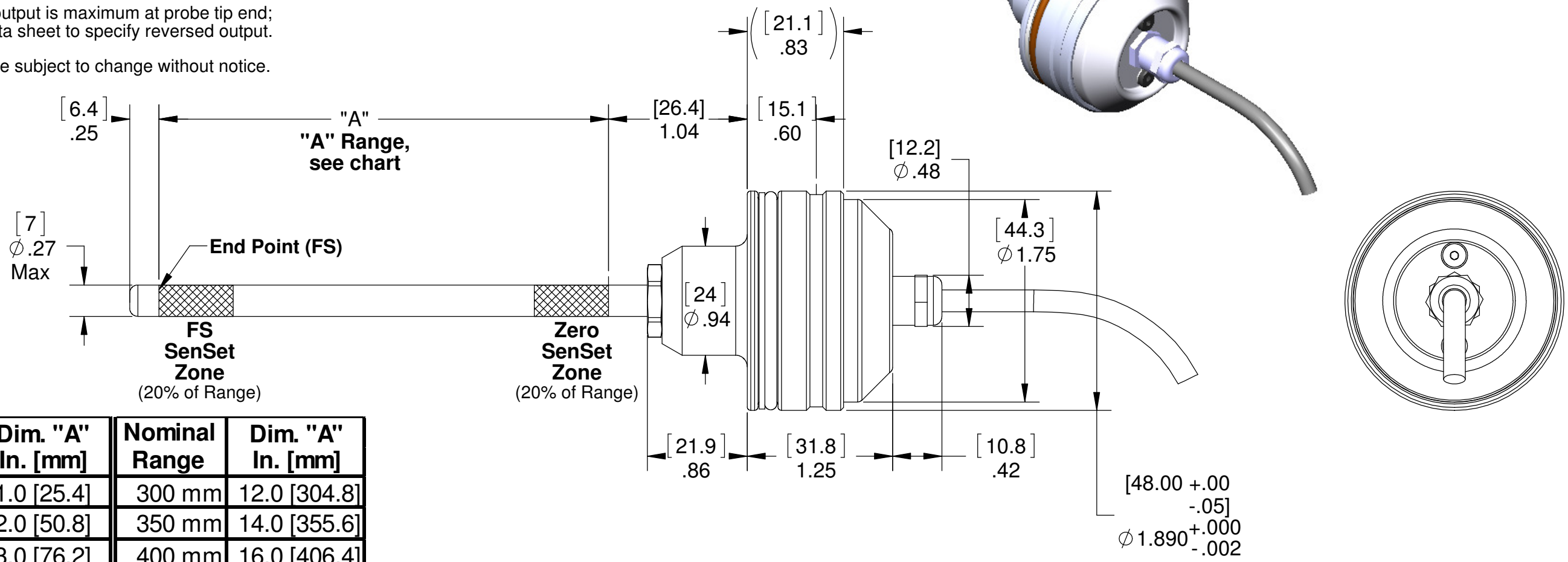
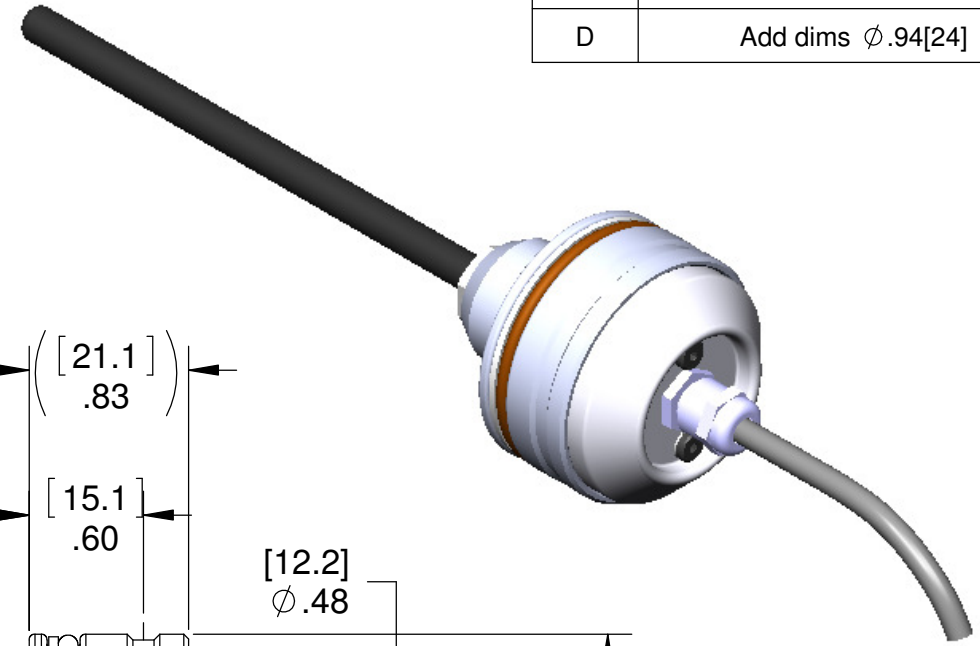
Pressure Media: Standard mineral oil and HWB hydraulic fluids

Pressure Rating: 5000 psig (350 bar) operating max., 7500 psig (520 bar) proof

Note 1. Analog output is maximum at probe tip end; see technical data sheet to specify reversed output.

Specifications are subject to change without notice.

REVISIONS			
REV.	DESCRIPTION	DATE	APPROVED
A	Edit notes. Add new tables. Change Probe dimensioning scheme.	07-23-14	EH
B	Add metric dims	01-14-15	EH
C	Update Specifications to V5	02-02-15	EH
D	Add dims ϕ .94[24] & .48[12.2]	03-19-15	EH



Nominal Range	Dim. "A" In. [mm]	Nominal Range	Dim. "A" In. [mm]
25 mm	1.0 [25.4]	300 mm	12.0 [304.8]
50 mm	2.0 [50.8]	350 mm	14.0 [355.6]
75 mm	3.0 [76.2]	400 mm	16.0 [406.4]
100 mm	4.0 [101.6]	450 mm	18.0 [457.2]
125 mm	5.0 [127.0]	500 mm	20.0 [508.0]
150 mm	6.0 [152.4]	600 mm	24.0 [609.6]
175 mm	7.0 [177.8]	700 mm	28.0 [711.2]
200 mm	8.0 [203.2]	800 mm	32.0 [812.8]
225 mm	9.0 [228.6]	900 mm	36.0 [914.4]
250 mm	10.0 [254.0]		

Ordering Guide	
Model	Output
MEE	Voltage
MEI	Current

MEX-7 Series Wiring Table	
I/O Function	Cable Color
Power input	Red
Ground	Black
Analog output	Green
SenSet™	White

UNLESS OTHERWISE SPECIFIED:		CONTRACT NO.	
1. DO NOT SCALE DRAWING		--	
2. DIMENSIONS ARE IN INCHES		--	
3. INTERPRET DIM/TOL PER ANSI Y14.5M-1994		DRAWN BY: G E Miller	
4. DEBURR/BREAK SHARP EDGES		DATE: 03-28-13	
5. DIMS ARE BEFORE FINISH		ENGINEER: Ed Herceg	
6. (DATA) FOR REFERENCE ONLY		CHECKED BY: Ed Herceg	
TOLERANCES		DATE: 03-28-13	
DECIMAL: .XX ±.010	ANGULAR: ±.5°	QA: --	
.XXX ±.005		MFG: --	
THIRD ANGLE PROJECTION		APPROVED BY: --	

ALLIANCE SENSORS GROUP
 A DIVISION OF H.G. SCHAEVITZ LLC
 Moorestown, New Jersey USA alliancesensors.com

MEX-7-XX Series Outline
 Outline

SIZE: **B** CAGE CODE: N/A DWG. NO.: **3000-0006-XX** REV: **D**

SCALE: 1:1 RELEASE DATE: -- SHEET 1 OF 1

DWG. NO. 3000-0006-XX REV. D EDITION 03-19-15 BY: GEM

DISTRIBUTOR / DISTRIBUIDOR

Brazil and South America / Brasil e América do Sul



Address / Endereço:

Rua Sete de Setembro, 2656
13560-181 - São Carlos - SP
Brazil / Brasil

Phone / Telefone:

+55 (16) 3371-0112
+55 (16) 3372-7800

Internet:

www.metrolog.net
metrolog@metrolog.net

ALLIANCE SENSORS GROUP
A DIVISION OF H.G. SCHAEVITZ LLC

Alliance Sensors Group
102 Commerce Drive, Unit 8
Moorestown, New Jersey 08057 USA
Ph: 856-727-0250
www.alliancesensors.com
info@alliancesensors.com