

SPECIFICATIONS:

Analog I/Os: (See Note 1)

0 - 5 V DC output, 8 - 30 V DC input, 35 mA max.

0.5 - 4.5 V DC output, 8 - 30 V DC input, 35 mA max.

0 - 10 V DC output, 12 - 30 V DC input, 35 mA max.

4 - 20 mA DC output, 18 - 30 V DC input, 60 mA max. (75 C max.)

Measuring Ranges: See range table

Zero and Full Scale: SenSet Adjustable

Linearity Error: ±0.15% of FSO (Full Span Output) typical, ±0.25% max.

Resolution: 0.025% of FSO

Update Rate: 300 Hz nominal

Operating Temperature Range: -20 to 85 C (-40 to 105 C extended temp.)

Temperature coefficient: ≤±0.015% of FSO/K

Humidity: 95% RH non-condensing

Vibration: 5 - 20 Hz, 0.5 inch p-p; 20 - 2000 Hz, 4.2 g p-p

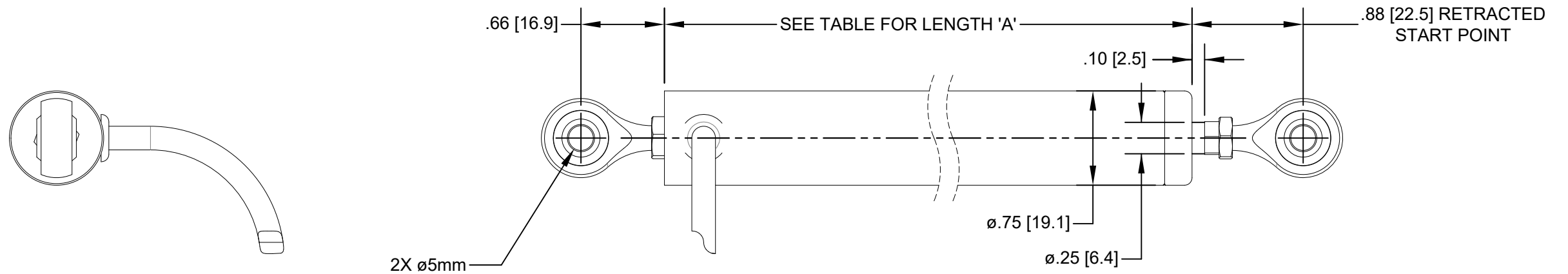
Shock: 1000 g, 11 msec.

Sealing: IEC IP-67

Note 1: Analog output is maximum with rod extended;
see technical data sheet to specify reversed output.

Specifications are subject to change without notice.

REVISIONS			
REV.	DESCRIPTION	DATE	APPROVED
A	Edit Unit Length table dims by adding .25 to Body Length, and edit Connection table	08-12-14	EH
B	Update Specifications	02-06-15	EH
C	Edited Retracted Start Point	10-21-15	EH
D	Unit Length Table & Bushing Housing modified	03-25-16	EH



UNIT LENGTH TABLE

NOMINAL RANGE	'A' BODYLENGTH
1.0 inch [25 mm]	3.74 inches [95.0 mm]
2.0 inches [50 mm]	4.74 inches [120.4 mm]
3.0 inches [75 mm]	5.74 inches [145.8 mm]
4.0 inches [100 mm]	6.74 inches [171.2 mm]
6.0 inches [150 mm]	8.74 inches [222.0 mm]
8.0 inches [200 mm]	10.74 inches [272.8 mm]

LRX-19-R Connections Table

Function	Cable Color
DC Power Input	Red
Ground	Black
Analog output	Green
SenSet™	White

UNLESS OTHERWISE SPECIFIED:		CONTRACT NO.	
1. DO NOT SCALE DRAWING		--	
2. DIMENSIONS ARE IN INCHES			
3. INTERPRET DIM/TOL PER ANSI Y14.5M-1994			
4. DEBURR/BREAK SHARP EDGES		DRAWN BY: G E Miller	
5. DIMS ARE BEFORE FINISH		DATE: 06-21-14	
6. (DATA) FOR REFERENCE ONLY		ENGINEER: Ed Herceg	
TOLERANCES		CHECKED BY: Ed Herceg	
DECIMAL: .XX ±.010	ANGULAR: ±.5°	DATE: 06-21-14	
XXX ±.005		QA: --	
THIRD ANGLE PROJECTION		MFG: --	
		APPROVED BY: --	

ALLIANCE SENSORS GROUP
A DIVISION OF H. G. SCHAEVITZ LLC
Moorestown, New Jersey USA alliancesensors.com

LRX-19-R Series LVIT
Outline

SIZE: B	CAGE CODE: N/A	DWG. NO.: 3000-0019-XX	REV: D
FILENAME: 3000-0019-XX_LR-19-R Series LVIT Outline	SCALE: 1:1	RELEASE DATE: --	SHEET 1 OF 1

DWG. NO. 3000-0019-XX REV D LAST 03-25-16 BY: SP

DISTRIBUTOR / DISTRIBUIDOR

Brazil and South America / Brasil e América do Sul



Address / Endereço:

Rua Sete de Setembro, 2656
13560-181 - São Carlos - SP
Brazil / Brasil

Phone / Telefone:

+55 (16) 3371-0112
+55 (16) 3372-7800

Internet:

www.metrolog.net
metrolog@metrolog.net

ALLIANCE SENSORS GROUP
A DIVISION OF H.G. SCHAEVITZ LLC

Alliance Sensors Group
102 Commerce Drive, Unit 8
Moorestown, New Jersey 08057 USA
Ph: 856-727-0250
www.alliancesensors.com
info@alliancesensors.com