

LiM-420

Current Output LVDT/RVDT OEM Signal Transmitter

SPECIFICATIONS

- Low cost OEM 4-20mA (3-wire) transmitter
- Very compact, open PC board design
- DIP switch selectable coarse gain
- Zero and span adjustment potentiometers
- 18 to 30VDC supply voltage
- -25° to +85°C operating temperature range
- Card-edge or barrier strip connections
- Works with very low input impedance LVDTs and RVDTs

FEATURES

- Low cost/high performance
- Wide operating temperature range
- Six selectable gain ranges
- 20-turn zero & gain adjustment potentiometers
- Threaded standoffs for panel/box mounting

APPLICATIONS

- Valve position feedback
- Roller gap sensing
- Paper head box position
- Coater knife gap
- Materials testing machines

The **LiM-420** is an LVDT/RVDT signal conditioning transmitter specifically designed for the OEM marketplace. Operating on an 18 to 30VDC unipolar supply voltage, the LiM-420 delivers a low noise 4 to 20mA output signal. Compatible with many 5 and 6 electrical connection LVDT and RVDT transducers (see specifications), this compact transmitter provides excellent performance on a budget. A generous excitation drive current of 20mA, allowing operation with transducer input impedances as low as 175 Ohms.

The LiM-420 is designed for easy installation, plugged into a backplane-type connector, or with individual wires connected to the screw terminal barrier strip. Measuring less than 2.5x2.5 inches, the LiM-420 may be mounted or stacked using the permanently attached threaded standoffs, or card-edge guides. All six selectable gain ranges are easily accessed via DIP switches and two multi-turn potentiometers allow for fine zero and gain adjustments.

PERFORMANCE SPECIFICATIONS

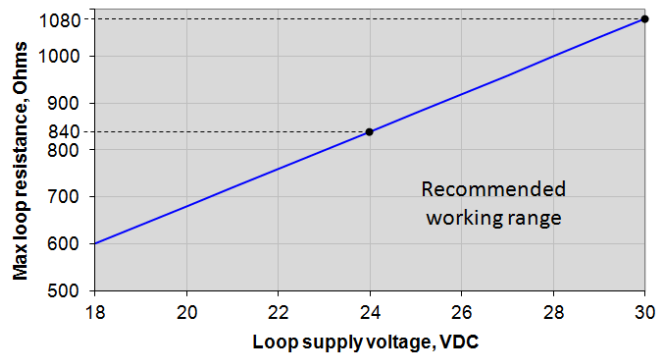
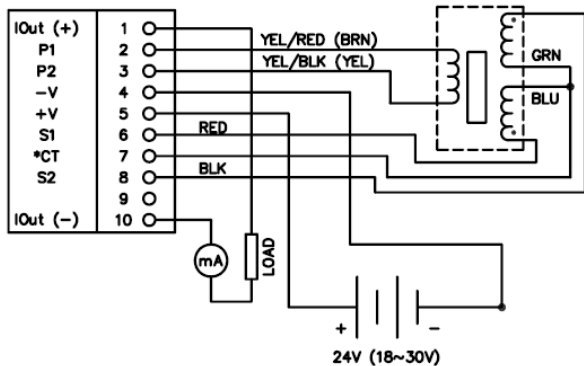
ELECTRICAL SPECIFICATIONS	
Supply voltage	18 to 30VDC (unipolar)
Supply current	50mA maximum
Output range	4 to 20mA
Temperature coefficient of output	±0.02% of FSO per °F [±0.036% of FSO per °C] over operating temperature range
Maximum loop resistance	500Ω (with 24VDC supply)
Output noise and ripple	25µA RMS maximum
Frequency response	50Hz @ -3 dB
Non-linearity	±0.05% of FSO
Stability	±0.05% of FSO maximum (after 30 minute warm-up)
Zero adjustment range	±2.5mA
Transducer excitation	
Voltage	3.5 VRMS ±10%, sine wave
Current	20mA RMS maximum
Frequency	2.5kHz
Transducer requirements	
Transducer type	LVDT or RVDT with 5 or 6 electrical connections
LVDT/RVDT input impedance	175Ω minimum
LVDT/RVDT output range	0.1 to 5.6 VRMS for 20mA full scale output
ENVIRONMENTAL AND MECHANICAL SPECIFICATIONS	
Operating temperature range	-13°F to +185°F [-25°C to 85°C]
Storage temperature range	-40°F to +257°F [-40°C to 125°C]
Gain adjustment	6 DIP switch selectable ranges; 20-turn fine adjustment potentiometer
Zero adjustment	20-turn fine adjustment potentiometer
Electrical connections	PC board edge (to backplane-type connector) or barrier terminal strip (accepts AWG 14 to 30 wire sizes)
Mounting	Use the attached threaded standoffs or card-edge guides

Notes:

All values are nominal unless otherwise noted

FSO (Full Scale Output) is the largest absolute value of the outputs measured at the range ends

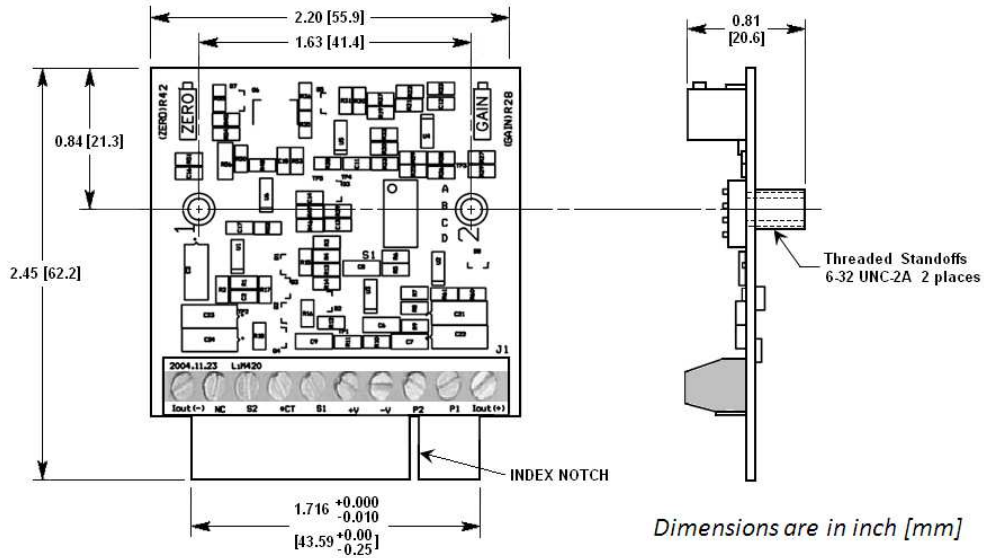
WIRING SCHEMATIC & LOOP RESISTANCE (LOAD)



LiM-420

Current Output, LVDT/RVDT OEM Signal Transmitter

DIMENSIONS



ORDERING INFORMATION

Description	Model/Comments	Part Number
LVDT/RVDT 4-20mA Output, OEM Transmitter Module	LiM-420	72290000-000
Mating Connector <i>(sold separately)</i>	CINCH 5010A-20 PCB EDGE 1	62105012-000
Cable to connect HCA/HCI/GCA/R36AS to LiM4-20 (1)	PTO6A-10-6S to Stripped & Tinned	04290417-000
Extension cable to connect LBB (option -001) to LiM4-20 (1)	PTO6A-10-6S to Stripped & Tinned	04290582-000

(1) All cables are shielded, 10 foot long, and rated 80°C [176°F]. Consult factory for other lengths.

NORTH AMERICA

Measurement Specialties, Inc.,
a TE Connectivity Company
1000 Lucas Way
Hampton, VA 23666
United States
Phone: +1-800-745-8008
Fax: +1-757-766-4297
Email: sales@meas-spec.com

EUROPE

MEAS Deutschland GmbH (Europe)
a TE Connectivity Company
Hauert 13
D-44227 Dortmund
Germany
Phone: +49-(0)231-9740-0
Fax: +49-(0)231-9740-20
Email: info.de@meas-spec.com

ASIA

Measurement Specialties (China), Ltd.,
a TE Connectivity Company
No. 26 Langshan Road
Shenzhen High-Tech Park (North)
Nanshan District, Shenzhen 518057
China
Phone: +86-755-33305088
Fax: +86-755-33305099
Email: info.cn@meas-spec.com

TE.com/sensorsolutions

Measurement Specialties, Inc., a TE Connectivity company.

Accustar, American Sensor Technologies, AST, ATEXIS, DEUTSCH, IdentiCal, TruBlue, KPSI, Krystal Bond, Microfused, UltraStable, Measurement Specialties, MEAS, Schaevitz, TE Connectivity, TE, and the TE connectivity (logo) are trademarks of the TE Connectivity Ltd. family of companies. Other logos, product and company names mentioned herein may be trademarks of their respective owners.

The information given herein, including drawings, illustrations and schematics which are intended for illustration purposes only, is believed to be reliable. However, TE Connectivity makes no warranties as to its accuracy or completeness and disclaims any liability in connection with its use. TE Connectivity's obligations shall only be as set forth in TE Connectivity's Standard Terms and Conditions of Sale for this product and in no case will TE Connectivity be liable for any incidental, indirect or consequential damages arising out of the sale, resale, use or misuse of the product. Users of TE Connectivity products should make their own evaluation to determine the suitability of each such product for the specific application.

© 2015 TE Connectivity Ltd. family of companies All Rights Reserved.

DEALER / REVENDEDOR

Brazil and South America / Brasil e América do Sul



Address / Endereço:

Rua Sete de Setembro, 2656
13560-181 - São Carlos - SP
Brazil / Brasil

Phone / Telefone:

+55 (16) 3371-0112
+55 (16) 3372-7800

Internet:

www.metrolog.net
metrolog@metrolog.net

www.metrolog.net