

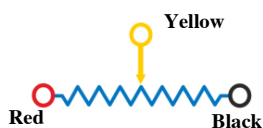


- Potentiometric Measurement
- Two-side articulated body
- Measuring distances from 10 mm to 150 mm
- High Resolution
- High life with 100 million moves
- High operating speed 5 m/s

They work as ABSOLUTE since they are potentiometric, meaning they do not lose their position in the power cuts..

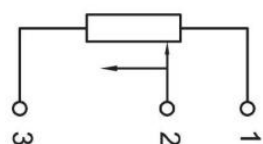
It can be used to measure linear angular movements from a double-sided articulated body. Due to the linearized conductive plastic resistance alloy and special contacts, it is not affected by abrasions and works for a long time with motion lives up to 100 million. They behave steadily with their linearity and make equal measurements.

### Connection



#### POTENTIOMETRIC OUTPUT

Red : Supply  
Yellow : Analog Output  
Black : Ground



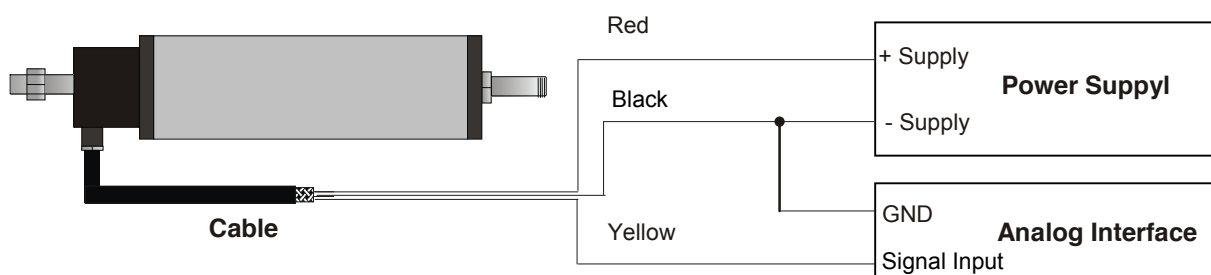
#### Potentiometer Connection

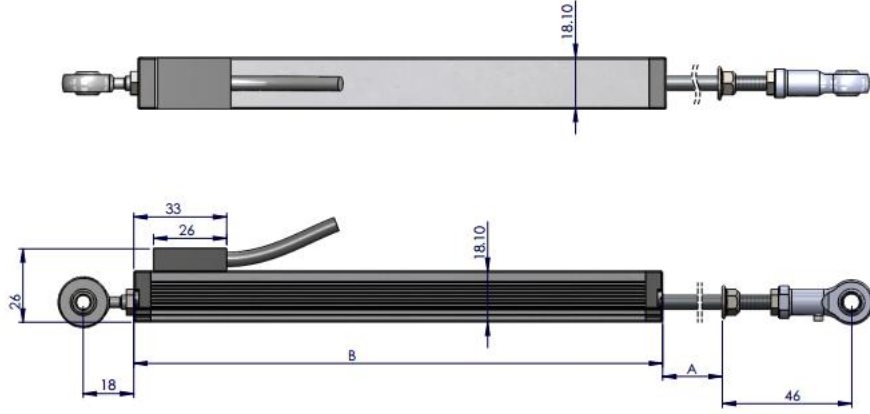
(Voltage Divider)

### Technical Specifications

|  |                                       |
|--|---------------------------------------|
| Height Options / Measuring distance (mm) | 10 – 25 – 50 – 75 – 100 – 150         |
| Resistance Element                       | Conductive Plastic                    |
| Output Signals                           | Potentiometric / Voltage Divider      |
| Independent Linearity                    | ± %0,6                                |
| Socket Connection                        | 4 pin Female Socket or Optional Cable |
| Supply                                   | Maksimum 42 VDC                       |
| Resistance                               | 5K – 10 K ±%20 (Optional Other)       |
| Operating Temperature                    | -30°C +100°C                          |
| Life                                     | 100 million Moves                     |
| Spindle Material                         | Stainless Steel                       |
| Body Material                            | Anodized Aluminum                     |

### SAMPLE APPLICATION





| Strok (mm)        | 25 | 50 | 75  | 100 | 150 |
|-------------------|----|----|-----|-----|-----|
| A                 | 27 | 52 | 77  | 102 | 152 |
| B                 | 63 | 88 | 113 | 138 | 188 |
| Electrical Stroke | 25 | 50 | 75  | 100 | 150 |
| Mechanical Stroke | 27 | 52 | 77  | 102 | 152 |

#### Order Details

#### Model No

#### Length Options / Measuring Length

Measuring sizes from 10 mm to 150 mm

L F M - 1 0 0 - 2 M

#### Cable / Socket

Blank : Standard socket (DIN43650-C)  
2M : 2 meter cable (optional)



#### ATEK SENSÖR TEKNOJİLERİ AŞ

Tuzla KOSB Organize Sanayi Bölgesi, Melek Aras Bulvarı No:67 PK:34956 Tuzla / İstanbul

Tel: +90 216 399 44 04

Faks: +90 216 399 44 02

[www.ateksensor.com](http://www.ateksensor.com)

[info@ateksensor.com](mailto:info@ateksensor.com)





**DISTRIBUTOR / DISTRIBUIDOR**  
Brazil and South America / Brasil e América do Sul



www.metrolog.net



Metrolog Controles de Medição

**Address / Endereço:**

Rua Sete de Setembro, 2656  
13560-181 - São Carlos - SP  
Brazil / Brasil

**Phone / Telefone:**

+55 (16) 3371-0112  
+55 (16) 3372-7800

**Internet:**

www.metrolog.net  
metrolog@metrolog.net

Atek Sensor Technology A.S.



Tuzla Kimya Sanayicileri Org. San. Bolg. Melek Aras Bulvari, No:67 34956 Tuzla-Istanbul / TURKEY  
Tel: +90 216 399 44 04 Fax: +90 216 399 44 02  
[www.ateksensor.com](http://www.ateksensor.com) [info@ateksensor.com](mailto:info@ateksensor.com)