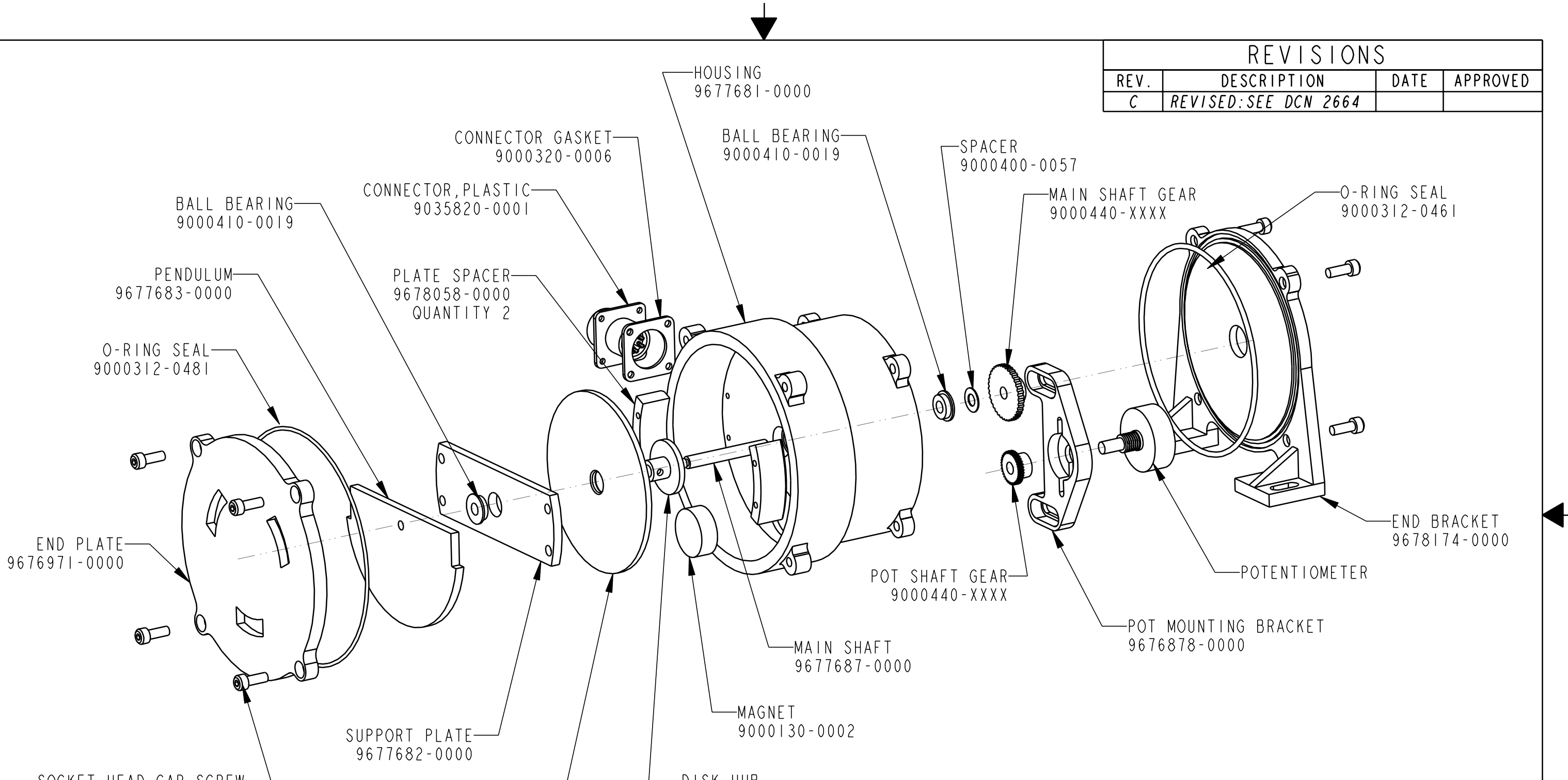


REVISIONS			
REV.	DESCRIPTION	DATE	APPROVED
C	REVISED: SEE DCN 2664		



NOTES: UNLESS OTHERWISE NOTED.

DIMENSIONS AND TOLERANCES PER ANSI Y14.5 UNLESS OTHERWISE SPECIFIED, DIMENSIONS ARE IN INCHES, TOLERANCES ARE: DECIMALS:    ANGLES: X.° ± 5.0° XX ± .03    X.X° ± 1.0° XXX ± .010 X.XX° ± 0.5°	<b>THIRD ANGLE PROJECTION</b> 		<b>CeleSCO</b> 7800 Deering Ave., Canoga Park, CA. 91304 TEL:(818)884-6860 Fax:(818)340-1175 Transducer Products, Inc.	
	APPROVALS DRAWN <i>M. KRATOFIL</i> 09/16/98 CHKD	DATE 09/16/98	TITLE <b>INCLINOMETER ASSEMBLY</b>	
DO NOT SCALE DRAWING		SIZE <b>B</b>	CODE IDENT. NO. <b>52158</b>	DWG. NO. <b>621044</b>
		SCALE: <b>NONE</b>	SHEET <b>1</b> OF <b>1</b>	REV. <b>C</b>