

## ICA1 & ICA2 S and H Versions Strain Gauge or Load Cell Embedded Analogue Amplifier

*User Manual*  
mantracourt.com

**ME** mantracourt

# ICA1 and ICA2 S and H Versions Manual

## Contents

Introduction to the ICAS and ICAH Range of In-Cell Amplifiers .....	2
Chapter 1 The ICAS and H Range .....	3
Figure 1.1 Block Diagram .....	3
Chapter 2 Installing the ICA1 and ICA2 S and H .....	4
Pre Installation .....	4
Figure 2.1 Dimensions .....	4
Power Connections .....	4
Figure 2.2 Connection Details for the ICA1 and ICA2 .....	5
Figure 2.3 Connection Details for Best EMC Immunity .....	5
Table 2.1 .....	6
Output Connections .....	6
Chapter 3: Calculating the gain resistor value .....	7
Table 3.1 ICA1 (0.1V to 10.1V) .....	7
Table 3.2 ICA2 (0.1V to 5.1V) .....	7
Table 3.3 ICA1 and 2 Offset Resistor .....	7
Chapter 4 Calibration .....	8
Figure 4.1 Connection Details for Calibration .....	8
Chapter 5 Trouble Shooting .....	9
Chapter 6 Product Care.....	10
Chapter 7 Glossary.....	11
Chapter 8 Specifications for the ICA1 and ICA2 S and H .....	13
Table 8.1 ICA1S and ICA1H (0.1 to 10.1V) .....	13
Electrical and Environmental .....	13
Measurement .....	13
Table 8.2 ICA2S and ICA2H (0.1 to 5.1V) .....	14
Environmental .....	14
Measurement .....	14
CE Approvals .....	14
Other Mantracourt Products .....	15

# ***Introduction to the ICAS and ICAH Range of In-Cell Amplifiers***

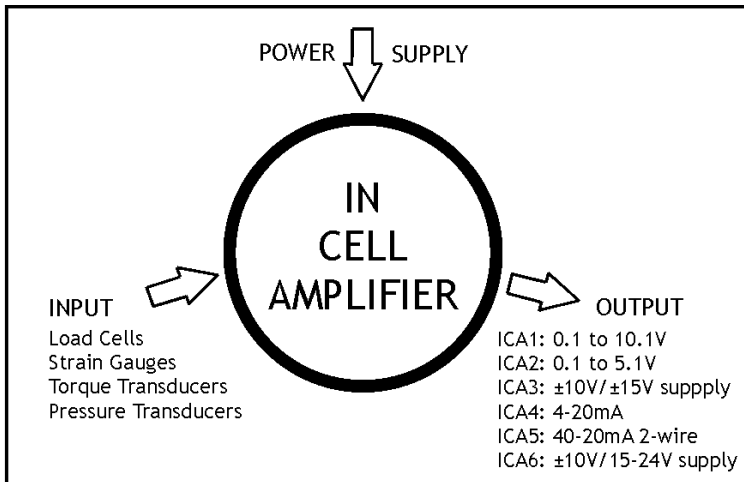
Two new families, the ICAS (industrial stability) and ICAH (high stability) have been introduced into the Mantracourt range of In-Cell Amplifiers. They offer improved performance and easier installation over the original designs.

The following points detail the main changes:

- The ICA1 and ICA2 output ranges have been changed to cover 0.1V to 10.1V and 0.1V to 5.1V respectively to facilitate calibration and interpretation of the output level.  
The linearity has been improved at the lower end of the scale (down to 70mV output).
- Excitation is standardised at 5V DC on the ICA1,2,3,4 and 6.
- The performance of the ICA family has been much improved over the operating temperature range by using high performance, auto-zero amplifiers and low drift resistors.  
The standard ('S') versions give a 200% improvement compared to the earlier versions.  
The high performance ('H') versions are fitted with higher-specification resistors to offer a 400% improvement over the earlier versions.
- The user-selectable span resistor is mounted via two standard plated through holes in the printed circuit board making it easier to change if required.  
There is also provision for a second resistor (not normally fitted) to give an offset zero if required for example, 5.1V  $\pm$ 5V for an ICA1.  
Refer to chapter 3 for calculating the values or Rgain and Roffs
- All wire connections are via plated through holes instead of the single-sided pads used in the original design. This allows all wires to enter from either side of the board resulting easier installation and improved joint reliability.
- Multi-layer printed circuit boards and additional filtering has been added to further improve the EMC performance.
- Faster and easier mounting/installation: The mounting hole size and position has been standardised on all models and also provides the capacitive-coupling connection to the sensor body which further improves the EMC performance.  
The hole will accommodate a 2mm (#0-80) screw with adequate clearance for the head.  
As this mounting method is compatible with our range of 'D-Cell' products, a single pocket design will accept either digital or analogue conditioners.
- An ATEX (Intrinsic Safety) certified version of the ICA5 has been introduced.
- All variants are RoHS compliant.
- All models have a reduced height of just 7.6mm. The diameter remains at 19.5mm.
- A new model, the ICA6 has been introduced which will provide a  $\pm$ 10 Volt output from a uni-polar 15 to 28V supply.
- Non-interaction between the trimmers makes calibration easier and faster.

# Chapter 1 The ICAS and H Range

Figure 1.1 Block Diagram



The ICA is a Strain Gauge Amplifier, converting a strain gauge input to a Volt or mA output - otherwise known as a Signal Conditioner.

The ICA provides a wide range of signal conditioning for Strain Gauges, Load Cells, Pressure and Torque Transducers.

Offered in 6 versions and two performance categories, ICAS and ICAH. The ICAH offers lower drift over the operating temperature range.

- ICA1 - 3 wire - 0.1 to 10.1V
- ICA2 - 3 wire - 0.1 to 5.1V
- ICA3 - 4 wire -  $\pm 10V / \pm 15V$  supply
- ICA4 - 3 wire - 4 to 20mA
- ICA5 - 2 wire - 4 to 20mA
- ICA6 - 3 wire -  $\pm 10V / 15-24V$  supply

This manual only deals with Versions ICA1 and ICA2 S and H, separate manuals exist for versions ICA3 and 6, ICA4 and ICA5.

Transducer **SENSITIVITY** of between 0.5 mV/V and 150mV/V are possible. It is optimised to 2.5 mV/V. This range covers most - but not all - strain gauges.

Sensitivity adjustment is achieved by a combination of gain (span) resistor 'R' change and associated *fine adjustment* by potentiometer.

Similarly transducer **ZERO** can be compensated for in the module. This adjustment is to compensate for slight errors in the strain gauge and not to offset tare.

Mantracourt's SGA (Strain Gauge Amplifier) covers a range from 0.06 mV/V to 30mV/V and it's 79% offset can provide tare compensation.

# Chapter 2 Installing the ICA1 and ICA2 S and H

## Pre Installation

See Specification details in Chapter 8 for details of Environmental Approvals.

Carefully remove the ICA unit from its shipment box. Check that the unit is complete and undamaged.

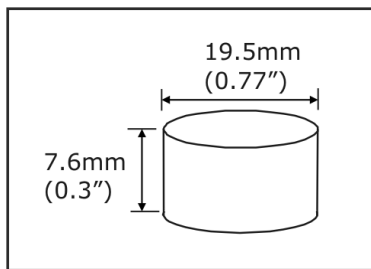
The ICA units can be operated in any industrial environment providing the following limits are not exceeded.

Operating Temperature	-40°C to +85°C
Humidity	95% non condensing
Storage temperature	-40°C to +85°C

The following installation practices are advised:

- Minimise vibration
- Do not mount next to strong electrical fields (transformers, power cables)
- Ensure easy access to the module
- Install electrical protection device as the unit is not internally fused
- Always ensure the package is secure and protected

**Figure 2.1 Dimensions**



The module is designed to fit in the strain gauge pocket. Use the 2.1mm hole to secure the unit if required. The mounting hole will accept an M2 screw or American equivalent #0-80. Important Note: DO NOT USE #2 screw size.

Take care soldering cables to the pads.

Use a temperature controlled soldering iron set to a maximum 330 °C, for no longer than 2 seconds per pad. Excessive heat or increased soldering time may result in damage to the PCB.

**If changing resistor 'R' do so at a workbench and not on site.**

Check the relevant details for model ICA1 and 2, - ensure the module matches the instructions -

The ICA1 and 2 solder pads are as shown in the wiring diagrams:

4 pads for the strain gauge.

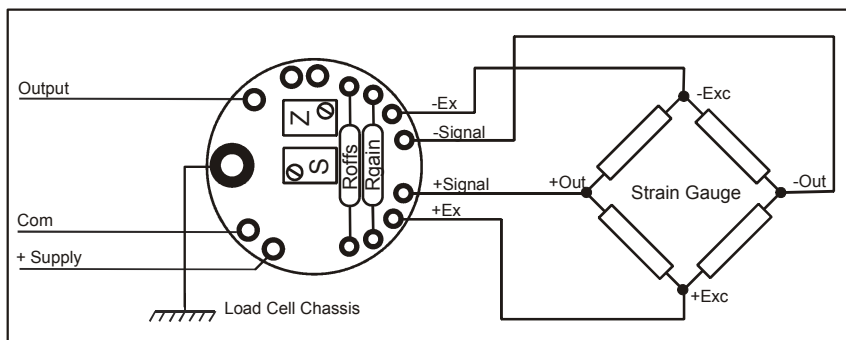
3 pads for power supply and output.

The fixing screw hole provides a ground connection to improve EMC performance.

## Power Connections

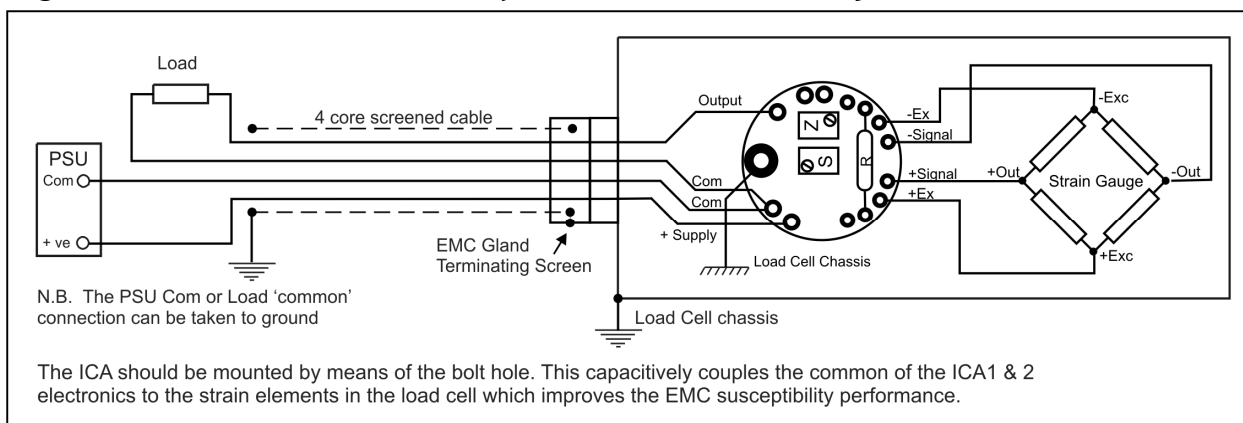
The power supply for the ICA1 is nominally 24V dc (between 13 and 28V) and ICA2 is nominally 12V dc (between 8.5 and 28V). The power supply is commoned with the output at the 'com' connection.

**Figure 2.2 Connection Details for the ICA1 and ICA2**



The strain gauge cable should be attached to the solder pads as illustrated. For most applications 3 wire un-shielded field wiring is quite adequate. For best EMC performance use the connections shown in Figure 2.3

**Figure 2.3 Connection Details for Best EMC Immunity**



Take note of the grounding arrangement particularly the bolt hole which capacitively couples the common of the ICA electronics to the strain elements in the load cell which improves the EMC performance.

## Table 2.1

This typical cable data is provided for information only.

The cable should have 2 x twin twisted cables. Ideally each pair should be individually shielded and with an overall shield.

Country	Supplier	Part No	Description
UK	Farnell	118-2117	Individually shielded twisted multipair cable (7/0.25mm)- 2 pair Tinned copper drain. Individually shielded in polyester tape. Diameter: 4.1mm Capacitance/m: core to core 115 pF & core to shield 203 pF
UK	Farnell	585-646	Individually shielded twisted multipair cable (7/0.25mm)- 3 pair Tinned copper drain. Individually shielded in polyester tape. Diameter: 8.1mm Capacitance/m: core to core 98 pF & core to shield 180 pF
UK	RS	626-4761	Braided shielded twisted multipair cable (7/0.2mm)- 1 pair Miniature- twin -round Diameter: 5.2 mm Capacitance/m: core to core 230 pF & core to shield 215 pF

If possible segregate the signal cable from Power Cables; allow a 1metre (3 feet) distance from such cables.

Do not run signal cables in parallel with power cables and cross such cables at right angles.

The ground connection conductor should have sufficient cross-sectional area to ensure a low impedance path to attenuate RF interference.

## Output Connections

The ICA1 S and H versions provide a 0.1 to 10.1V dc output, while the ICA2 S and H versions provide a 0.1 to 5.1V dc output.

While they utilize the same PCB they have different components on board.

Connect the output as shown in Figure 2.2 or alternatively Figure 2.3

## Chapter 3: Calculating the gain resistor value

The ICA1 and 2 are supplied un-calibrated but optimized for a sensitivity of 2.5mV/V. To accommodate other sensitivities the gain resistor 'Rgain' shown in Figure 2.2, can be changed according to the following formula. N.B. a high quality component e.g. 1% 25 ppm metal film resistor should be used for optimum performance (the 'H' versions should use 10-15 ppm metal film devices). It may be necessary to use a value from the less common E96 series to optimise the trim range:-

**Table 3.1 ICA1 (0.1V to 10.1V)**

Gain	=	$\frac{372}{(\text{required mV/V})}$	Rgain	=	$\frac{40,000}{(\text{Gain}-1)}$ Ohms
e.g. 1	For 2.5 mV/V (Factory setting):-	Gain = 149 x	R= 270 Ohms	(Use preferred value 270R)	
e.g. 2	For 0.5 mV/V	Gain = 744 x	R= 53.8 Ohms	(Use preferred value 53.6R - E96 series)	

**Table 3.2 ICA2 (0.1V to 5.1V)**

Gain	=	$\frac{186}{(\text{required mV/V})}$	Rgain	=	$\frac{40,000}{(\text{Gain}-1)}$ Ohms
e.g. 1	For 2.5 mV/V (Factory setting):-	Gain = 74.4 x	R= 545 Ohms	(Use preferred value 549R - E96 series)	
e.g. 3	For 5.0 mV/V	Gain = 37.2 x	R= 1105 Ohms	(Use preferred value 1K1)	

**Table 3.3 ICA1 and 2 Offset Resistor**

The ICA1 and 2 can be used in a pseudo 'bipolar' mode by fitting a resistor 'Roffs' as shown in Figure 2.2. This will shift the output voltage to a known level (Voffs) when the input is zero (0mV/V) allowing both tension and compression of the load cell to be measured.

Use the following formula for the ICA1 and 2 to calculate the value of Roffs in k Ohms:

$$\text{Roffs} = \frac{148k}{(\text{Voffs} - 0.1)}$$

e.g. for 2.5V offset (bipolar ICA2)

$$\text{Roffs} = \frac{148k}{(2.5 - 0.1)} = \frac{148k}{2.4} = 61.7k \text{ Ohms (Use preferred value 61.9k - E96 series)}$$

e.g. for 5.0V offset (bipolar ICA1)

$$\text{Roffs} = \frac{148k}{(5.0 - 0.1)} = \frac{148k}{4.9} = 30.2k \text{ Ohms (Use preferred value 30k)}$$

The gain of the ICA will need to be reduced to account for the lower output swing required for a given input change. For the ICA1, re-calculate Rgain by scaling the load cell's mV/V by the ratio 10V/(bipolar output change) and 5V/(bipolar output change) for the ICA2 and use the above formulae.

For example, an ICA2 is required to operate at 2.5V ±2.4V for a ± 2.5mV/V input:

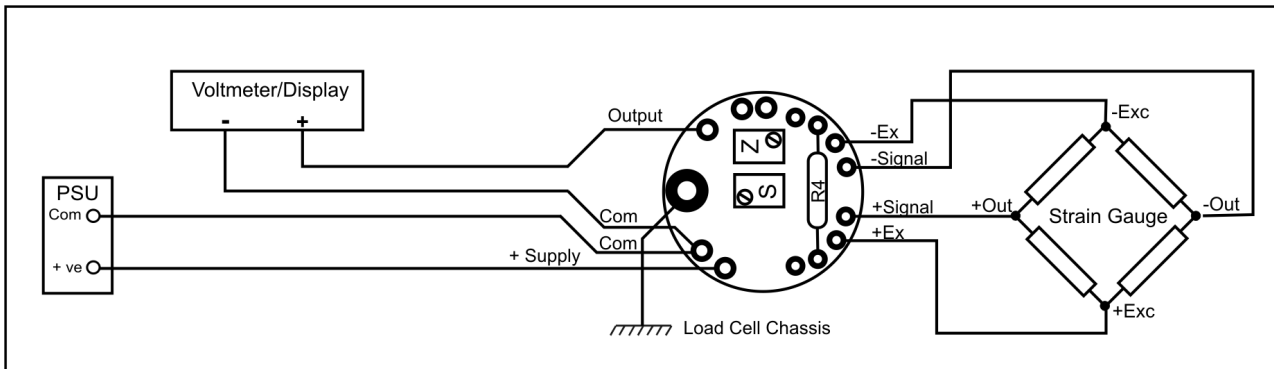
Fit Roffs = 61.7k (as above) and re-calculate Rgain from Table 3.2 using (5V/2.4V) x 2.5mV/V = 5.208mV/V i.e. Gain = 35.71 therefore Rgain = 1152 Ohms. the nearest preferred value is 1k15 (E96 series)



## Chapter 4 Calibration

The ICA1 and ICA2 S and H versions can be calibrated with the transducer connected provided that two calibration points can be implemented e.g. by applying known weights or forces. If this is not possible, a stable mV source or load cell simulator can be used if the precise sensitivity (mV/V) of the transducer is known.

**Figure 4.1 Connection Details for Calibration**



1. Apply the known **low** calibration conditions (weight, force or mV/V). This may be zero if required, and set the output to 0.1V using the 'Z' potentiometer.
2. Apply the known **high** calibration conditions (ideally between 75% and full scale) and adjust the 'S' potentiometer to give an output of 10.1V for the ICA1 and 5.1V for the ICA2.
3. Apply the known **low** calibration conditions and re-adjust the Zero if required.

# Chapter 5 Trouble Shooting

## 1. No Output

- a) Check power supply is present and the correct polarity
- b) Check the output connections are correct with no open circuit connections
- c) Check terminations (ensure there are no dry joints)
- d) Check the sensor is connected (typically reading 350 Ohm across output + & -) with the power off
- e) Check the Excitation voltage is correct
- f) Check the load is connected and is not open or short circuited
- g) Check Span and Gain calibration

## 2. Low Output

This is when an output is present but not of sufficient magnitude to meet the required value. Remember to allow for Tare Weight and ensure it is measured and allowed for in the output from the ICA.

- a) Check power supply is within specified limits (i.e. is not low)
- b) Check the sensor is connected (typically reading 350 Ohm across output + & -) with the power off.
- c) Check the Excitation voltage is at 5V dc
- d) Check the calibration
- e) Check the Zero (offset) is correct for the sensor, this too is a common reason for low outputs

## 3. High Output

This is when an output is present but higher (in span or zero) than expected.

High output is not normally a problem. It is most likely to be incorrect connections and as such the output would be high and fixed

- a) Check the sensor is connected (typically reading 350 Ohm across output + & -) with the power off
- b) Check the Excitation voltage is at 5V dc
- c) Check the Zero (offset)
- d) Check the calibration.

## 4. Unstable Output

This is when the output is unstable or varies. The cause could be (a) poor installation or (b) a noisy environment.

**Poor Installation** - This is when an output is present but higher or lower (in span or zero) than expected:

- a) Check the installation for problems and repair where necessary
- b) Poor termination
- c) High resistance on cable leads
- d) Low insulation impedance
- e) Proximity to High Voltage Equipment - Transformers, Contactors, Motors etc.

**Noisy Environment-**

- a) Check if the source can be found and remove noise
- b) Check the cable shielding and ensure it is correctly installed and terminated.

## 5. Calibration

This section assumes that the unit is providing an output that is not stuck at top or bottom of the scale.

(See paragraphs 1-3 if this is the case)

Ensure you are connected to the correct sensor and not to another adjacent unit.

Ensure you have the correct calibration data from the sensor manufacturer. This must include a certified table with offset, zero and linearity.

Ensure you have the calibration set-up correctly installed i.e. mV source and output as required.

Ensure the temperature and other environmental parameters are within specification and where necessary taken into account when calibrating should such parameters have an effect on the calibration.

## 6. Fine Span (Gain) and Zero (Offset) Adjustment Problems

If the adjustment cannot reach the maximum output desired then, check the tare is not too high.

If the potentiometer does not alter the output the unit must be repaired - remove from service.

It is always wise to check a known good ICA against the problem installation before rejecting the suspect ICA.

## **Chapter 6 Product Care**

A worn out component, excessive use in harsh environments, an overly zealous operator; regrettably some circumstances necessitate repair.

At Mantracourt Electronics Ltd we can't guarantee that a product will never require repairing. We can, however, promise a repair service of exceptional quality, one which is governed by a rigorous procedure.

Detailed below is our pledge to you: a defined set of ground rules and procedures to which we will adhere. All we ask in return is that you assist us with our procedure, such that we can maintain our promise to you. Please note that warranty repairs may not be available on overdue accounts, and that a strict interpretation of our conditions of trading invalidates warranty claims where late payment has occurred.

Please refer to 'Customer Repair Service Procedure' document - contact your distributor for a copy.

In the unlikely event you have problems with the ICA module we would advise that you take the following precautions:-

- The unit is installed as instructed.
- Recommended spares are kept in stock. We can assist.
- Sufficient expertise available for first line maintenance.
- Routine maintenance checks are performed - annually is recommended.
- The necessary documentation for the product is available to the maintenance personnel.

**We recommend you keep on file - as a minimum**

- This Manual
- The calibration figures for the attached sensors
- A record of the 'normal' output - if applicable
- A calibration record of the ICA
- A contact phone number from the supplier for assistance

## Chapter 7 Glossary

AWG	American Wire Gauge.
Background Noise	The total noise floor from all sources of interference in a measurement system, independent of the presence of a data signal. (See Noise)
Bipolar	The ability of a signal conditioner to display both positive and negative readings.
Bridge Resistance	The resistance measured across the excitation terminals of a Strain Gauge.
Calibration	Adjustment of an instrument or compiling a deviation chart so that it's reading can be correlated to the actual value being measured.
CMR (Common-Mode Rejection)	The ability of an instrument to eliminate the effect of AC or DC noise between signal and ground. Normally expressed in dB at DC to 60 Hz. One type of CMR is specified between SIG LO and PWR GND. In differential meters, a second type of CMR is specified between SIG LO and ANA GND (METER GND).
Common Mode Rejection Ratio	The ability of an instrument to reject interference from a common voltage at its input terminals with relation to ground. Usually expressed in db (decibels).
Drift	Change of a reading/set point value over periods due to several factors including change in ambient temperature, time and line voltage.
Excitation	The external application of electrical voltage current applied to a transducer for normal operation.
Fine Adjustment	Zero and Span calibration have a Fine Adjustment to give accuracy to the calibration. These are potentiometers P1 and P2 for Span and Zero respectively.
Full Bridge	A Wheatstone Bridge configuration utilizing four active elements or Strain Gauges.
Full Range Output	The algebraic difference between the minimum output and maximum output.
Gain	Gain is otherwise identified as SPAN. It relates to the proportional output to the sensor input. Calibration of the ICA is determined by setting the Gain (Span) and Offset (Zero). The amount of amplification used in an electrical circuit.
Ground	The electrical neutral line having the same potential as the surrounding ground.
Linearity	The closeness of a calibration curve to a specified straight line. Linearity is expressed as the maximum deviation of any calibration point on a specified straight line during any one calibration cycle.
Load	The electrical demand of a process expressed as power (watts), current (amps) or resistance (ohms).
Load Impedance	The impedance presented to the output terminals of a transducer by the associated external circuitry.
Load Cell	The load cell is one of a series of STRAIN GAUGE sensors that the ICA input is designed to accept. (Torque Sensor, Pressure & temperature transducers).
Millivolt	One thousandth of a volt, $10^{-3}$ volts symbol mV.
Noise	An unwanted electrical interference on the signal wires.
Null	A condition, such as balance, which results in a minimum absolute value of output.
Offset	Offset is otherwise identified as ZERO. Calibration of the ICA is determined by setting the Offset (Zero) and Gain (Span).
Potentiometer	Two potentiometers (variable resistors) are used in the ICA1 & 2 for fine calibration.
Pressure Transducer	The Pressure Transducer is one of a series of Strain Gauge sensors that the ICA input is designed to accept. (Torque Sensor, Load Cell and Temperature Transducers).
Proportional Outputs	The Voltage or Current outputs are calibrated to be directly proportional to the input from the sensor. The output is, within the sensor limits, taken as linear and no linearity compensation is required within the ICA.

Resolution	The input corresponding to a one-unit change in the least significant digit of the data acquisition/display equipment. (Good resolution is not necessarily equal to good accuracy.)
Sensing Element	That part of the Transducer, which reacts directly in response to the input.
Sensitivity	This is the relationship between the change in Strain Gauge input to the level or magnitude of the output.
Signal Conditioner	A circuit module that offsets attenuates, amplifies linearizes and/or filters the signal. The ICA is essentially a Signal Conditioner -more specifically known as a Strain Gauge Amplifier - in that it CONDITIONS (alters) the input signal from a load cell to an electrical output.
Single Card Assembly	The ICA has only the one Printed Circuit Board assembly on which all the components are mounted. The assembly is then mounted inside an environmentally rugged enclosure.
Span	Span is otherwise identified as GAIN. It relates to the proportional output to the sensor input. Calibration of the ICA is determined by setting the Span (Gain) and Zero (Offset).
Span Adjustment	The ability to adjust the gain of a process or strain meter so that a specified display span in engineering units corresponds to a specified signal span.
Stability	The quality of an instrument or sensor to maintain a consistent output when a constant input is applied.
Strain Gauge	The Strain Gauge is a resistance bridge device where the bridge value alters linearly and proportionally to the force exerted on it - be it pressure, torque or load. The ICA is designed to convert this change in the of the Strain Gauge to a proportional electrical signal.
Strain Gauge Amplifier	The ICA is essentially a type of Signal Conditioner that it conditions (alters) the input signal from a strain gauge to an electrical output
Torque Transducer	The Torque Transducer is one of a series of Strain Gauge sensors that the ICA input is designed to accept.
Wheatstone Bridge	A network of four resistance's, an emf source, and a galvanometer connected such that when the four resistance's are matched, the galvanometer will show a zero deflection or "null" reading.
Zero	Zero is otherwise identified as OFFSET. It relates to the proportional output to the sensor input. Calibration of the ICA is determined by setting the Span (Gain) and Zero (Offset).
Zero Adjustment	The ability to adjust the display of a process or strain meter so that zero on the display corresponds to a non-zero signal.
Zero Offset	The difference between true Zero and an indication given by a measuring instrument. See Zero Suppression.
Zero Suppression	The Span is Offset from Zero (Zero Suppressed) such that neither limit of the Span will be Zero. For example, an instrument which measures a load of a 100kg Span from 400kg to 500kg is said to have 400kg Zero Suppression.
Units	
AC	Alternating Current
DC	Direct Current
Hz	Hertz (Frequency)
kHz	kilohertz (Frequency)
mA	milliamps
mm	millimetres
SC	Signal Conditioner
ICA	Strain Gauge Amplifier
V	Volts
mV	millivolt

## Chapter 8 Specifications for the ICA1 and ICA2 S and H

**Table 8.1 ICA1S and ICA1H (0.1 to 10.1V)**

### Electrical and Environmental

Parameter	Minimum	Typical	Maximum	Units	Notes
Supply voltage Range	13	24	30	Volts	
Operating Current	-	8	-	mA	Note 1
Operating Temperature Range	-40	-	85	Deg C	
Storage Temperature Range	-40	-	85	Deg C	
Reverse polarity Protection	-30	-	-	Volts	

Note 1: Not including excitation current.

e.g. when connected to a 350 Ohm load cell, excitation current =  $5/350 = 14\text{mA}$

Total current = 22mA

### Measurement

Parameter	Minimum	Typical	Maximum	Units	Notes
Bridge Excitation	4.90	5	5.10	Volts	
Bridge Impedance	350	1000	5000	Ohms	
Bridge Sensitivity	0.5	2.5	150	mV/V	Note 1
Output load	5000	-	-	Ohms	
Bandwidth	DC	-	1000	Hz	
'Zero' adjustment	-	±2	-	%FR	
'Span' adjustment	-	±8	-	%FR	
Linearity	-	0.02	-	%FR	
Temperature stability					
'Zero' Temperature Stability ('S' Version)	-	0.0009	0.0025	±%FR/Deg C	At 2.5mV/V
'Span' Temperature Stability ('S' Version)	-	0.0025	0.0064	±%FR/Deg C	At 2.5mV/V
'Zero' Temperature Stability ('H' Version)	-	0.0004	0.0015	±%FR/Deg C	At 2.5mV/V
'Span' Temperature Stability ('H' Version)	-	0.002	0.0051	±%FR/Deg C	At 2.5mV/V

FR=Full Range (10V)

Note 1: Set by calibration resistor

**Table 8.2 ICA2S and ICA2H (0.1 to 5.1V)**

**Environmental**

Parameter	Minimum	Typical	Maximum	Units	Notes
Supply voltage Range	8.5	12	28	Volts	
Operating Current	-	8	-	mA	Note 1
Operating Temperature Range	-40	-	85	Deg C	
Storage Temperature Range	-40	-	85	Deg C	
Reverse polarity Protection	-30	-	-	Volts	

Note 1: Not including excitation current.

e.g. when connected to a 350 Ohm load cell, excitation current =  $5/350 = 14\text{mA}$

Total current = 22mA

**Measurement**

Parameter	Minimum	Typical	Maximum	Units	Notes
Bridge Excitation	4.90	5	5.10	Volts	
Bridge Impedance	350	1000	5000	Ohms	
Bridge Sensitivity	0.5	2.5	150	mV/V	Note 1
Output load	5000	-	-	Ohms	
Bandwidth	DC	-	1000	Hz	
'Zero' adjustment	-	±2	-	%FR	
'Span' adjustment	-	±8	-	%FR	
Linearity	-	0.02	-	%FR	
<b>Temperature stability</b>					
'Zero' Temperature Stability ('S' Version)	-	0.0009	0.0025	±%FR/Deg C	At 2.5mV/V
'Span' Temperature Stability ('S' Version)	-	0.0025	0.0064	±%FR/Deg C	At 2.5mV/V
'Zero' Temperature Stability ('H' Version)	-	0.0004	0.0015	±%FR/Deg C	At 2.5mV/V
'Span' Temperature Stability ('H' Version)	-	0.002	0.0051	±%FR/Deg C	At 2.5mV/V

FR=Full Range (5V)

Note 1: Set by calibration resistor

**CE Approvals**

European EMC Directive

2004/108/EC


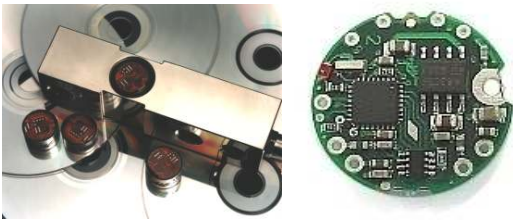
BS EN 61326-1:2006

BS EN 61326-2-3:2006

## Other Mantracourt Products

mantracourt.com

### Signal Conditioning

<p><b>SGA</b> STRAIN GAUGE AMPLIFIER</p> <ul style="list-style-type: none"> <li>• Connect up to 4 strain gauges</li> <li>• Proportional mA and/or Voltage output</li> <li>• Simple DIL switch configuration</li> <li>• Set Sensitivity and Low pass filter and output</li> <li>• Simple - Reliable - Rugged</li> </ul>	<p><b>RCA15</b> RACK MOUNTED INTELLIGENT STRAIN GAUGE AMPLIFIER</p> <p>Complete MULTI-CHANNEL system for Strain gauges.</p> <ul style="list-style-type: none"> <li>• Relay and/or serial outputs per channel</li> <li>• Multidrop serial link</li> <li>• 19" Eurorack x 3U high.</li> <li>• Capability similar to the ADW 15.</li> <li>• High integrity / compact Data acquisition unit</li> </ul>
<p><b>LCA</b> IN-LINE INTELLIGENT STRAIN GAUGE AMPLIFIER</p> <ul style="list-style-type: none"> <li>• 2 Set Points</li> <li>• 4 to 20 mA AND 0 to 10 V (isolated) outputs</li> <li>• RS 232/485 Communications port</li> <li>• On-Board easy to use Programmer</li> <li>• Auto tare-Auto calibrate-and much more.....</li> </ul>	<p><b>ADW15 Mantraweigh</b> 72 mm DIN Module - Display &amp; Controller</p> <ul style="list-style-type: none"> <li>• 10 mm LED Display (Configurable)</li> <li>• Sensitivity from 0.5 mV to 200 mV/V</li> <li>• 10 V @150 mA Excitation</li> <li>• Isolated I/O100mSec sample rate</li> <li>• Set Point Relays</li> <li>• 4 to 20 mA Output</li> <li>• Programmable via keypad</li> </ul>
<p><b>FIELDBUS CONNECTIVITY IN TWO EXCELLENT PACKAGES</b></p>	
<p><b>DSC The Digital Strain Card</b></p>	<p><b>'D'Cell The 'in-cell' Digital Strain Puck</b></p>
	
<p><b>Mount this package adjacent to the strain gauge</b> <b>Plug-in-and-go-sensor</b></p>	<p><b>Mount this package directly into the strain gauge pocket</b> <b>High accuracy</b></p>
<p>Integrate the electronics with the loadcell, remove the cost, space and bother of additional electronics and have a direct output provided in REAL ENGINEERING UNITS.</p>	<p>A quantum leap in the quality of measurement.</p>
	<p>Accuracy (1 part in half a million) Temperature compensated Unwanted Signal noise filter Sensor specific calibration Elimination of induced noise on signals</p>



In the interests of continued product development, Mantracourt Electronics Limited reserves the right to alter product specifications without prior notice.



## Distribuidor

**Brasil e América do Sul**

### CONTATO

#### Endereço

Rua Sete de Setembro, 2656 - Centro  
13560-181 - São Carlos - SP - Brasil

#### Telefone

+ 55 (16) 3371-0112  
+ 55 (16) 3372-7800

#### Internet

[www.metrolog.net](http://www.metrolog.net)  
[metrolog@metrolog.net](mailto:metrolog@metrolog.net)

