



## GENERAL FEATURES

- 345°, 350° or 355° electrical angle
- 6 mm or 6,34 mm shaft diameter
- 50.8 mm body diameter
- Potentiometric, 0-10V, 4-20 mA or 0-20mA output
- High linearity up to  $\pm 0.5\%$
- Long life up to 5 million movements
- Resolution better than  $0,1^\circ$
- IP40 protection class
- No mechanical rotation limitation

## APPLICATION FIELDS

- Textile machinery
- Automatic door control systems
- Automotive
- All kinds of control and measurement applications

## TECHNICAL FEATURES

### Electrical Data

Electrical Angle	345°, 350° or 355°
Independent Linearity	$\pm 0.5\%$
Repeatability	0.1° max.
Resistance Values	1K, 5K, 10K
Resistance Tolerance	$\pm 20\%$
Resistance Element	Resistive carbon
Output Type	Potentiometric, 0-10V, 4-10 mA, 0-20 mA
Supply Voltage	For potentiometric output model: 42V max. For voltage or current output model: 12...30 VDC
Recommended Wiper Current	100 $\mu$ A max.
Minimum Life (electrical)	10 million movements
Electrical Connection	3x0,102 mm <sup>2</sup> soft PVC cable (standard 1m, optional others)

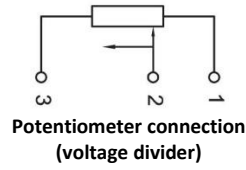
### Mechanical Data

Dimensions	See mechanical dimensions table
Size	Servo size 20
Mounting	With 3 clamps
Mechanical Angle	360°, continuous
Torque	0.5 Ncm max.
Maximum Operational Speed	1000 RPM
Minimum Life (mechanical)	5 million movements
Body Material	Aluminum
Shaft Material	Stainless Steel
Operating Temperature	-25°C ... +75°C
Storage Temperature	-25°C ... +105°C
Protection Class	IP40
Weight (with 1 m cable)	80 gr

## ELECTRICAL CONNECTIONS

### Potentiometer Connection

SIGNAL	CABLE COLOR
+V	Green (1)
Potentiometric output	Red (2)
-V	Yellow (3)



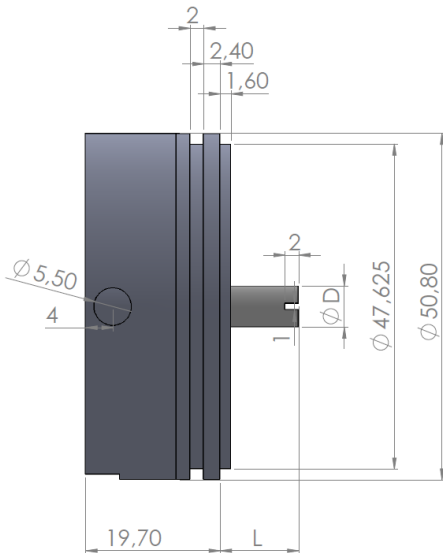
### 0-10V Connection

SIGNAL	CABLE COLOR
+VDC	Green
Analog Output	Red
-VDC	Yellow

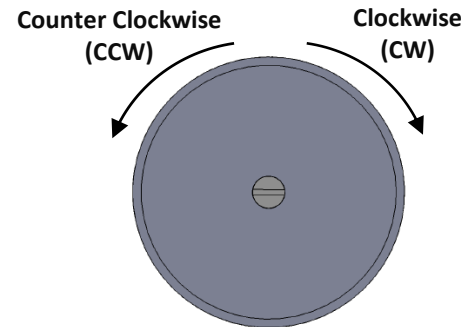
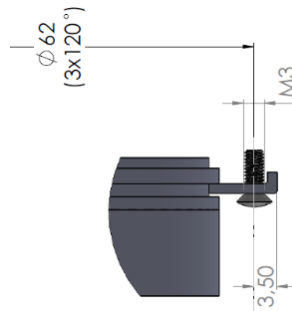
### 4-20mA or 0-20 mA Connection

SIGNAL	CABLE COLOR
+VDC	Red
Analog Output	Green
	Yellow

## MECHANICAL DIMENSIONS (mm)



∅D (mm)	6	6,34
L (mm)	11,50	15,90



## ORDER CODE

Model	Angle	Cable Length	Output Type
ERP - X - XXX - XX - XXX - XX - XXX	345: 345° 350: 350° 355: 355°	1M: 1 meters (standard) *Optional others	No Code: Potentiometric A0: 0-20 mA (CW) NA0: 0-20 mA (CCW) A: 4-20 mA (CW) NA: 4-20 mA (CCW) V: 0-10 V (CW) NV: 0-10 V (CCW) *CW: Clockwise
<b>Body Diameter</b>		<b>Resistance Value</b>	<b>Shaft Diameter</b>
50: 50.8 mm		1K: 1K 5K: 5K 10K: 10K	6: 6mm (shaft length:11,5 mm) 6.34: 6.34mm (shaft length:15,9 mm)

### Atek Sensor Tehcnologies

Tuzla KOSB Organize Sanayi Bolgesi Melek Aras Bulvari, No:67 34956 Tuzla-Istanbul / TURKEY

Tel: +90 216 399 44 04

Fax: +90 216 399 44 02

[www.ateksensor.com](http://www.ateksensor.com)

[info@ateksensor.com](mailto:info@ateksensor.com)



**Address / Endereço:**

Rua Sete de Setembro, 2656  
13560-181 - São Carlos - SP  
Brazil / Brasil

**Phone / Telefone:**

+55 (16) 3371-0112  
+55 (16) 3372-7800

**Internet:**

www.metrolog.net  
metrolog@metrolog.net