



GENERAL FEATURES

- 60°, 90°, 345°, 350°, 355° electrical angle
- 6 mm or 6,34 mm shaft diameter
- 50.8 mm body diameter
- Potentiometric, 0-10V, 4-20 mA or 0-20mA output
- High linearity up to $\pm 0.5\%$
- Long life up to 10 million movements
- IP40 protection class
- No mechanical rotation limitation

APPLICATION FIELDS

- Textile machinery
- Automatic door control systems
- Automotive
- All kinds of control and measurement applications

TECHNICAL FEATURES

Electrical Data

Independent Linearity	$\pm 0.5\%$	
Repeatability	0.1° max.	
Output Type	Potentiometric	0-10V, 4-20 mA, 0-20 mA
Electrical Angle	60°, 90°, 345°, 350°, 355°	
Supply Voltage	42V max.	12...30 VDC
Resistance Values	1K, 2K, 5K, 10K	-
Resistance Tolerance	$\pm 20\%$	-
Resistance Element	Resistive carbon	-
Resolution	Infinite	12 bit
Recommended Wiper Current	100 μ A max.	-
Minimum Life (electrical)	10 million movements	
Electrical Connection	3x0,102 mm ² soft PVC cable (standard 1m, optional others)	

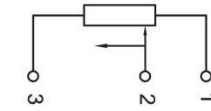
Mechanical Data

Dimensions	See mechanical dimensions table
Size	Servo size 20
Mounting	With 3 clamps
Mechanical Angle	360°, continuous
Torque	0.5 Ncm max.
Maximum Operational Speed	1000 RPM
Body Material	Aluminum
Shaft Material	Stainless Steel
Operating Temperature	-25°C ... +75°C
Storage Temperature	-25°C ... +105°C
Protection Class	IP40
Weight (with 1 m cable)	80 gr

ELECTRICAL CONNECTIONS

Potentiometer Connection

SIGNAL	CABLE COLOR
+V	Green (1)
Potentiometric output	Red (2)
-V	Yellow (3)



Potentiometer connection
(voltage divider)

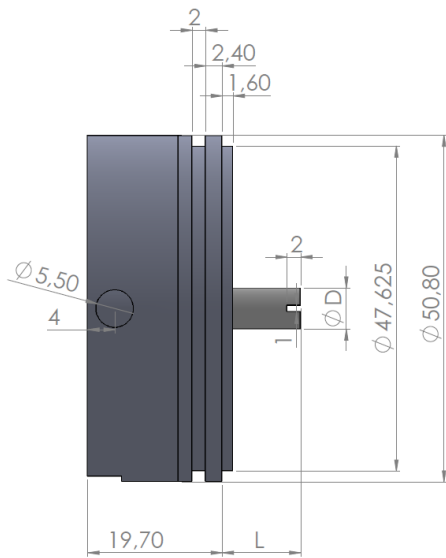
0-10V Connection

SIGNAL	CABLE COLOR
+VDC	Green
Analog Output	Red
-VDC	Yellow

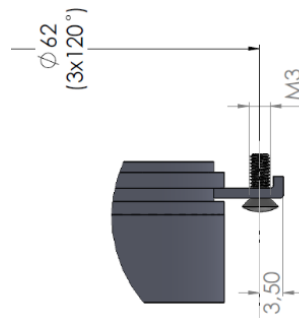
4-20mA or 0-20 mA Connection (2-wire)

SIGNAL	CABLE COLOR
+VDC	Red
Analog Output	Green
	Yellow

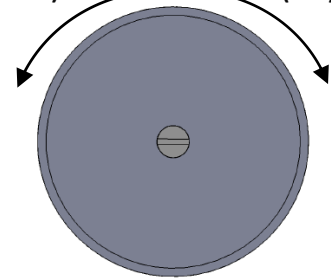
MECHANICAL DIMENSIONS (mm)



∅D (mm)	6	6,34
L (mm)	11,50 or 21,6 mm	15,90 or 21,6 mm



Counter Clockwise (CCW) Clockwise (CW)



ORDER CODE

<p>Model</p> <p>ERP - XXX - XXX - XX - XXX - XX - XXX</p> <p>Body Diameter</p> <p>50: 50.8 mm</p> <p>Resistance Value</p> <p>1K: 1K 2K: 2K 5K: 5K 10K: 10K</p> <p>*Resistance value selection is only available in potentiometric output model.</p>	<p>Angle</p> <p>60 : 60° 90 : 90° 345 : 345° 350 : 350° 355 : 355°</p> <p>Cable Length</p> <p>1M: 1 meters (standard) *Optional others</p>	<p>Output Type</p> <p>No Code: Potentiometric A0: 0-20 mA (CW) NA0: 0-20 mA (CCW) A: 4-20 mA (CW) NA: 4-20 mA (CCW) V: 0-10 V (CW) NV: 0-10 V (CCW) *CW: Clockwise CCW: Counter Clockwise</p> <p>Shaft Diameter</p> <p>6: 6mm (shaft length:11,5 mm) 6B: 6mm (shaft length: 21,6 mm) 6.34: 6.34mm (shaft length:15,9 mm) 6.34B: 6.34mm (shaft length: 21,6 mm)</p>
--------------------------------------------------------------------------------------------------------------------------------------------------------------------------------------------------------------------------------------------------------------------------------------	------------------------------------------------------------------------------------------------------------------------------------------------------------------------------	------------------------------------------------------------------------------------------------------------------------------------------------------------------------------------------------------------------------------------------------------------------------------------------------------------------------------------------------------------------------------------------------------------------------------

Sample Order Code:

Potentiometric output: ERP 050-60-5K-1M-6

Analog output: ERP 050-60-1M-6-A



Address / Endereço:

Rua Sete de Setembro, 2656
13560-181 - São Carlos - SP
Brazil / Brasil

Phone / Telefone:

+55 (16) 3371-0112
+55 (16) 3372-7800

Internet:

www.metrolog.net
metrolog@metrolog.net