



ED-19

Quadrature Output Series Magnetic Encoder

SPECIFICATIONS

- Low profile with open collector output
- Wide operational temperature range
- IP52 sealing
- Sleeve or ball bearing

The ED-19 series magnetic encoder is designed for medium duty feedback applications. Resolutions are available from 200 to 400 counts per revolution.

The magnetic technology used in the ED-19 series is plug-in compatible with existing encoder products, with the advantages of an extended temperature range and fully sealed electronics.

The ED-19 suffers no LED/LD degradation, as with conventional optical encoders, meaning it has a virtually unlimited life.

FEATURES

- Magnetic sensing technology
- Encapsulated electronics/sealed unit
- Harsh environment compatibility
- Quadrature outputs
- Low profile
- Consistent torque
- Resistant to contamination
- IP52 sealing
- Metallic threaded bushing mounting
- Excellent stability – no optical degradation
- Magnetic sensing technology
- Encapsulated electronics/sealed unit

APPLICATIONS

- Marine, avionics, motor speed and position control
- Marine steering
- Monitor pump speed and direction
- Camera position and control
- XY stage positioning
- Motor feedback
- Medical diagnostic equipment
- Video and sound editing equipment
- Valve position
- Syringe pump

PERFORMANCE SPECS (Note1)

Quadrature outputs:

Parameters	ED-19-XX-XXXX-Q-P
Supply current	18 mA
Operating voltage (Vcc)	5 VDC \pm 0.25 VDC
Voltage output high (min.)	4.75 V
Voltage output low (max.)	125 mV
Duty cycle	50% \pm 25%
Phase angle	90° \pm 45°
Output type	Open collector with internal 10k pull-up
Standard resolutions	400, 200 counts per revolution (4 counts = 1 pulse)
Operating temperature	-40 °C to 85 °C

Bearing:

Parameters	ED-19-SB-XXXX-Q-P	ED-19-BB-XXXX-Q-P
Bearings	Sleeve	Ball
Maximum speed	300 RPM	3000 RPM
Bearing life	3,000,000 cycles	30,000,000 cycles

(NOTE1): Vcc = 5 V, Ambient Temperature 25 °C

MECHANICAL

Parameters	ED-19-XX-XXXX-Q-P
Axial load (max.)	20 N
Radial load (max.)	10 N
Shaft end play axial (max.)	0.13 mm
Shaft radial play (max.)	0.25 mm (15.3 mm from thread)
Shaft push-in force	9 N
Shaft pull-out force	1.3 N
Run out (max.)	0.25 mm (19 mm from thread)
Bushing mounting torque	1.1 Nm

DIMENSIONS

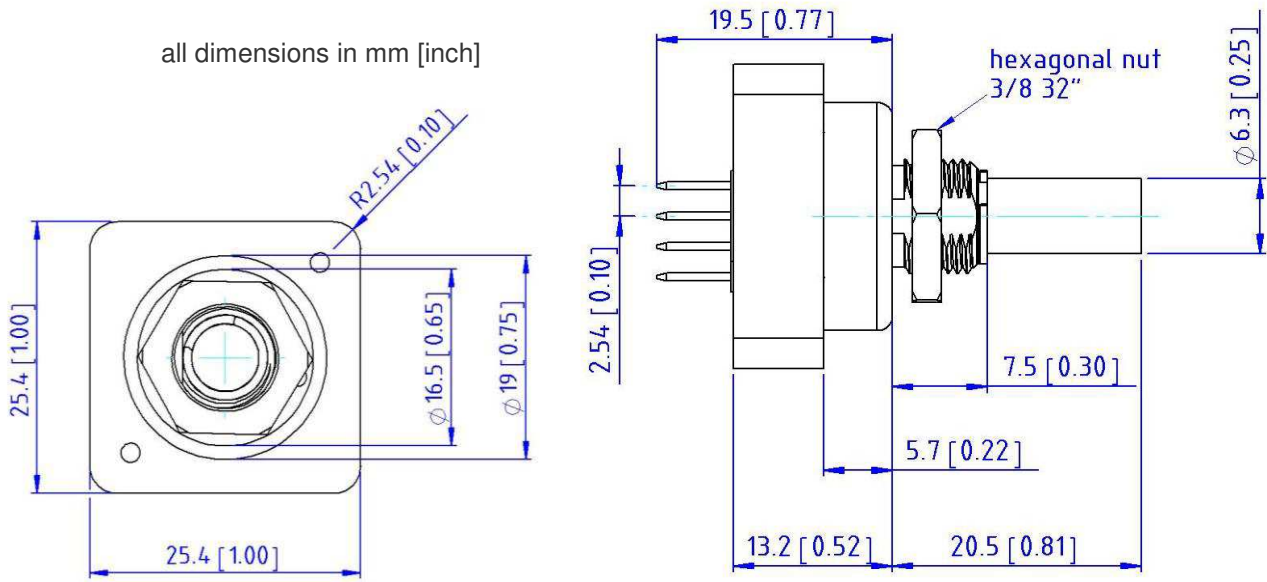


Figure 1: Dimensions of the ED-19-SB-XXXX-X-X (top and side view)

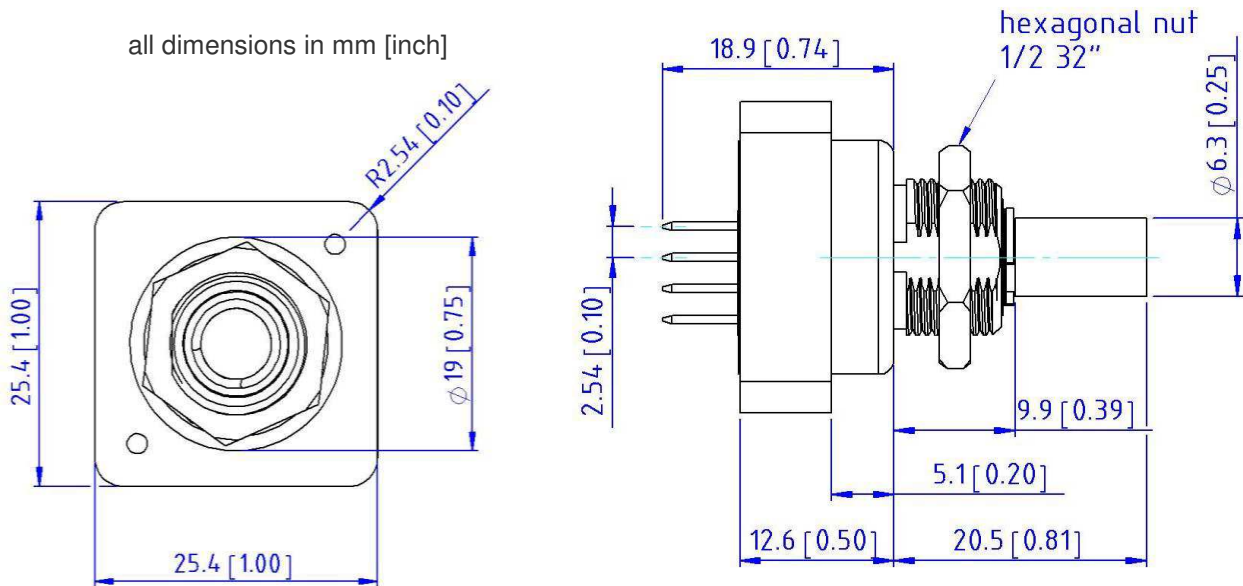


Figure 2: Dimensions of the ED-19-BB-XXXX-X-X (top and side view)

PINNING

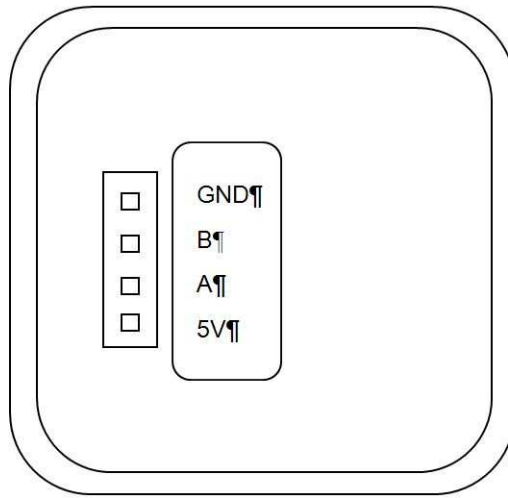


Figure 3: Pinning of the ED-19-XX-XXXX-X-X (bottom view)

TYPICAL PERFORMANCE CURVES

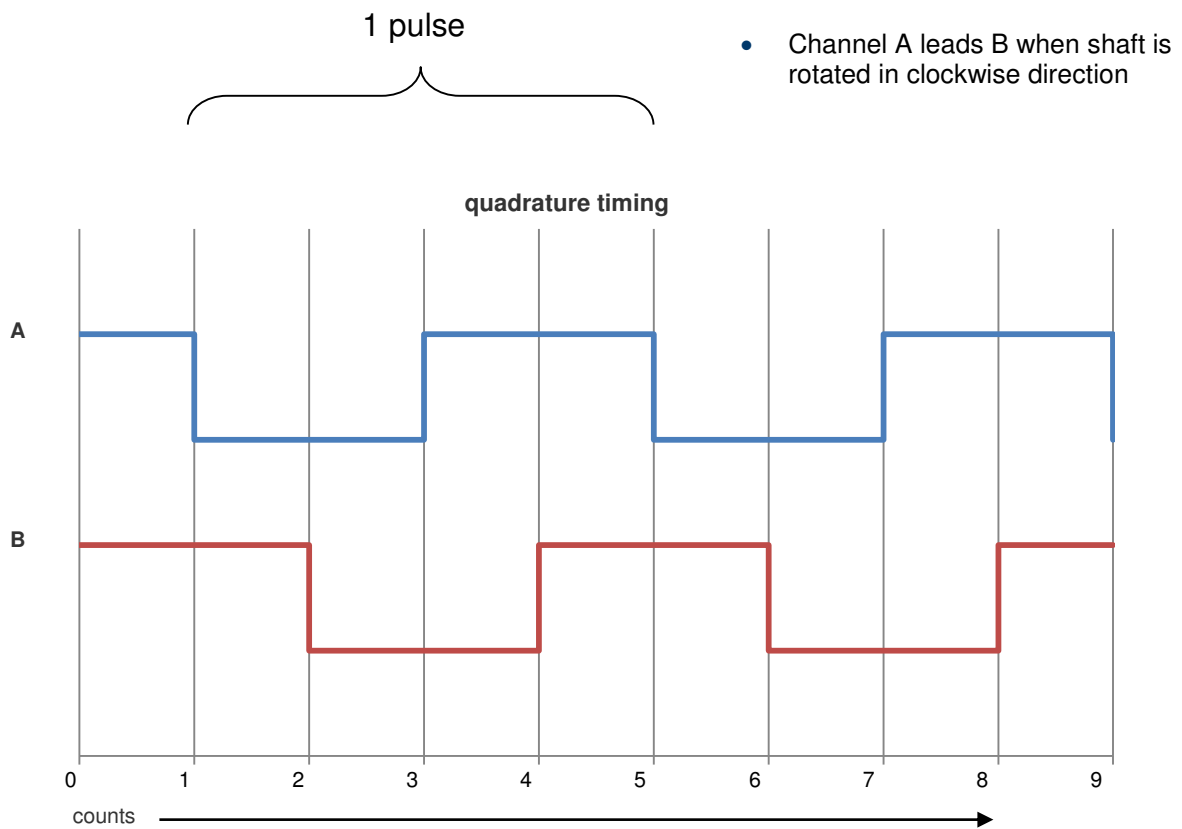


Figure 3: quadrature timing

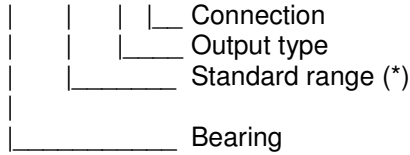
ENVIRONMENTAL

Vibration	MIL-STD-202F Method 204D Test Condition B
Shock	MIL-STD-202F Method 213B Test Condition C
Humidity	MIL-STD-202F Method 103B Test Condition A
Thermal Shock	MIL-STD-202F Method 107G Test Condition A
Operating Temperature	-40 to 85°C
Storage Temperature	-55 to 125°C

ORDERING INFORMATION

PART NUMBERING: Model Number - Bearing - Standard range - Output type - Connection

ED-19-XX-XXXX-Q-P



Options:

- P = Pin header
- Q = Quadrature
- 0200 = 200 counts per revolution
- 0400 = 400 counts per revolution
- SB = Sleeve bearing
- BB = Ball bearing

(*) = Different ranges available, contact sales department for details

Example: ED-19-SB-0400-Q-P

Model ED-19, quadrature output with open collector, sleeve bearing, 400 counts per revolution, pin header

NORTH AMERICA

Measurement Specialties, Inc.,
 a TE Connectivity Company
 1000 Lucas Way
 Hampton, VA 23666
 United States
 Phone: +1-800-745-8008
 Fax: +1-757-766-4297
 Email: sales@meas-spec.com

EUROPE

MEAS Deutschland GmbH (Europe)
 a TE Connectivity Company
 Hauert 13
 D-44227 Dortmund
 Germany
 Phone: +49-(0)231-9740-0
 Fax: +49-(0)231-9740-20
 Email: info.de@meas-spec.com

ASIA

Measurement Specialties (China), Ltd.,
 a TE Connectivity Company
 No. 26, Langshan Road
 High-tech Park (North)
 Nanshan District, Shenzhen 518057
 China
 Phone: +86-755-33305088
 Fax: +86-755-33305099
 Email: info.cn@meas-spec.com

TE.com/sensorsolutions

Measurement Specialties, Inc., a TE Connectivity company.

Measurement Specialties, TE Connectivity, TE Connectivity (logo) and EVERY CONNECTION COUNTS are trademarks. All other logos, products and/or company names referred to herein might be trademarks of their respective owners.

The information given herein, including drawings, illustrations and schematics which are intended for illustration purposes only, is believed to be reliable. However, TE Connectivity makes no warranties as to its accuracy or completeness and disclaims any liability in connection with its use. TE Connectivity's obligations shall only be as set forth in TE Connectivity's Standard Terms and Conditions of Sale for this product and in no case will TE Connectivity be liable for any incidental, indirect or consequential damages arising out of the sale, resale, use or misuse of the product. Users of TE Connectivity products should make their own evaluation to determine the suitability of each such product for the specific application.

© 2015 TE Connectivity Ltd. family of companies All Rights Reserved.

DEALER / REVENDEDOR

Brazil and South America / Brasil e América do Sul



Address / Endereço:

Rua Sete de Setembro, 2656
13560-181 - São Carlos - SP
Brazil / Brasil

Phone / Telefone:

+55 (16) 3371-0112
+55 (16) 3372-7800

Internet:

www.metrolog.net
metrolog@metrolog.net

www.metrolog.net