



ED-18

Analog Output Series Magnetic Encoder

SPECIFICATIONS

- **Analog voltage or current output**
- **Low profile**
- **IP52 sealing**
- **Sleeve or ball bearing**
- **Excellent stability – no optic degradation**

The ED-18 Series Magnetic Encoder can be used for example as rotational feedback sensor or as a human machine interface (HMI) device.

As a light duty feedback sensor it can provide rotation speed, direction or positioning information.

The analog output provides absolute angular position information even when power is cycled on and off.

As an HMI device it can be used as a rotary input control for use on instrumentation panels.

The ED-18 Series is designed with our modular and flexible construction methods.

FEATURES

- Magnetic sensing technology
- Encapsulated electronics/sealed unit
- Harsh environment compatibility
- Analog voltage and current output
- Low profile
- Consistent rotational torque
- Resistant to contamination
- IP52 sealing
- Metallic threaded bushing mounting
- Wide operational temperature range (-40 °C to 85 °C)
- Excellent stability – no optic degradation
- Sleeve or ball bearing

APPLICATIONS

- Marine, avionics motor speed and position control
- Marine steering
- Monitor pump speed and direction
- Camera position and control
- XY stage positioning
- Radio controls
- Medical diagnostic equipment
- Video and sound editing equipment
- Valve position
- Syringe pump
- Potentiometer replacement
- Throttle position control/feedback

PERFORMANCE SPECS (Note1)

Analog voltage output:

Parameters	ED-18-XX-0545-V-P
Standard output range 0 - 360°	0.5 VDC to 4.5 VDC
Supply current	15 mA
Operating voltage (Vcc)	5 VDC
Resolution	1.4°
Accuracy	2.8°
Operating temperature	-40 °C to 85 °C

Analog current output:

Parameters	ED-18-XX-0420-I-P
Standard output range 0 - 360°	4.0 mA to 20.0 mA
Supply current	15 mA + output current loop
Operating voltage (Vcc)	12 VDC to 26 VDC
Resolution	1.4°
Accuracy	2.8°
Operating temperature	-40 °C to 85 °C

Bearing:

Parameters	ED-18-SB-XXXX-I-P / ED-18-SB-XXXX-V-P	ED-18-BB-XXXX-I-P / ED-18-BB-XXXX-V-P
Bearings	Sleeve	Ball
Maximum speed	300 RPM	3000 RPM
Bearing life	3,000,000 cycles	30,000,000 cycles

(NOTE1): Vcc= 5 V | 12 V, Ambient Temperature 25 °C

MECHANICAL

Parameters	ED-18-XX-XXXX-I-P / ED-18-XX-XXXX-V-P
Axial load (max.)	20 N
Radial load (max.)	10 N
Shaft end play axial (max.)	0.13 mm
Shaft radial play (max.)	0.25 mm (15.3 mm from thread)
Shaft push-in force	9 N
Shaft pull-out force	1.3 N
Run out (max.)	0.25 mm (19 mm from thread)
Bushing mounting torque	1.1 Nm

DIMENSIONS

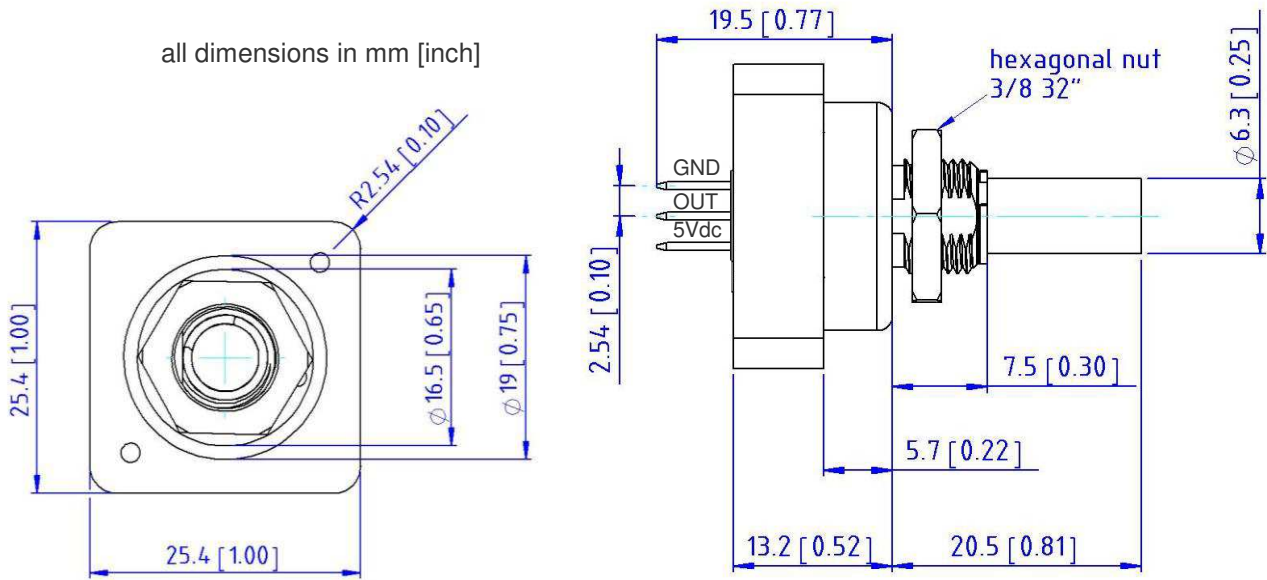


Figure 1: Dimensions of the ED-18-SB-XXXX-X-X (top and side view)

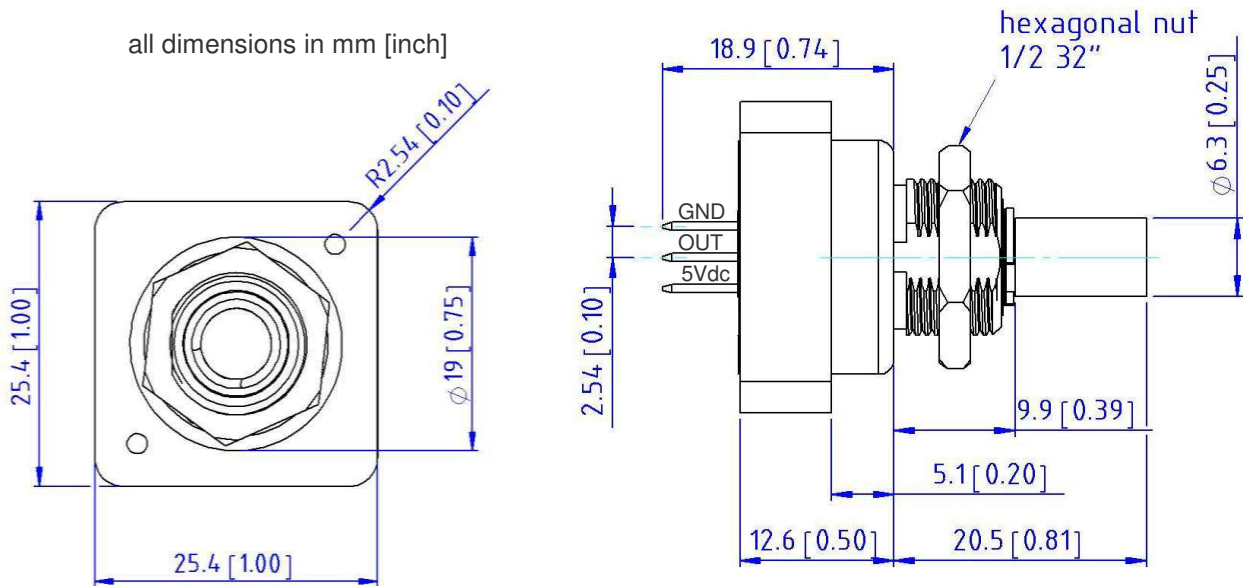


Figure 2: Dimensions of the ED-18-BB-XXXX-X-X (top and side view)

PINNING

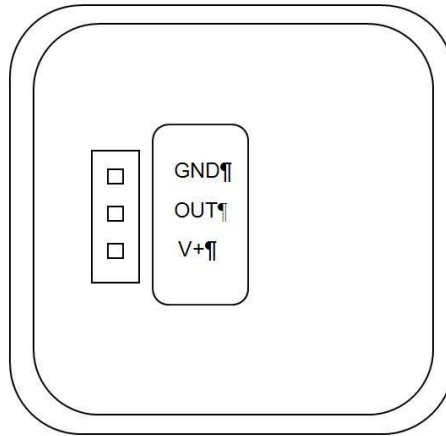


Figure 3: Pinning of the ED-18-XX-XXXX-X-X (bottom view)

TRANSFER CHARACTERISTIC | OUTPUT SIGNAL

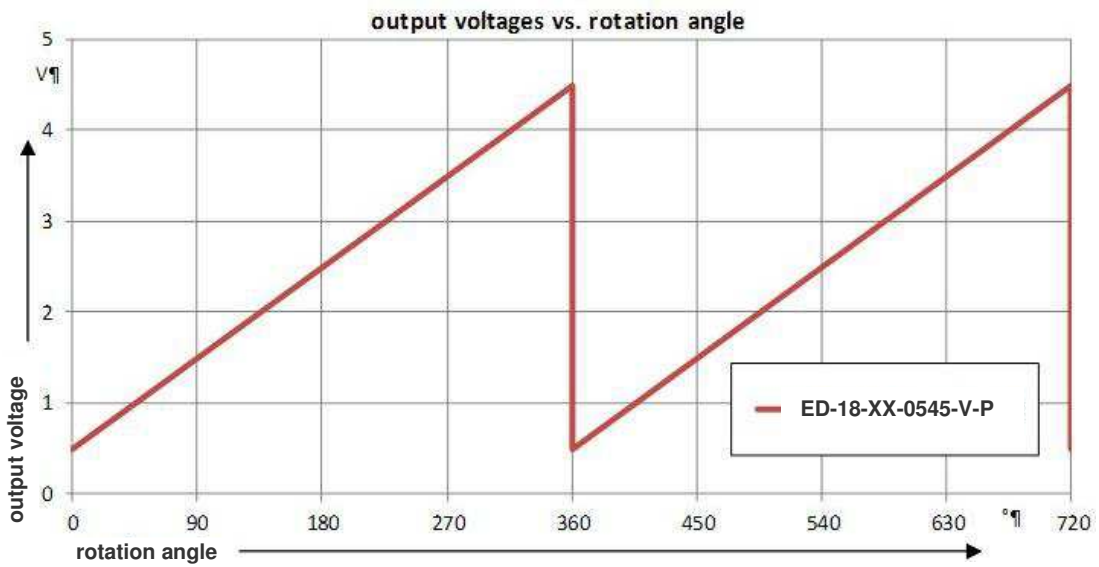


Figure 4: Output voltage vs. rotation angle

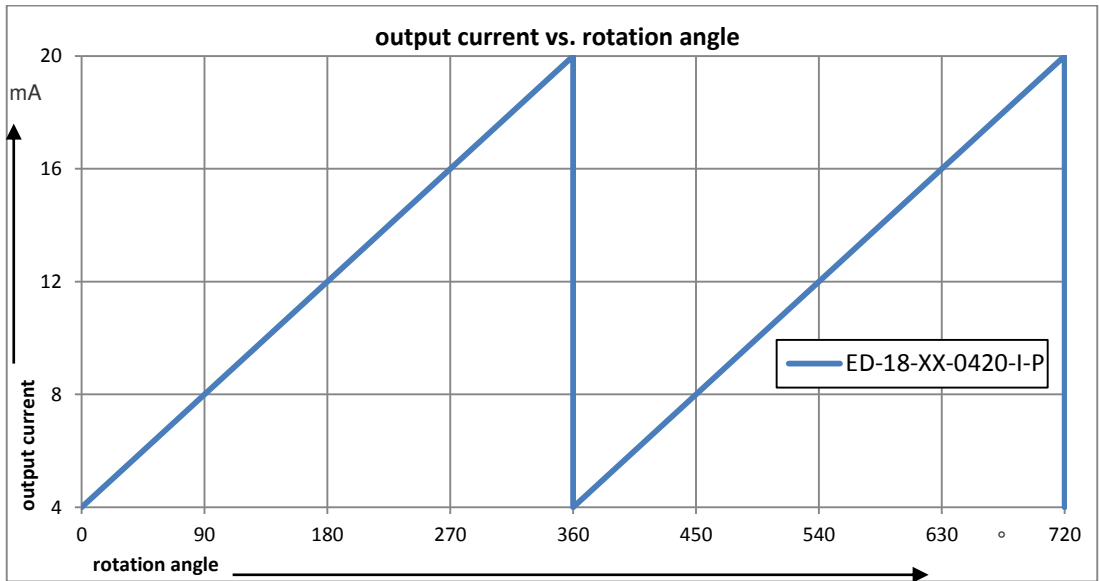


Figure 5: Output current vs. rotation angle

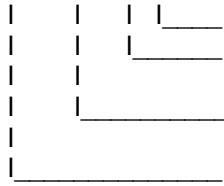
ENVIRONMENTAL

Vibration	MIL-STD-202F Method 204D Test Condition B
Shock	MIL-STD-202F Method 213B Test Condition C
Humidity	MIL-STD-202F Method 103B Test Condition A
Thermal Shock	MIL-STD-202F Method 107G Test Condition A
Operating Temperature	-40 to 85 °C
Storage Temperature	-55 to 125 °C

ORDERING INFORMATION

PART NUMBERING Model Number+ Bearing+Range+Analog Output+Connection

ED-18-XX-XXXX-X-X



Connection
 Analog Output
 Output Range
 Bearing

Options:
 P = Pin header
 V = Voltage
 I = Current
 0545 = 0.5 VDC to 4.5 VDC
 0420 = 4 mA to 20 mA
 SB = Sleeve Bearing
 BB = Ball Bearing

Example: ED-18-SB-0545-V-P

Model ED-18, sleeve bearing, analog output voltage from 0.5 VDC to 4.5 VDC, pin header

NORTH AMERICA

Measurement Specialties, Inc.,
 a TE Connectivity Company
 1000 Lucas Way
 Hampton, VA 23666
 United States
 Phone: +1-800-745-8008
 Fax: +1-757-766-4297
 Email: sales@meas-spec.com

EUROPE

MEAS Deutschland GmbH (Europe)
 a TE Connectivity Company
 Hauert 13
 D-44227 Dortmund
 Germany
 Phone: +49-(0)231-9740-0
 Fax: +49-(0)231-9740-20
 Email: info.de@meas-spec.com

ASIA

Measurement Specialties (China), Ltd.,
 a TE Connectivity Company
 No. 26 Langshan Road
 Shenzhen High-Tech Park (North)
 Nanshan District, Shenzhen 518057
 China
 Phone: +86-755-33305088
 Fax: +86-755-33305099
 Email: info.cn@meas-spec.com

TE.com/sensorsolutions

Measurement Specialties, Inc., a TE Connectivity company.

Measurement Specialties, TE Connectivity, TE Connectivity (logo) and EVERY CONNECTION COUNTS are trademarks. All other logos, products and/or company names referred to herein might be trademarks of their respective owners.

The information given herein, including drawings, illustrations and schematics which are intended for illustration purposes only, is believed to be reliable. However, TE Connectivity makes no warranties as to its accuracy or completeness and disclaims any liability in connection with its use. TE Connectivity's obligations shall only be as set forth in TE Connectivity's Standard Terms and Conditions of Sale for this product and in no case will TE Connectivity be liable for any incidental, indirect or consequential damages arising out of the sale, resale, use or misuse of the product. Users of TE Connectivity products should make their own evaluation to determine the suitability of each such product for the specific application.

© 2015 TE Connectivity Ltd. family of companies All Rights Reserved.

DISTRIBUTOR / DISTRIBUIDOR

Brazil and South America / Brasil e América do Sul



Address / Endereço:

Rua Sete de Setembro, 2656
13560-181 - São Carlos - SP
Brazil / Brasil

Phone / Telefone:

+55 (16) 3371-0112
+55 (16) 3372-7800

Internet:

www.metrolog.net
metrolog@metrolog.net

www.metrolog.net