



E-SERIES INCLINOMETER

SPECIFICATIONS

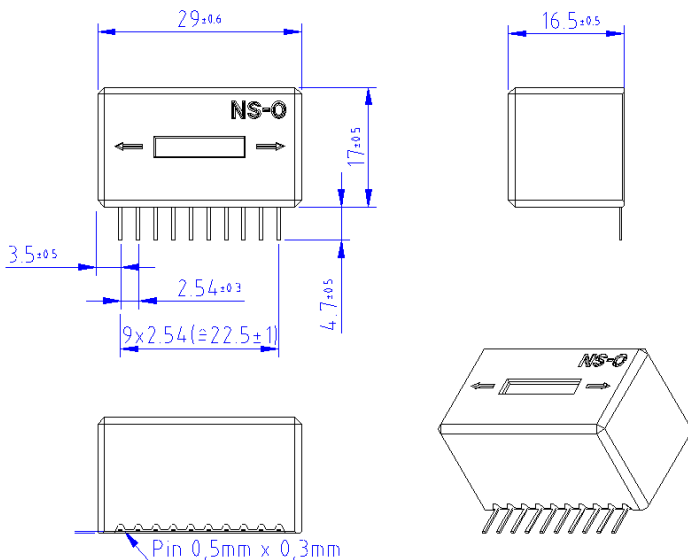
Single axis inclinometer

Measurement range $\pm 5^\circ$ or $\pm 15^\circ$

Analogue voltage output

The E-Series is a fully signal conditioned single axis inclinometer ready for installation. Consisting of a tilt sensor, and hybrid electronics sealed within a ceramic housing, the E-Series provides a smooth VDC output over the $\pm 5^\circ$ or $\pm 15^\circ$ measurement range. Adjustments to zero, sensitivity and accuracy can be made by use of external passive components, allowing customization to individual applications. A precision reference surface assures measurement accuracy, while the 10 connection pins provide easy soldering onto a circuit board or other substrate.

Dimensions [mm]



FEATURES

- +6.5 to +24VDC unregulated input
- Lightweight / compact
- High resolution
- Wide -25° to $+85^\circ$ operating temp range
- Small dimension
- Easy installation

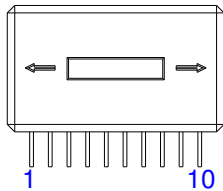
APPLICATIONS

- Road construction machines
- Building control
- Weighing systems
- Mobile and stationary cranes
- Platform leveling

PARAMETERS

	Conditions	Min	Type	Max	Unit
Measurement range ⁽¹⁾		-5 , -15		+5, +15	°
Repeatability			0.02		°
Linear error	+/-5°		0.5		%
Linear error	+/-10°		1.5		%
Symmetry error			0.5		°
Zero point offset ⁽²⁾			0.5		°
Response time	t90		1		s
TC zero point			0.5		m°/K
TC sensitivity			6.5		m°/K
Output signal, typical	NS-5/E	-3		+3	V
Output signal, typical	NS-15/E	-2		+2	V
Current consumption			5		mA
Power supply		+6.5		+24	VDC
Operating temperature range		-25		+85	°C
Storage temperature range		-40		+85	°C
Weight			20		g
Dimensions	W x D x H		29 x 17 x 16		mm

- (1) measurement ranges +/-5° and +/-15° are available
- (2) external adjustment with potentiometer possible



For pinning please use the instruction manual of the E-series.

ORDERING INFORMATION

PART NUMBERING	UNIT	SHORT DESCRIPTION
G-NSE-001	NS-5/E	Range +/-5°,Vcc +6.5...24VDC,voltage output signal +/-3V
G-NSE-013	NS-15/E	Range +/-15°,Vcc +6.5...24VDC,voltage output signal +/-2V

NORTH AMERICA

Measurement Specialties, Inc.,
a TE Connectivity Company
1000 Lucas Way
Hampton, VA 23666
United States
Phone: +1-800-745-8008
Fax: +1-757-766-4297
Email: sales@meas-spec.com

EUROPE

MEAS Deutschland GmbH (Europe)
a TE Connectivity Company
Hauert 13
D-44227 Dortmund
Germany
Phone: +49-(0)231-9740-0
Fax: +49-(0)231-9740-20
Email: info.de@meas-spec.com

ASIA

Measurement Specialties (China), Ltd.,
a TE Connectivity Company
No. 26 Langshan Road
Shenzhen High-Tech Park (North)
Nanshan District, Shenzhen 518057
China
Phone: +86-755-33305088
Fax: +86-755-33305099
Email: info.cn@meas-spec.com

TE.com/sensorsolutions

Measurement Specialties, Inc., a TE Connectivity company.

Measurement Specialties, TE Connectivity, TE Connectivity (logo) and EVERY CONNECTION COUNTS are trademarks. All other logos, products and/or company names referred to herein might be trademarks of their respective owners.

The information given herein, including drawings, illustrations and schematics which are intended for illustration purposes only, is believed to be reliable. However, TE Connectivity makes no warranties as to its accuracy or completeness and disclaims any liability in connection with its use. TE Connectivity's obligations shall only be as set forth in TE Connectivity's Standard Terms and Conditions of Sale for this product and in no case will TE Connectivity be liable for any incidental, indirect or consequential damages arising out of the sale, resale, use or misuse of the product. Users of TE Connectivity products should make their own evaluation to determine the suitability of each such product for the specific application.

© 2016 TE Connectivity Ltd. family of companies All Rights Reserved.