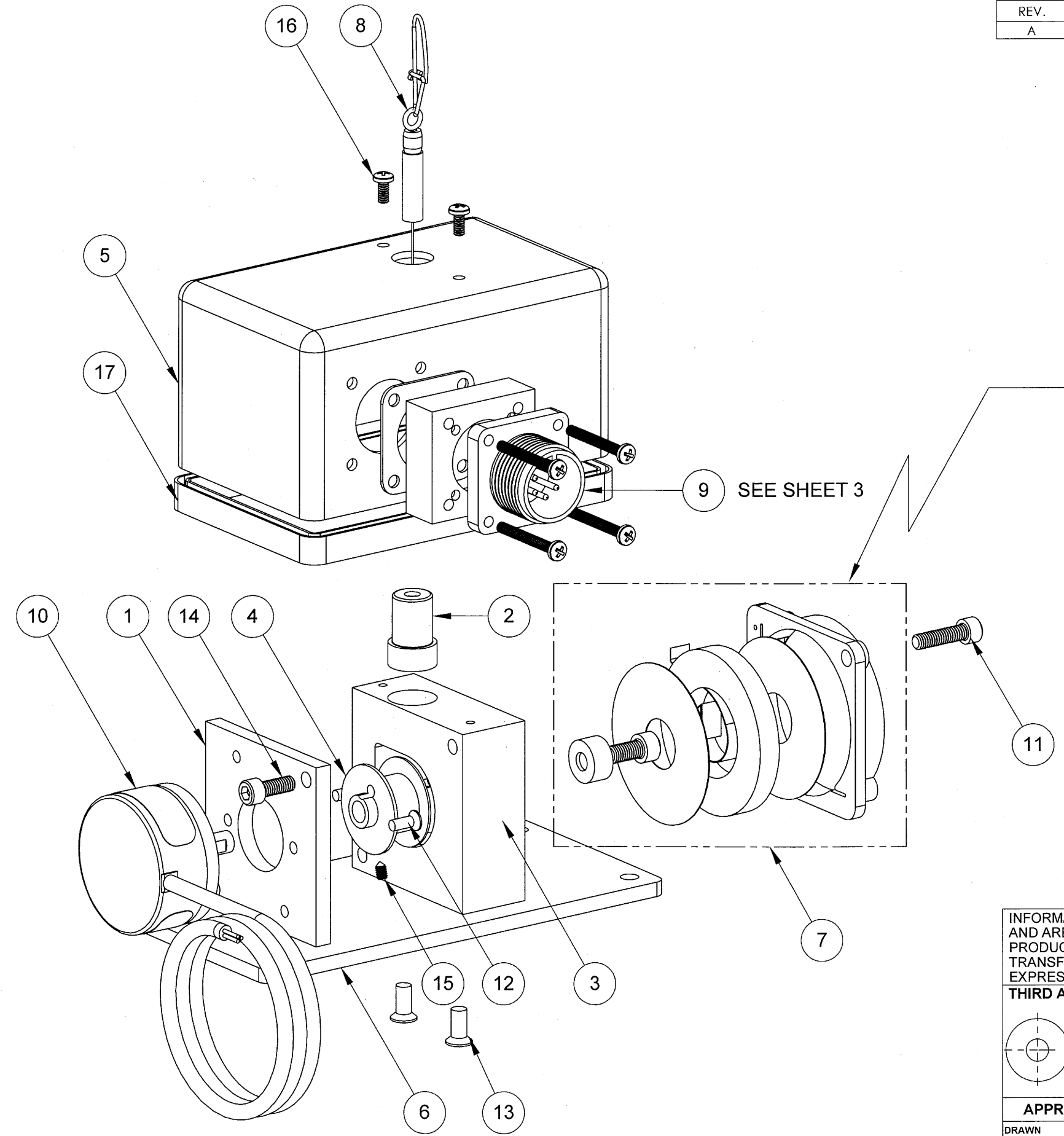


REVISIONS			
REV.	DESCRIPTION	DATE	APPROVED
A	SEE DCN: 6623	11/19/2008	

A
B
C
D
E
F
G



- APPLY 8 SPRING TURNS TO ALL RANGES.
(SPRING TURN ARE THE TOTAL NUMBER OF SPRING TURNS AFTER THE MEASURING CABLE HAS BEEN FED ONTO SPOOL).

- LUBRICATE WITH 6 DROPS OF SILICONE OIL P/N: 9000000-0001 USING DISPENSER P/N: 9650601-0000.

ORIGINAL

INFORMATION AND DATA SET FORTH HEREIN ARE DISCLOSED IN CONFIDENCE AND ARE PROPRIETARY TO AND THE PROPERTY OF CELESCO TRANSDUCER PRODUCTS INC. AND SHALL NOT BE USED, DUPLICATED, DISCLOSED OR TRANSFERRED, IN WHOLE OR IN PART, FOR ANY PURPOSE, WITHOUT THE EXPRESS PRIOR WRITTEN CONSENT OF CELESCO TRANSDUCER PRODUCTS INC.

THIRD ANGLE PROJECTION

celesco 20630 Plummer St
Chatsworth, CA. 91311
Tel: (818) 701-2750 Fax: (818) 701-2799
www.celesco.com

Transducer Products Inc.

TITLE
**ASSEMBLY DRAWING
DPT250 SERIES**

APPROVALS	DATE	SIZE	CODE IDENT. NO	DWG. NO.	REV
DRAWN A.ALVAREZ	10/27/08	B	52158	PS-151	A
CHKD E.GARCIA		DO NOT SCALE DRAWING		SCALE: 1:1	SHEET 1 OF 5

TABLE I					
	25 IN	50 IN	625 MM	1250 MM	
A	SPOOL	9678656-0003	9678656-0002	9678656-0004	9678656-0001
	FRAME	9678655-0002	9678655-0001	9678655-0002	9678655-0001
	COVER	9677716-0001	9678853-0000	9677716-0001	9678853-0000
	CABLE KIT	9604082-0025	9604082-0050	9604082-0025	9604082-0050
	SPRING, OPTION "I"	9603902-0000 WITH (11) = 9650444-0213			
	SPRING, OPTION "H"	9603569-0000 WITH (11) = 9650444-0218			

TABLE II		
C SENSORS (ENCODERS)	5 VDC TTL/CMOS/A,B, 1000 LINES PER REV	9650648-1000
	5 VDC TTL/CMOS/A,B, 2000 LINES PER REV	9650648-2000
	5 VDC TTL/CMOS/A,B, 2500 LINES PER REV	9650648-2500
	5 VDC TTL/CMOS/A,B, 100 LINES PER REV	9650648-0100
	10.8-26.4 VDC OPEN COLLECTOR/A,B, 1000 LINES	9650650-1000
	10.8-26.4 VDC OPEN COLLECTOR/A,B, 2000 LINES	9650650-2000
	10.8-26.4 VDC OPEN COLLECTOR/A,B, 2500 LINES	9650650-2500
	10.8-26.4 VDC OPEN COLLECTOR/A,B, 100 LINES	9650650-0100
	5 VDC LINE DRIVER, 1000 LINES PER REV	9650649-1000
	5 VDC LINE DRIVER, 2000 LINES PER REV	9650649-2000
	5 VDC LINE DRIVER, 2500 LINES PER REV	9650649-2500
	5 VDC LINE DRIVER, 100 LINES PER REV	9650649-0100
	5-28 VDC UNIVERSAL LINE DRIVER, 1000 LINES	9650649-1000
	5-28 VDC UNIVERSAL LINE DRIVER, 2000 LINES	9650649-2000
	5-28 VDC UNIVERSAL LINE DRIVER, 2500 LINES	9650649-2500
		5-28 VDC UNIVERSAL LINE DRIVER, 100 LINES

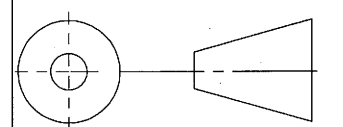
E	17	9000320-0003	GASKET, COVER	AR
	16	9007121-4405	MSCR CRES 0.112-40X0.25 XRSPNH	2
	15	9011264-4404	SSCR,0.112-40X3/16,SKT HD,BLOX,CONE PT	2
	14	9650444-0216	CSCR .164-32X.44 SKT HD,ST STL	2
	13	9006221-8307	MSCR CRES 0.164-32X0.38 XRSFLH	2
	12	9650444-0231	MSCR,CRES,M3 X 8MM XRSFLH	2
	11	SEE TABLE I	CSCR .164-32	2
	10	SEE TABLE III	ENCODER	1
F	9	SEE SHEET 4	CONNECTOR	1
	8	SEE TABLE I	KIT,CABLE 0.019 PER 604082	1
	7	SEE TABLE I	SUBASSY,SPNG,	1
	6	9673987-0000	BASEPLATE,PSNXDCR,AL,50 IN	1
	5	SEE TABLE I	MODIFIED, COVER, DPT250	1
	4	SEE TABLE I	SPOOL	1
	3	SEE TABLE I	FRAME	1
	2	9678658-0000	CBLGUIDE,DELRLN,PT1E/DPT250	1
	1	9678657-0000	PLATE,ENCDR SIDE,PT1E,	1
G	ITEM NO.	PART NUMBER	DESCRIPTION	QTY

TABLE III					
		COMS/TTL AND OPEN COLLECTOR	5V LINE DRIVER AND UNIVERSAL LINE DRIVER		
		9650648-0100 9650648-1000 9650648-2000 9650648-2500 9650650-0100 9650650-1000 9650650-2000 9650650-2500	9650649-0100 9650649-1000 9650649-2000 9650649-2500		
6 PIN CONNECTOR	PIN A	RED	RED	INPUT COMMON	
	PIN B	BLACK	BLACK	CHANNEL B	
	PIN C	WHITE	WHITE	CHANNEL A	
	PIN D	GREEN	GREEN	CHANNEL B'	
	PIN E	---	BLUE	CHANNEL A'	
	PIN F	---	GRAY		
18 PIN CONNECTOR	PIN 1	RED	RED	INPUT COMMON	
	PIN 2	BLACK	BLACK	CHANNEL A	
	PIN 3	GREEN	GREEN	CHANNEL B	
	PIN 6	WHITE	WHITE	INDEX Z	
	PIN 7	---	YELLOW	CHANNEL A'	
	PIN 11	---	BLUE	CHANNEL B'	
	PIN 12	---	GRAY	CHANNEL A'	
PIN 15	---	ORANGE	INDEX Z		
INSTRUMENTATION CABLE	RED	RED	RED	INPUT COMMON	
	BLACK	BLACK	BLACK	CHANNEL B	
	GREEN	WHITE	WHITE	CHANNEL A	
	WHITE	GREEN	GREEN	CHANNEL B'	
	BLUE	---	GRAY	CHANNEL A'	
	BROWN	---	BLUE	INDEX Z	
	YELLOW	---	YELLOW	INDEX Z	
	ORANGE	---	ORANGE	INDEX Z	

ORIGINAL

INFORMATION AND DATA SET FORTH HEREIN ARE DISCLOSED IN CONFIDENCE AND ARE PROPRIETARY TO AND THE PROPERTY OF CELESCO TRANSDUCER PRODUCTS INC. AND SHALL NOT BE USED, DUPLICATED, DISCLOSED OR TRANSFERRED, IN WHOLE OR IN PART, FOR ANY PURPOSE, WITHOUT THE EXPRESS PRIOR WRITTEN CONSENT OF CELESCO TRANSDUCER PRODUCTS INC.

THIRD ANGLE PROJECTION



celesco
20630 Plummer St
Chatsworth, CA. 91311
Tel:(818)701-2750 Fax:(818)701-2799
www.celesco.com

TITLE
**ASSEMBLY DRAWING
DPT250 SERIES**

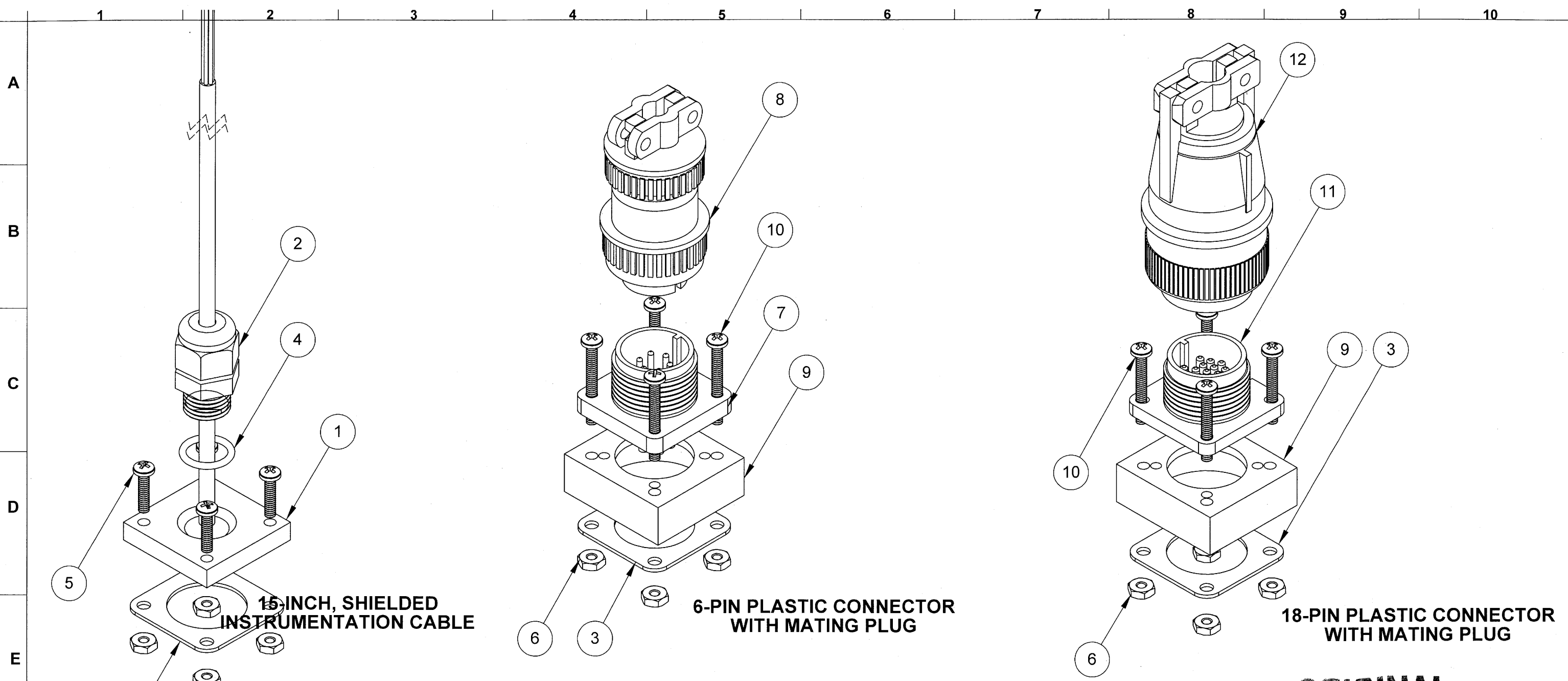
APPROVALS DATE

DRAWN A.ALVAREZ 10/27/08
CHKD E.GARCIA

SIZE CODE IDENT. NO DWG. NO. REV
B 52158 PS-151 A

DO NOT SCALE DRAWING

SCALE: 1:2 SHEET 2 OF 5



15-INCH, SHIELDED INSTRUMENTATION CABLE

6-PIN PLASTIC CONNECTOR WITH MATING PLUG

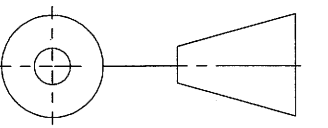
18-PIN PLASTIC CONNECTOR WITH MATING PLUG

ORIGINAL

12	9036820-0003	CONN,PLUG,STR,18 SKT	1
11	9676967-0000	CONNECTOR,MOD,18 PIN	1
10	9650444-0170	MSCR CRES 0.112-40X1.00 PNHDXR	4
9	9673938-0000	BLOCK,CONN-MTG,PSNXDCR,NYLON	1
8	9036830-0001	CONN,PLUG,STR,14 SHELL, 6SKT	1
7	9035830-0001	CONN,RCPT,BOX-MTG,14SHELL,6PIN	1
6	9001221-4411	NUT CRES 0.112-40 HEX	4
5	9650444-0050	MSCR,CRES,0.112-40X.50 XRSPND	4
4	9000312-0131	SEAL,O-RING, NITRILE, 0.426 ID	1
3	9000320-0006	GASKET, FLANGED CONN, 14 SHELL	1
2	9032000-0015	STNRLF,LIQ-TIGHT, GRAY	1
1	9676670-0001	ADAPTER,UNDERWTR CABLE, ALUM	1
ITEM NO.	PART NUMBER	DESCRIPTION	QTY

INFORMATION AND DATA SET FORTH HEREIN ARE DISCLOSED IN CONFIDENCE AND ARE PROPRIETARY TO AND THE PROPERTY OF CELESCO TRANSDUCER PRODUCTS INC. AND SHALL NOT BE USED, DUPLICATED, DISCLOSED OR TRANSFERRED, IN WHOLE OR IN PART, FOR ANY PURPOSE, WITHOUT THE EXPRESS PRIOR WRITTEN CONSENT OF CELESCO TRANSDUCER PRODUCTS INC.

THIRD ANGLE PROJECTION



celesco 20630 Plummer St
Chatsworth, CA. 91311
Tel:(818)701-2750 Fax:(818)701-2799
www.celesco.com
Transducer Products Inc.

TITLE			
ASSEMBLY DRAWING DPT250 SERIES			
APPROVALS	DATE	SIZE	CODE IDENT. NO
DRAWN A.ALVAREZ	10/27/08	B	52158
CHKD E.GARCIA		DWG. NO.	PS-151
DO NOT SCALE DRAWING		SCALE: 1:1	SHEET 3 OF 5
			A

A

B

C

D

E

F

G

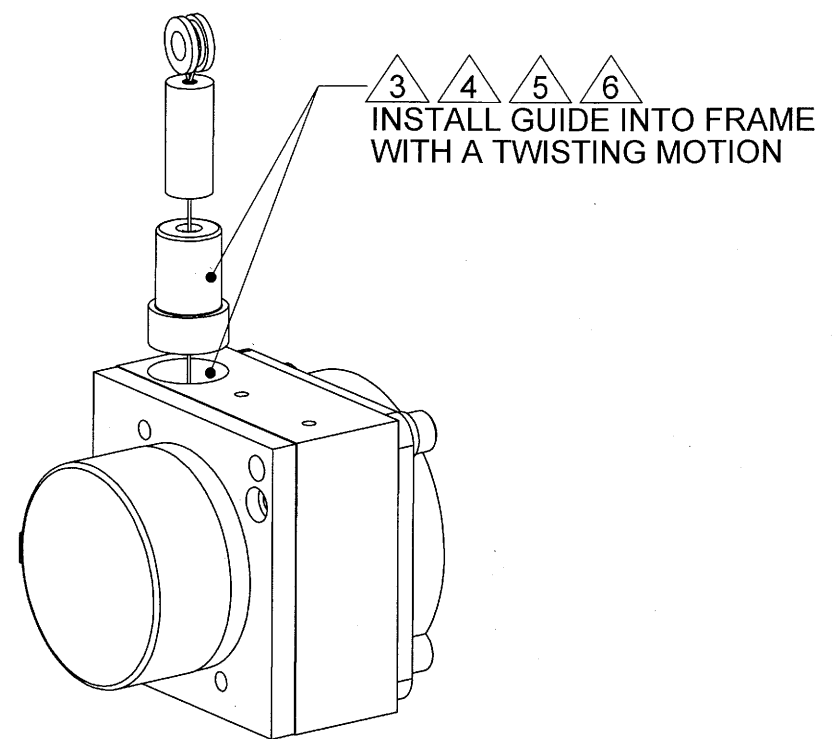
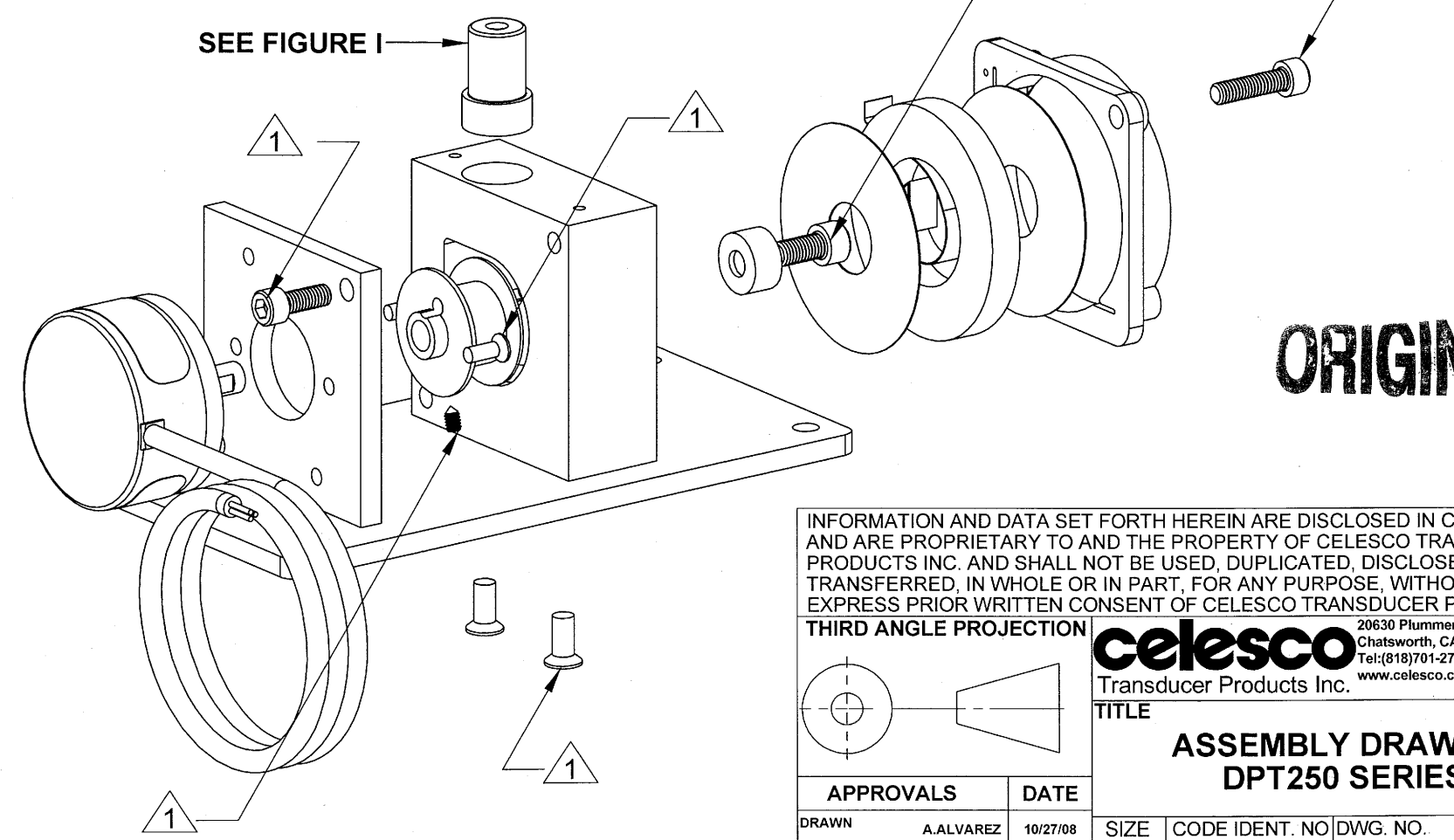
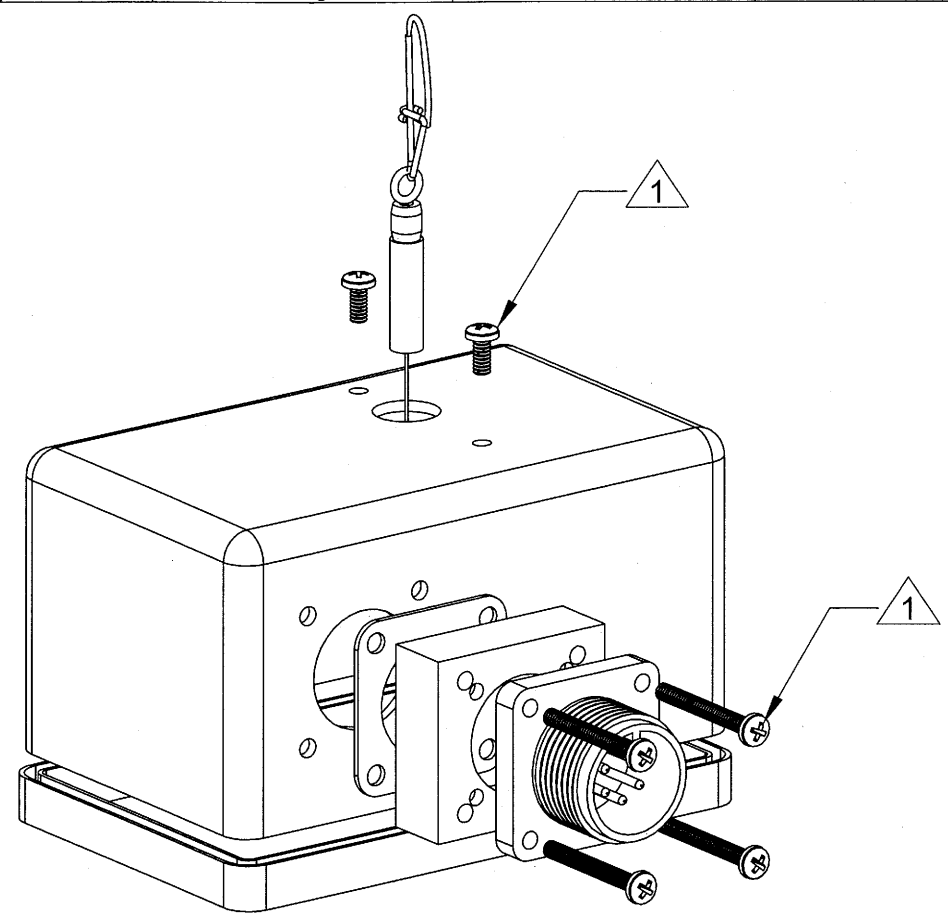


FIGURE I

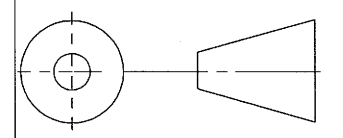


ORIGINAL

- △6 SPECIFIC DISPENSING NOZZLE NOT REQUIRED.
- △5 APPLY 2-3 DROPS OF LOCTITE 480 TO AREA SHOWN, ALL AROUND.
- △4 CLEAN SURFACES WITH LOCTITE PRIMER 770. ALLOW TO DRY.
- △3 USE SAND PAPER (150-220 GRIT) TO ROUGHEN DELRIN SURFACE SHOWN.
- △2 APPLY 2 DROPS OF LOCTITE 425 ONLY, USE DISPENSER TIP 9650602-0000.
- △1 APPLY LOCTITE PRIMER 7649, ALLOW TO DRY, THEN USING A LOCTITE DISPENSER TIP, 9650602-0001, APPLY 2 DROPS OF LOCITE 222

INFORMATION AND DATA SET FORTH HEREIN ARE DISCLOSED IN CONFIDENCE AND ARE PROPRIETARY TO AND THE PROPERTY OF CELESCO TRANSDUCER PRODUCTS INC. AND SHALL NOT BE USED, DUPLICATED, DISCLOSED OR TRANSFERRED, IN WHOLE OR IN PART, FOR ANY PURPOSE, WITHOUT THE EXPRESS PRIOR WRITTEN CONSENT OF CELESCO TRANSDUCER PRODUCTS INC.

THIRD ANGLE PROJECTION



celesco
 Transducer Products Inc.
 20630 Plummer St
 Chatsworth, CA, 91311
 Tel: (818) 701-2750 Fax: (818) 701-2799
 www.celesco.com

TITLE				
ASSEMBLY DRAWING DPT250 SERIES				
APPROVALS	DATE	SIZE	CODE IDENT. NO	DWG. NO.
DRAWN A.ALVAREZ	10/27/08	B	52158	PS-151
CHKD E.GARCIA				A
DO NOT SCALE DRAWING		SCALE: 1:1	SHEET 4 OF 5	

