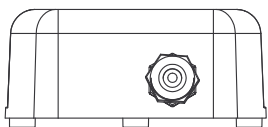
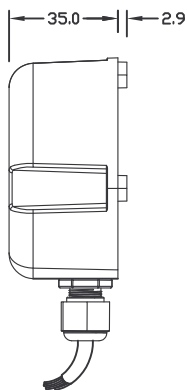
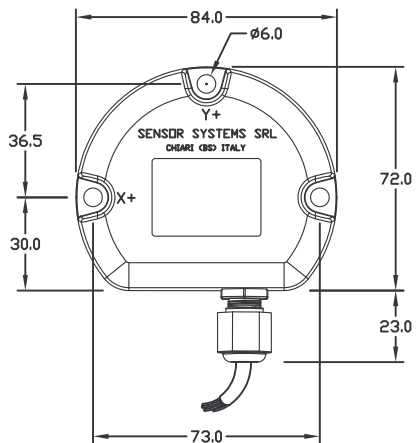


Green: Relay 1 NC White: V+
 Gray: Relay 1 NA Yellow: V-
 Blue: Relay COM Brown: Zero
 Pink: PNP output

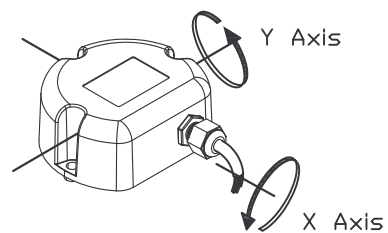
CONNECTION

Relay Switching points			
X+	5°	Y+	5°
X-	5°	Y-	5°
5° set as factory default. Factory settings can be decided by user only while ordering			



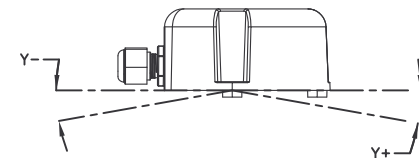
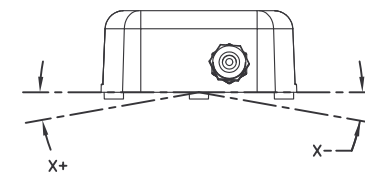
DIMENSION

Technical specifications		
Measuring range	°	±5 to ±20
Input voltage	Volt	9 to 30
Output Signals	-	Relay 12V / 24V
Switching current	mA	1A / 30VA
Switch-on/off delay time	s	0.5 factory default
Current consumption	mA	200
Linearity	% F.S.	< 1
Resolution	°	±0.1
Operating temperature range	° c	-20° to +70°
Stocking Temperature	° c	-40° to +80°
Thermal zero drift	° / ° c	±0.002



Mounting:
Horizontal

Tilt:
positive rotation
shown in figure



Mechanical specifications		
Material	-	Ultradur S4090 G4 (PBT), black
Weight	g	240
Protection class	-	IP 67
Cable lenght	cm	30

Ordering Information	
DPS-K-DN-XX-XX-XX	
— DP:	for Horizontal mounting (progr version); DN: hor mount, non progr. version)
— XX:	Angle range
— XX:	Switch angle Y
— XX:	Switch angle X

Sensor Systems S.r.l. Via Caduti del Lavoro 9 25032 Chiari (BS) Italia Tel 0307000916 Fax 0307005126	Denominazione (Description) DPS-K Dual axis sensor with single Relay output		
	Materiale (Material) see mechanical spec.	Codice (Code) DPS-K-DN-XX-XX-XX	
	Disegnato (Drawn) Crescini	Controllato (Checked) Ziliani	Data (Date) 01/09/08
	Durezza (Hardness) -	Tratt. sup (Sup treatm.) see mechanical spec.	Tratt. term. (Heat Treatm.) -
	Tolleranze (Tolerances) -	filename DPS-K-DN_eng.dwg	Rev 1