

THE FOLLOWING PAGE CONTAINS THE CONNECTION DETAILS

It is your responsibility to ensure that the transducer identification matches the connection details, including any RDP modification (T.M) references.

Please ensure that the transducer has not been modified or fitted with a cable or extension.

Particularly on DC-DC powered transducers, incorrect connection may cause **IRREPERABLE DAMAGE** to the transducer which is **NOT COVERED BY WARRANTY**

IF YOU ARE IN ANY DOUBT PLEASE CONTACT US



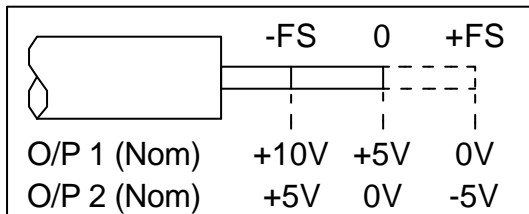
DCTH TM627 (DC to DC LVDT)



CONNECTION DETAILS

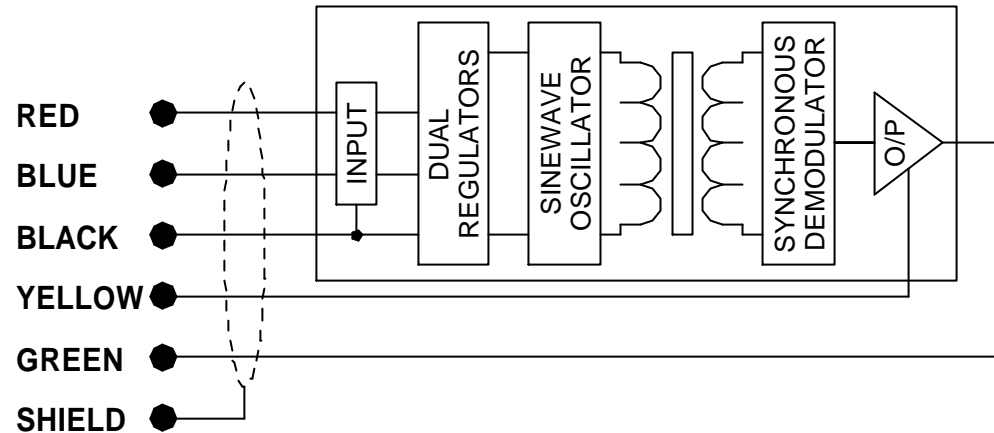
Dual Supply	
+12 to +20V Input	RED
-12 to -20V Input	BLUE
0V Common I/P, O/P	BLACK
Output 1 10-0V	YELLOW
Output 2 (+/-) 5V	GREEN
Instrument Ground	SHIELD

Single Supply *	
24 to 40V Input (Vs)	RED
Supply Common	BLUE
Output Common **	BLACK
Output 1 10-0V	YELLOW
Output 2 (+/-) 5V	GREEN
Instrument Ground	SHIELD



See Calibration Certificate for exact figures.
INSULATE UNUSED OUTPUT

* SUPPLY MUST BE FULLY FLOATING
** OUTPUT COMMON FLOATS AT $V_s/2$



LOAD IMPEDANCE: Output 1. 10k (min) at 24V supply
2k (min) at 30V and higher supply
Output 2. 2k (min)

SUPPLY: Smooth d.c. voltage 30mA typical

**NOTE : INCORRECT CONNECTION MAY CAUSE IRREPARABLE DAMAGE
CONTACT OUR SALES DEPARTMENT IF YOU REQUIRE ASSISTANCE**

RDP U.K.
Tel 01902 457512
Fax 01902 452000



Certificate No. FM 13141
BS EN ISO 9001:2000

MADE IN THE
UNITED KINGDOM

Doc. Ref. WDUK1119
ISSUE 2 - 15 SEP 2004

RDP U.S.A.
Tel 610 469 0850
Fax 610 469 0852

Distribuidor

Brasil e América do Sul

CONTATO

Endereço

Rua Sete de Setembro, 2656 - Centro
13560-181 - São Carlos - SP - Brasil

Telefone

+ 55 (16) 3371-0112
+ 55 (16) 3372-7800

Internet

www.metrolog.net
metrolog@metrolog.net

