

THE FOLLOWING PAGE CONTAINS THE CONNECTION DETAILS

It is your responsibility to ensure that the transducer identification matches the connection details, including any RDP modification (T.M) references.

Please ensure that the transducer has not been modified or fitted with a cable or extension.

Particularly on DC-DC powered transducers, incorrect connection may cause **IRREPERABLE DAMAGE** to the transducer which is **NOT COVERED BY WARRANTY**

IF YOU ARE IN ANY DOUBT PLEASE CONTACT US



DCTH SERIES (DC to DC LVDT)



INPUT CONNECTIONS

Dual Supply	
+12 to +20V Input	RED
-12 to -20V Input	BLUE
0V Common I/P, O/P	BLACK
Instrument Ground	SHIELD

Single Supply *	
+24 to +40V Input	RED
Supply Negative	BLUE
Instrument Ground	SHIELD

* SUPPLY MUST BE FULLY FLOATING
OUTPUT COMMON FLOATS AT $V_s/2$

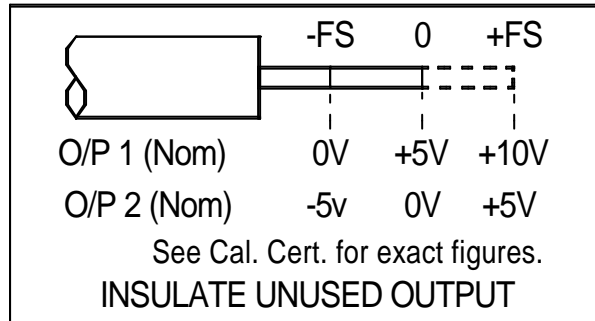
OUTPUT CONNECTIONS

1. 0-10V	YELLOW
2. $\pm 5V$	GREEN
COMMON	BLACK

NOTE : If only Output 2 ($\pm 5V$) is required then the supply minimum can be $\pm 10V$ (dual) or 20V (single).

LOAD IMPEDANCE : **OUTPUT 1** 10k (min) at 24V supply.
2K (min.) at 30V and higher supply
OUTPUT 2 2k (min.)

SUPPLY : Smooth d.c. voltage 30mA typical.



NOTE :
INCORRECT CONNECTION OR EXCESSIVE SUPPLY VOLTAGE MAY CAUSE IRREPARABLE DAMAGE WHICH CAN INVALIDATE THE WARRANTY. CONTACT OUR SALES DEPARTMENT IF YOU REQUIRE ASSISTANCE.

RDP U.K.
Tel 01902 457512
Fax 01902 452000



Certificate No. FM 13141
BS EN ISO 9001:2000

**MADE IN THE
UNITED KINGDOM**

Doc. Ref. WDUK1116
ISSUE 6 - 16 DEC 2003

RDP U.S.A.
Tel 610 469 0850
Fax 610 469 0852

Distribuidor

Brasil e América do Sul

CONTATO

Endereço

Rua Sete de Setembro, 2656 - Centro
13560-181 - São Carlos - SP - Brasil

Telefone

+ 55 (16) 3371-0112
+ 55 (16) 3372-7800

Internet

www.metrolog.net
metrolog@metrolog.net

