

DAS-XX-CB-GE

Description

This inclinometer module is available with one or two measurement axes. The inclinometer working principle is based on a micromachined silicon capacitive transducer (developed with MEMS technology). This inclinometer features a ultra-compact design (actual height is only 15mm) and low cost. Typical application are cranes, aerial platforms, drilling machines, excavators, robotics and mobile equipment.

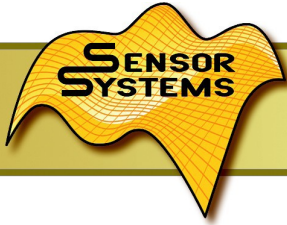


Features

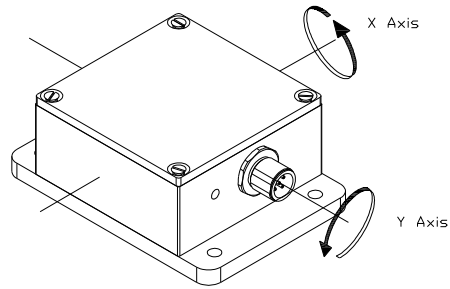
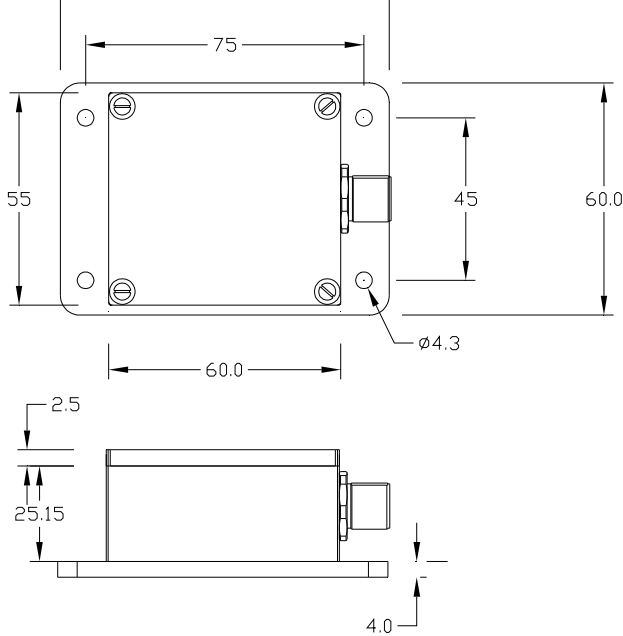
- Inclination sensor one or two axis;
- MEMS primary sensor;
- Angular range: two axis $\pm 10^\circ \dots \pm 45^\circ$;
- CAN interface 2.0 B, ISO11898;
- No moving parts;
- Anodized Aluminum Housing;
- Protection IP65 (IP 67 optional);
- Electronics encapsulated with resin;
- Connector exit;
- Operating status LED.

Technical specifications

Measuring range	°	$\pm 10^\circ$ to $\pm 45^\circ$
Input voltage	Volt	10 to 30
Output	-	CAN interface 2.0 B, ISO11898-2
Current consumption	mA	< 80 mA
Linearity	% F.S.	0.3 ($\pm 10^\circ$ range) 0.5 ($\pm 45^\circ$ range)
Resolution	°	0.01
Temperature compensated Range	° C	-20 ÷ +60
Stocking Temperature	° C	-25° + 85°
Frequency Response	s	0.3 (factory calibrated)

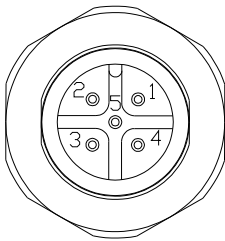


Dimensions and mounting



Mounting:
Horizontal
Fixing:
4xM 4 screws.
Tilt:
positive rotation
shown in figure

Connections



CONNECTOR
BINDER
MALE SOCKET M 12X 1
TYPE 09-3441-88-05

- 1. gnd
- 2. Supply Voltage
- 3. CAN_GND
- 4. CAN_H
- 5. CAN_L

Ordering informations

Ordering Information	
DAS-XX-CB-GE	
_____	Measuring range: ±10° ±45°
_____	CB canbus output

