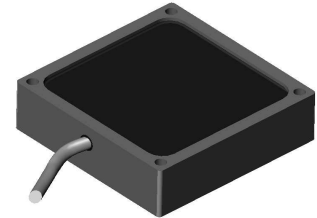


DAS-MP

Description

This inclinometer module is available with one or two measurement axes. The inclinometer working principle is based on a micromachined silicon capacitive transducer (developed with MEMS technology). This inclinometer features an ultra-compact design (actual height is only 15mm) and low cost. Typical applications are cranes, aerial platforms, drilling machines, excavators, robotics and mobile equipment.



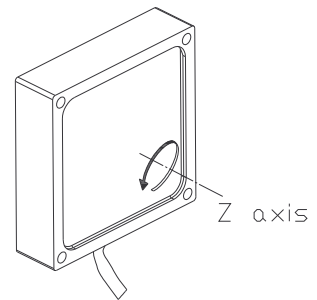
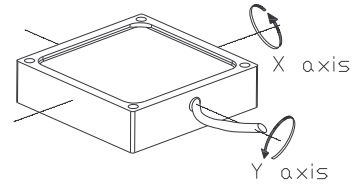
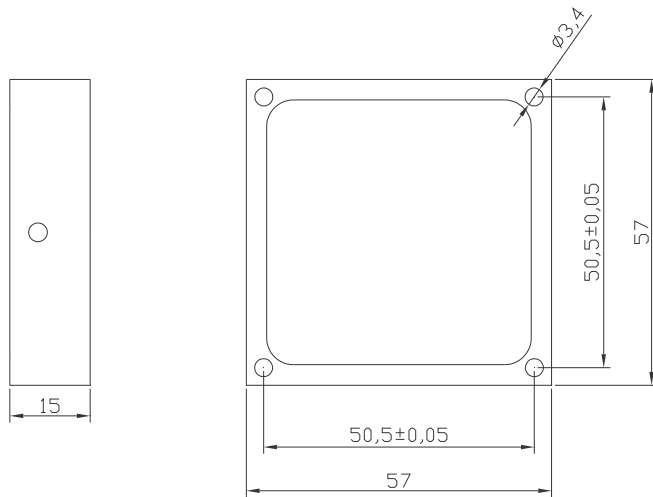
Features

- Inclination sensor one or two axis;
- MEMS primary sensor;
- Angular range two axis $\pm 5^\circ \dots \pm 60^\circ$ DAS-MP-O;
- Angular range one axis from 0 to 360° DAS-MP -V;
- Output 0.5 – 4.5 Volt;
- No moving parts;
- Anodized aluminum Housing;
- Protection IP67;
- Electronics encapsulated with resin.
- Cable output.

Technical specifications

Measuring range	°	$\pm 5^\circ$ to $\pm 60^\circ$ (programmable) Type O 0° to 360° single axis Type V
Input voltage	Volt	10 to 30 (max 32)
Output	-	0.5 ÷ 4.5 V
X-Y out zero	-	2.5 V +/- 50 mV
Non linearity	% F.S.	max 1
Resolution	°	0.005 to 0.02 type O 0.01 type V
Insulation Resistance	MOhm	> 100 @500Vdc
Temperature compensated Range	°C	-0 ÷ +60 -20° ÷ +70°
Stocking Temperature	°C	-40° + 80°
Frequency Response	s	0.1 (factory calibrated)
Zero temperature drift T 0°C- 60°C	°/°C	< 0.005
Temperature Sensitivity drift T 0°C –60°C	°/°C	< 0.002
Shock resistance	MIL- STD 202 E 213 B	1000 g
Vibration resistance	MIL STD 202E 204 D	20 g (10 to 2000 Hertz)

Dimensions and mounting



Connections

Double axis configuration (Horiz. axis)	
brown	V supply
black	Vy out
white	Vx out
blue	Gnd

Single axis configuration (Vert. axis)	
RED	V supply
GREEN	Ground
BLUE	Output

Ordering informations

Ordering Information	
DAS-XXX-MP-X	
_____	Measuring range: 0°-360° (V version) ±5° ±60° (□ version)
_____	V: for vertical mounting (1 axis) , □: for Horizontal mounting (2 axis)