

THE FOLLOWING PAGE CONTAINS THE CONNECTION DETAILS

It is your responsibility to ensure that the transducer identification matches the connection details, including any RDP modification (T.M) references.

Please ensure that the transducer has not been modified or fitted with a cable or extension.

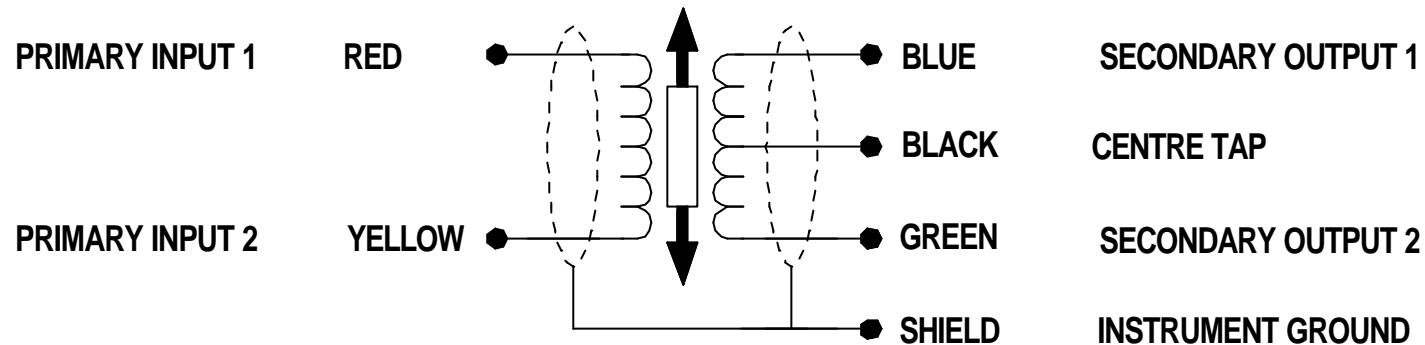
Particularly on DC-DC powered transducers, incorrect connection may cause **IRREPERABLE DAMAGE** to the transducer which is **NOT COVERED BY WARRANTY**

IF YOU ARE IN ANY DOUBT PLEASE CONTACT US



D5 SERIES WITH CABLE (LVDT)

CONNECTION DETAILS



NOTE :

The BLACK wire is not required when used with RDP instrumentation. If not used the BLACK wire should be insulated from any other wires or connections including the cable shield.

ENERGISING SUPPLY : 0.5 to 7V r.m.s. 5kHz.

SENSITIVITY : Refer to RDP Calibration Certificate.

CALIBRATED : 5V, 5kHz energisation into 100k Ohms.

PHASING : YELLOW and GREEN are in phase with the armature fully extended.

RDP U.K.
Tel 01902 457512
Fax 01902 452000



Certificate No. FM 13141
BS EN ISO 9001:2000

**MADE IN THE
UNITED KINGDOM**

Doc. Ref. WDUK1050
ISSUE 2 - 16 DEC 2003

RDP U.S.A.
Tel 610 469 0850
Fax 610 469 0852

Distribuidor

Brasil e América do Sul

CONTATO

Endereço

Rua Sete de Setembro, 2656 - Centro
13560-181 - São Carlos - SP - Brasil

Telefone

+ 55 (16) 3371-0112
+ 55 (16) 3372-7800

Internet

www.metrolog.net
metrolog@metrolog.net

