

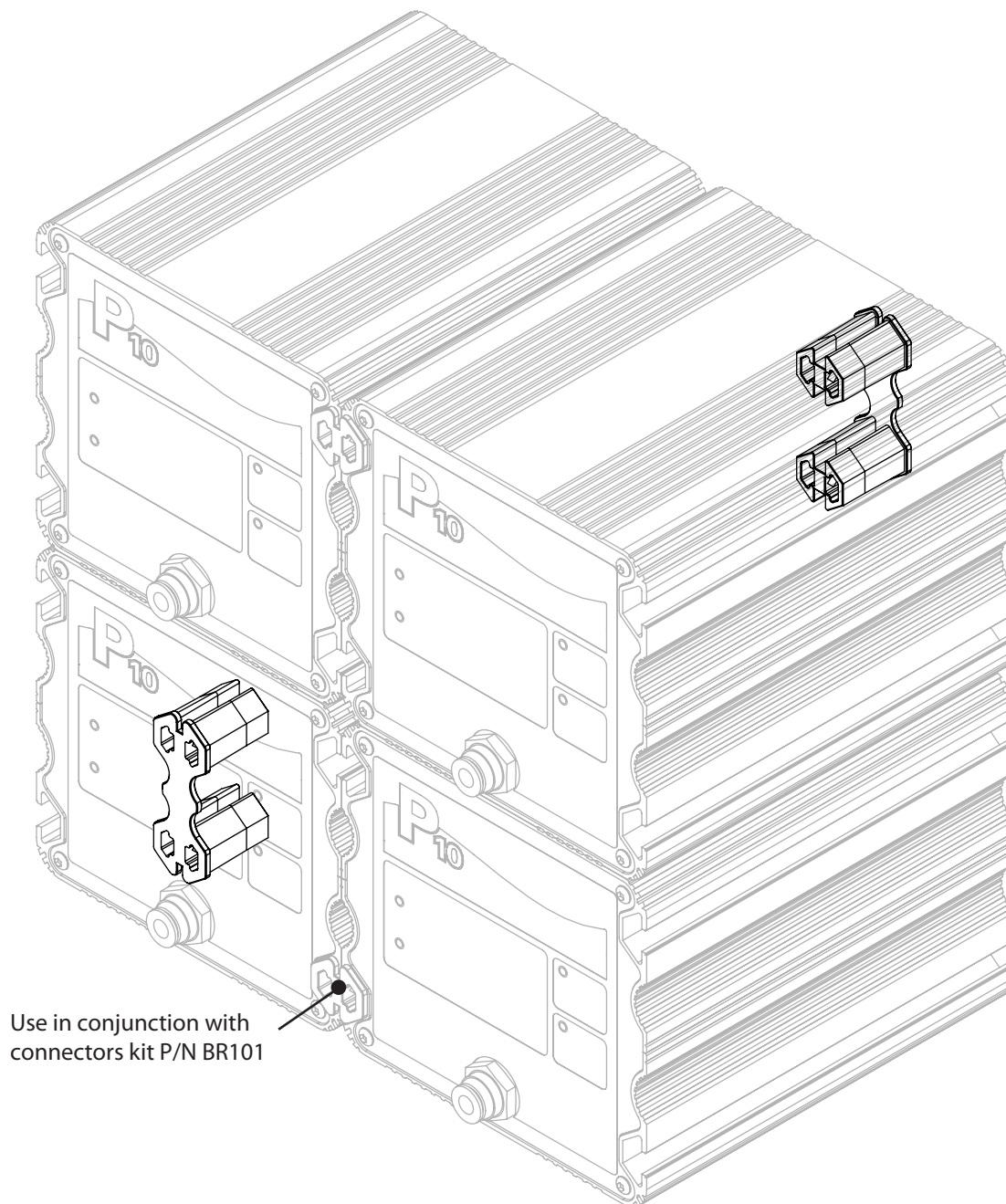
Compatibilidade

Metrolog P10 Series smart pneumatic valve (vertical mount of 2 sets of 2 units)

Order code: **BR102**

Additional documentation: www.metrolog.net/p10

Assembly



Use in conjunction with connectors kit P/N BR101

- Kit composed of 2 P/N PAR170320-015 connectors - Quad-T connector
- Position the connectors in the indicated locations and apply pressure to lock
- Use a plier to remove connectors