

## Compatibility

---

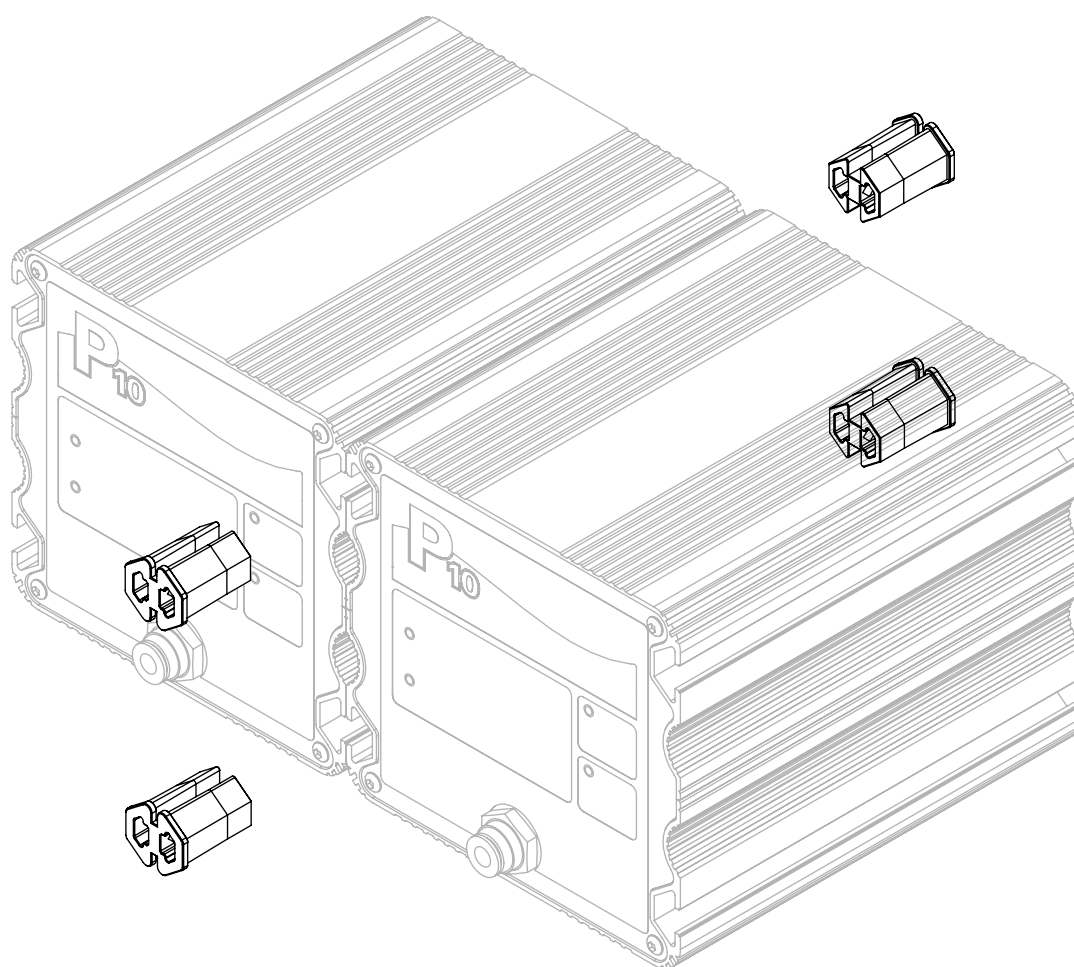
Metrolog P10 Series smart pneumatic valve (2 units)

Order code: BR101

Additional documentation: [www.metrolog.net/p10](http://www.metrolog.net/p10)

## Assembly

---



- Kit composed of 4 P/N PAR170320-014 connectors - Double-T connector
- Position the connectors in the indicated locations and apply pressure to lock
- Use a plier to remove connectors